

# ergotron<sup>®</sup>

*moving you forward*

## **Neo-Flex<sup>®</sup> LCD and Laptop Carts**

- LCD pans side-to-side for closer access; arm also reaches low for people wearing bifocals or using a tablet PC
- Front handle on worksurface, premium casters, and lightweight design enables cart to easily maneuver into tight spaces
- Flexible, open architecture design is ready for the computer equipment of today and tomorrow
- Constant Force patented lift technology provides fluid, one-touch adjustment
- Work sitting or standing with the ergonomic height adjustment range
- Barcode scanner holder provides easy access to hand-held scanner
- Includes 3-year warranty



## AFFORDABLE, MOBILE ERGONOMIC COMPUTING

Designed for manufacturing floors, clinical documentation, labs, distribution centers, and high activity areas, the lightweight Neo-Flex Cart transforms any space into a productive, sit-stand computing environment. Creating an optimal platform for point-of-need data input, the Neo-Flex cart helps improve viewing comfort, and increases user accuracy and productivity while supporting wireless initiatives.



The Neo-Flex LCD Cart features Ergotron's Constant Force patented lift technology, 27" (68 cm) height range, independent adjustment for LCD Arm, 65° screen tilt and large worksurface.

The Neo-Flex Laptop Cart features Ergotron's Constant Force patented lift technology, 20" (51 cm) effortless lift range, and an integrated laptop security system for theft deterrence and stability.

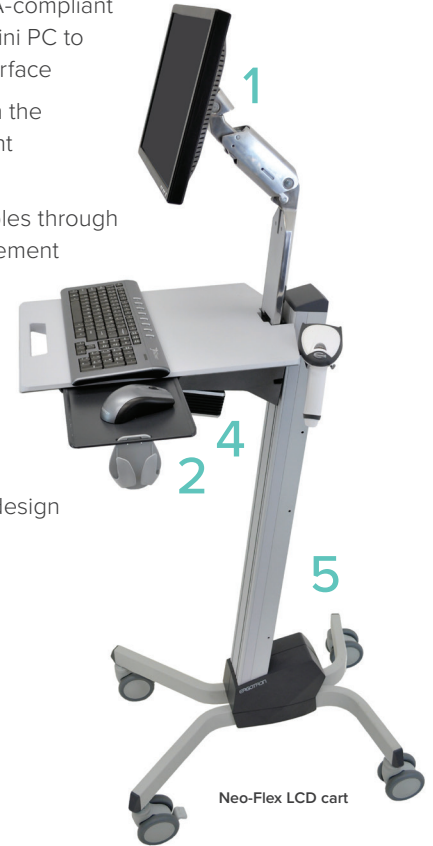
# Neo-Flex® LCD and Laptop Carts

FLEXIBLE, OPEN ARCHITECTURE DESIGN SUPPORTS THE MOBILE COMPUTING NEEDS OF TODAY—AND TOMORROW.

- 1 Integrated security system for 12-17" laptops, allows cooling airflow, works with port-replicators, avoids use of adhesive and Velcro, uses unique security fastener and driver
- 2 Worksurface: 16,5" W x 20,5" D (42 x 52 cm)
- 3 Power brick mounts under worksurface in cable storage area
- 4 Durable, easy-to-clean exterior composed of aluminum, high-grade plastic and zinc-plated/ powder coated painted steel
- 5 Includes mounting bracket for power strip and cable wrap
- 6 Cables along main column are secured with zip-ties at provided attachment points
- 7 Wheel-to-wheel base: 17,5" x 22,8" (44 x 58,2 cm)  
Patented Constant Force lift-and-pivot motion technology



- 1 LCD pans side-to-side for closer access; arm also reaches low for people wearing bifocals or using a tablet PC
  - 2 Conveniently attaches VESA-compliant (75 x 75 or 100 x 100 mm) mini PC to the underside of the worksurface
  - 3 Work sitting or standing with the ergonomic 27" (68 cm) height adjustment range
  - 4 Safe and neat routing of cables through the expansive cable management storage area
- Constant Force patented lift technology provides fluid, one-touch adjustment
- Lightweight, actual cart weighs under 38 lbs (17 kg)
- 5 Flexible, open architecture design



## SUGGESTED ACCESSORIES:



NF CART LAPTOP VERTICAL  
KIT 97-546



NF CART HANDLE AND  
BASKET KIT 97-545 (GREY)



UNIVERSAL CPU HOLDER  
80-105-064 (DARK GREY)



NF CART WIRE BASKET KIT  
97-544

### Neo-Flex Laptop Cart

### Neo-Flex LCD Cart

Part # (color)	24-205-214 (two-toned grey)	24-206-214 (two-toned grey)
Typical LCD size	≤ 12-17" See website for details	≤ 22"
<small>LCD SIZE IS APPROXIMATION. DIMENSION IS DIAGONAL MEASUREMENT OF SCREEN. LCD SIZE MAY BE EXCEEDED AS LONG AS SCREEN WEIGHT DOES NOT EXCEED MAXIMUM WEIGHT CAPACITY OF THE MOUNT</small>		
Compatible Displays	Almost any notebook computer, with or without docking station	Accommodates most VESA compatible monitors, up to 12 pounds
Lift	20" (50,8 cm)	27" (68,6 cm)
Tilt	—	65° See website for details
Pan	—	180°
Rotation	—	360°
Weight Capacity	≤ 15 lbs (≤ 6,8 kg) See website for details	≤ 26 lbs (≤ 11,8 kg) See website for details
Product Weight	33,8 lbs (15,4 kg)	38,8 lbs (17,6 kg)
Shipping Weight	120 lbs (54,5 kg)	56 lbs (25,4 kg)
Shipping Dimensions	21,75" x 15" x 45,25" (55,2 x 38 x 115 cm)	
Warranty	3 years	

Download additional resources at [ergotron.com](http://ergotron.com).

For more information:

NORTH AMERICA: 800.888.8458 / +1.651.681.7600 / [insidesales@ergotron.com](mailto:insidesales@ergotron.com)

EMEA: +31.33.45.45.600 / [info.eu@ergotron.com](mailto:info.eu@ergotron.com)

APAC: [apaccustomerservice@ergotron.com](mailto:apaccustomerservice@ergotron.com)

Custom: [custom@ergotron.com](mailto:custom@ergotron.com)

© Ergotron, Inc. 03.17.2020

Literature made in the U.S.A.

Content subject to change.

Ergotron devices are not intended to cure, treat, mitigate or prevent any disease.

Patent information available at [www.ergotron.com/patents](http://www.ergotron.com/patents).

