

# SmartMount® Universal Tilt Wall Mount

For 13" to 37" (33-94 cm) LCD Screens

## MODELS

### Universal Models:

Includes theft resistant hardware for attaching screen to mount

**ST635** Black  
**ST635-S** Silver

Includes standard hardware (hex or Phillips) for attaching screen to mount

**ST635P** Black  
**ST635P-S** Silver

## SCREEN ADAPTER



### Mounting pattern

**Universal Models:** 9.65" W x 9.48" H  
(245 x 240 mm)



### VESA® pattern

**Universal Models:** 75, 100, 200 x 100  
and 200 x 200 mm

## SPECIFICATIONS



### Distance from wall

2.65" (67 mm)



### Tilt

+15/-5°



### Max load

125 lb (56 kg)

### Product Dimensions (W x H x D)

10.99" x 10.3" x 2.65"  
(279 x 262 x 67 mm)

### Mounting Surfaces

Wood stud, concrete, cinder block and metal stud  
(Metal stud accessory required)

### Ship Weight

6.6 lb (2.99 kg)

## CERTIFICATIONS



## ACCESSORIES



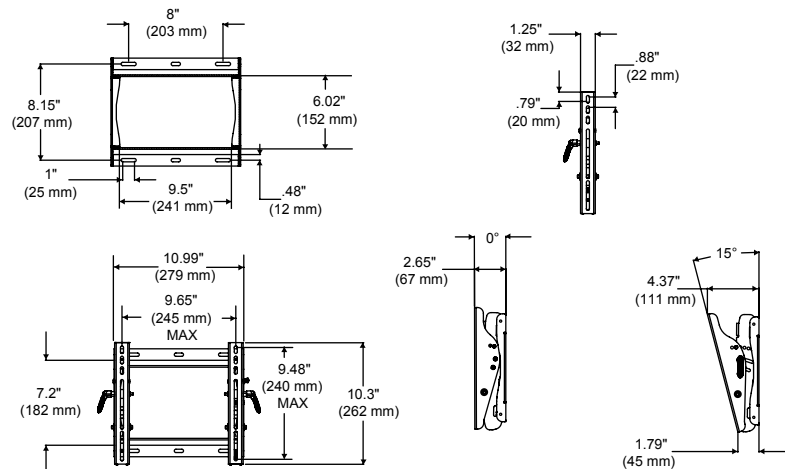
**ACC215:**  
2-pack Metal Stud  
Fastener Kit ..... pg# 126

1. Open wall plate design allows for total wall access, increasing electrical and cable management options
2. Optional tilt lock in 5° increments
3. Easy-grip ratcheting handle locks angle into place
4. Universal screen adapters easily hook onto wall plate for fast installation
5. Fits screens with mounting hole patterns: 9.65"W x 9.48"H (245 x 240 mm), including VESA® 75, 100, 200 x 100, and 200 x 200 mm



## TECHNICAL DRAWINGS

For expanded product information and technical data visit [www.peerlessmounts.com](http://www.peerlessmounts.com)



To verify mount compatibility with any LCD, plasma or projector model use MountFinder™ at [www.peerlessmounts.com](http://www.peerlessmounts.com)



CLICK: [www.peerlessmounts.com](http://www.peerlessmounts.com)



CALL: 800.865.2112



FAX: 708.865.2941