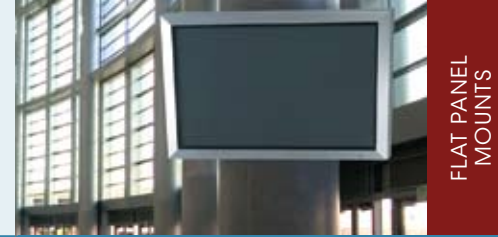


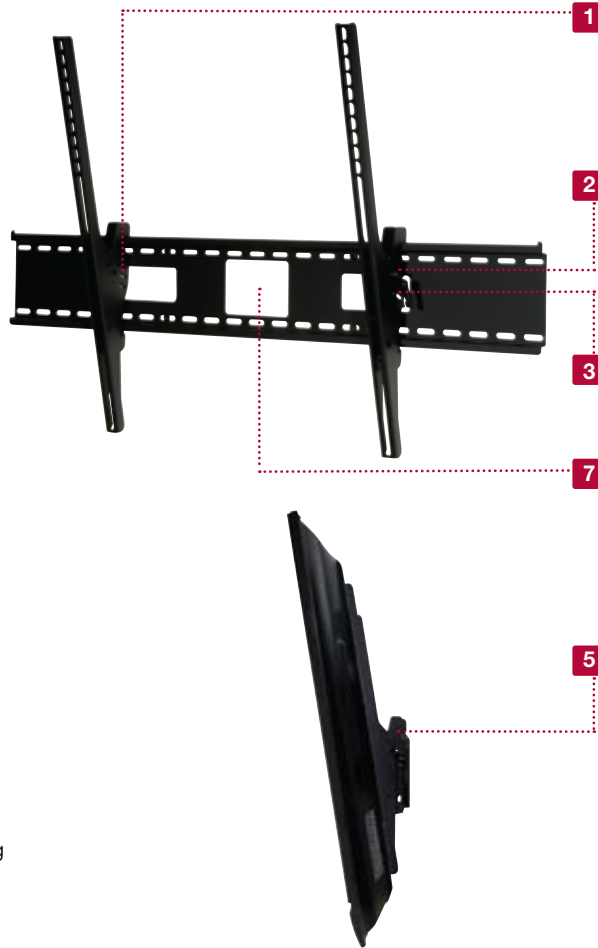
SmartMount® Universal Tilt Wall Mount

For 61" to 102" (155-259 cm) LCD and Plasma Screens



FLAT PANEL MOUNTS

1. Pre-tensioned universal tilt adapters allow for +15/-5° tilt adjustment in one easy motion
2. Optional tilt lock in 5° increments
3. Easy-grip ratcheting handle locks angle into place
4. Horizontal screen adjustment up to 12" (304 mm)
5. Universal screen adapters easily hook onto wall plate for fast installation
6. Fits screens with mounting hole patterns of 44.04"W x 29.31"H (1119 x 745 mm)
7. Wall plate knockouts provide wall access improving cable management options
8. Supports M10 mounting bolts



MODELS

Universal Models:

Includes theft resistant hardware for attaching screen to mount	
ST680	Black
ST680-S	Silver
Includes standard hardware (hex or Phillips) for attaching screen to mount	
ST680P	Black
ST680P-S	Silver

SCREEN ADAPTER



Mounting pattern

Universal Models: 44.04" W x 29.31" H (1119 x 745 mm)

SPECIFICATIONS



Distance from wall

3.07" (78 mm)



Tilt

+15/-5°



Max load

350 lb (158 kg)

Product Dimensions (W x H x D)

45.75" x 30.25" x 3.07" (1162 x 768 x 78 mm)

Mounting Surfaces

Wood stud, concrete, cinder block and metal stud (Metal stud accessory required)

CERTIFICATIONS



ACCESSORIES



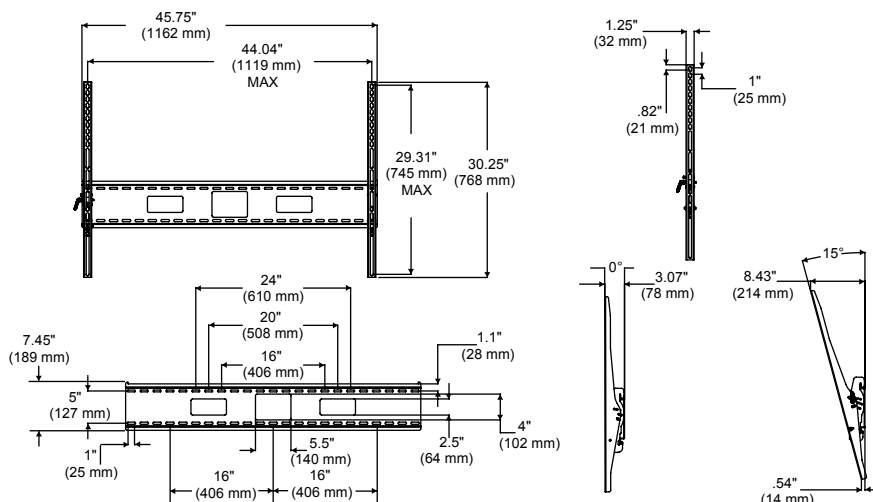
ACC615:
6-pack Metal Stud Fastener Kit pg# 126



ACC309:
Video Conference Shelf pg# 110

For expanded product information and technical data visit www.peerlessmounts.com

TECHNICAL DRAWINGS



To verify mount compatibility with any LCD, plasma or projector model use MountFinder™ at www.peerlessmounts.com



CLICK: www.peerlessmounts.com



CALL: 800.865.2112



FAX: 708.865.2941