



SmartMount® Pivot Wall Mount

For 22" to 40" (55-102 cm) LCD Screens

MODELS

Universal Models:

Includes standard hardware (hex or Phillips) for attaching screen to mount

SP740P High gloss black
SP740P-S High gloss silver

SCREEN ADAPTER



VESA® pattern

Universal Models: 75, 100, 200 x 100 and 200 x 200 mm

SPECIFICATIONS



Distance from wall

2.99"-11.8" (75-300 mm)



Tilt | Swivel | Roll

+15/-5° | ±90° | ±5°



Max load

80 lb (36 kg)

Product Dimensions

(W x H x D)
8.75"-13.75" x 8.75" x 2.9"-11.8"
(222-349 x 222 x 75-300 mm)

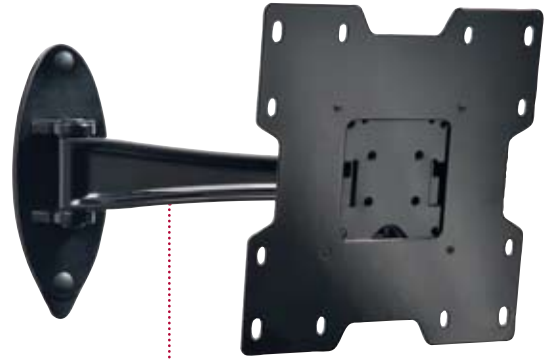
Mounting Surfaces

Wood stud, concrete, cinder block and metal stud
(Metal stud accessory required)

Ship Weight

6.7 lb (3 kg)

1. Arm extends up to 11.8" (300 mm) from wall (plus thickness of screen adapter)
2. One-touch tilt allows adjustment of +15/-5° without the use of tools
3. Up to ±90° of side-to-side swivel
4. ±5° of roll to level screen horizontally
5. Integrated cable management keeps cables and cords out of the way
6. VESA® 75, 100, 200 x 100 and 200 x 200 mm compliant
7. Non-VESA® adapter plates also available



1



5

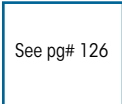
CERTIFICATIONS



ACCESSORIES



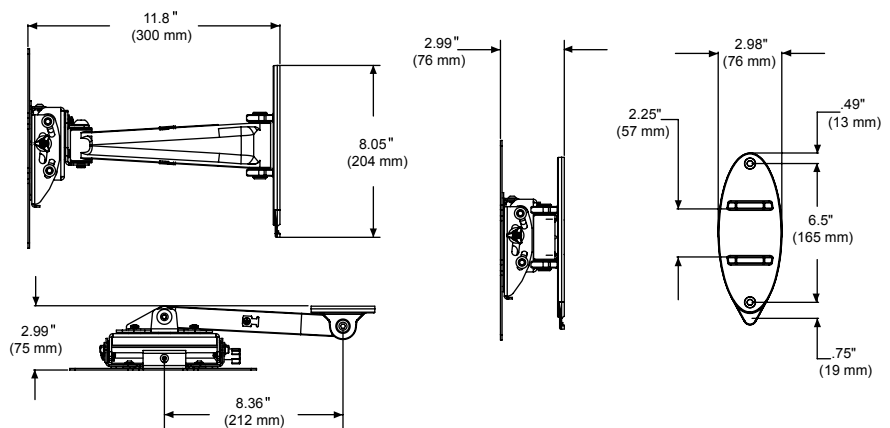
ACC919:
Security Fasteners pg# 128



See pg# 126 **WSP700:**
Metal Stud Wall Plate pg# 126

TECHNICAL DRAWINGS

For expanded product information and technical data visit www.peerlessmounts.com



To verify mount compatibility with any LCD, plasma or projector model use MountFinder™ at www.peerlessmounts.com



CLICK: www.peerlessmounts.com



CALL: 800.865.2112



FAX: 708.865.2941