

SmartMount® Articulating Wall Arm

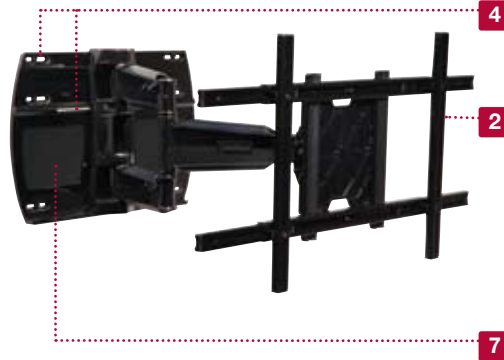
For 32" to 58" (81-147 cm) LCD and Plasma Screens



FLAT PANEL MOUNTS

1. Arm extends up to 27.8" (706 mm) from wall (plus thickness of screen adapter)
2. Universal models accommodate screens with mounting holes up to 30.13" W x 17.24" H (765 x 437 mm)
3. U-groove channel and caps provide 1" (25.4 mm) clearance per channel for clean and simple cable management
4. Up to 10.75" (213 mm) total horizontal adjustment
5. One-touch tilt allows adjustment of +15/-5° without the use of tools
6. Built-in cable ties control cables and cords with movement of arm
7. Two knockouts in wall plate for optimal electrical access
8. ±2.5° roll to level screen horizontally
9. Allows portrait or landscape screen orientation without removing the screen

Universal Models

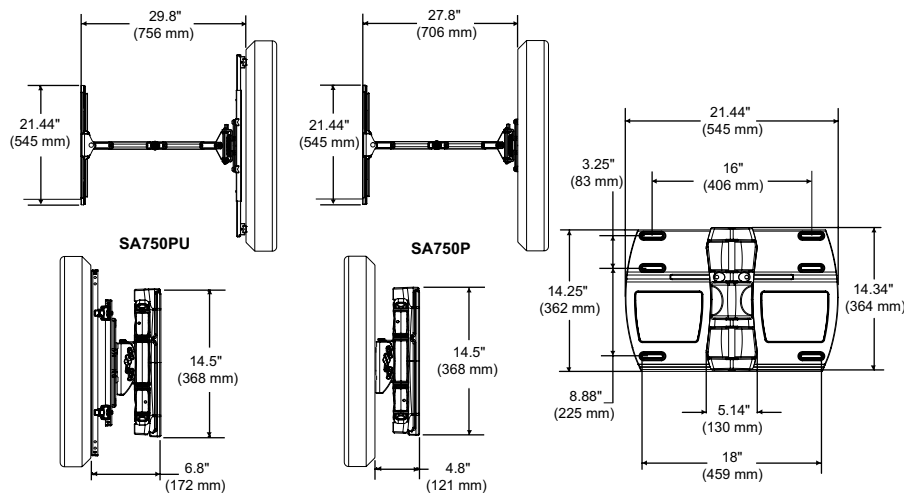


Dedicated Models



For expanded product information and technical data visit www.peerlessmounts.com

TECHNICAL DRAWINGS



MODELS

Universal Models:

Includes standard hardware (hex or Phillips) for attaching screen to mount

SA750PU High gloss black
SA750PU-S High gloss silver

Dedicated Models:

Includes standard hardware (hex or Phillips) for attaching screen to mount
Screen Adapter Purchased Separately for Non-VESA® Screens*

SA750P High gloss black
SA750P-S High gloss silver

* Dedicated adapter plates come in flat black and include security fasteners

SCREEN ADAPTER



Mounting pattern

Universal Models: 30.13" W x 17.24" H
(765 x 437 mm)



VESA® pattern

Dedicated Models: 100, 200 x 100
and 200 x 200 mm

Non-VESA® compatible screens require screen-specific adapter to be purchased separately

SPECIFICATIONS



Distance from wall

Universal Models: 6.8"-29.8" (172-756 mm)
Dedicated Models: 4.8"-27.8" (121-706 mm)



Tilt | Swivel | Roll

+15/-5° | ±90° | ±2.5°



Max load

150 lb (68 kg)

Product Dimensions (W x H x D)

Universal Models: 32.87" x 18.25" x 6.8"-29.8"
(834.8 x 463.5 x 172-756 mm)

Dedicated Models: 22.75" x 14.5" x 4.8"-27.8"
(577.8 x 368.3 x 121-706 mm)

Mounting Surfaces

Wood stud, concrete, cinder block and metal stud
(Metal stud accessory required)

Ship Weight

Universal Models: 40.1 lb (18.1 kg)

Dedicated Models: 32.8 lb (14.8 kg)

CERTIFICATIONS



RoHS

ACCESSORIES



ACC615:

6-pack Metal Stud pg# 126
Fastener Kit
supports up to 110 lb (40.8 kg) screens



ACC925:

Security Fasteners pg# 128

To verify mount compatibility with any LCD, plasma or projector model use MountFinder™ at www.peerlessmounts.com



CLICK: www.peerlessmounts.com



CALL: 800.865.2112



FAX: 708.865.2941