

Clutch Operated Exterior FlexShades



Please check all appropriate selections and attach schedule with verified dimensions.

Select Fabric*

- Mermet Natte _____
- Mermet Satine _____
- Mermet Vienne _____
- Phifer SheerWeave® SW2000 _____
- Phifer SheerWeave® SW2100 _____
- Phifer SheerWeave® SW2400 _____
- Phifer SheerWeave® SW2400 _____
- Phifer SheerWeave® SW2400 _____
- Phifer SheerWeave® SW2500 _____
- Phifer SheerWeave® SW2600 _____
- Phifer SheerWeave® SW2701 _____
- Phifer SheerWeave® SW2703 _____
- Phifer SheerWeave® SW2705 _____
- Phifer SheerWeave® SW2710 _____
- Phifer SheerWeave® SW2900 _____
- Phifer SheerWeave® SW3000 _____
- Phifer SheerWeave® PW3510 _____
- Phifer SheerWeave® PW4100 _____
- Phifer SheerWeave® PW4400 _____
- Phifer SheerWeave® SW4500 _____
- Phifer SheerWeave® SW4550 _____
- Phifer SheerWeave® SW4600 _____
- Phifer SheerWeave® SW4650 _____
- Phifer SheerWeave® PW4800 _____
- Phifer SheerWeave® SW5000 _____
- Phifer SheerWeave® Suntex _____
- Phifer SheerWeave® Suntex Design _____

Color name, no., openness

Select Hardware Finish

- Clear Anodized (standard) (available with clutch only)
- Black Ivory
- White Charcoal Bronze

Select Installation Option

- Inside (head/sill, jamb/jamb)
- Outside (overlap opening)

Select Operator Location

- Select **right side (standard)** or left side
- Right Side (standard)
- Left Side

*Please see Draper's Shade Fabric Reference Sheet for fabric colors and specifications.

Select Chain and Clutch Options

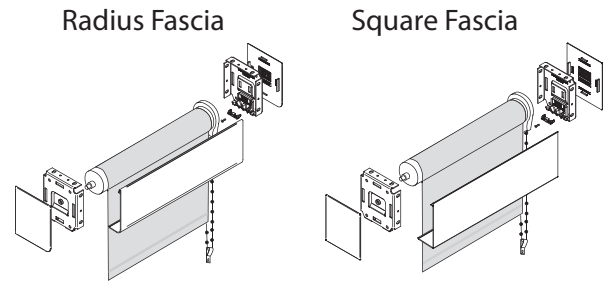
- Select Clutch Color
- White
- Black
- Optional Spring Assist (minimum shade width 48")
- Select Chain
- Stainless Steel Chain (standard)
- Polyester Chain
 - Ivory
 - Grey
 - Black
 - White
 - Brown

Select Cord Tension Device

- P-Clip Cord Tension Device
- Optional Spring Loaded Cord Tension Device

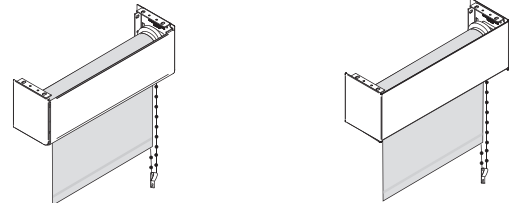
Select Hardware

- Universal Brackets (Ceiling/Wall/Inside/Outside)
- Optional Endcaps only
- Optional Fascia with Endcaps
 - Radius
 - Square
- Optional Cable Guides

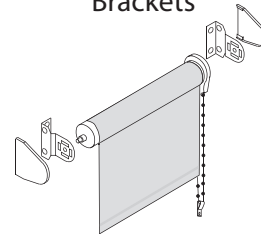


Radius Fascia

Square Fascia



Brackets



PROJECT: _____
ARCHITECT: _____
CONTRACTOR: _____
SUPPLIER: _____
DATE: _____ REVISED: _____

Specifications-Exterior FlexShades

Bead Chain Clutch Operator:

DuPont™ Zytel® nylon resin (glass fiber reinforced), black or white. Bi-directional for mounting at either end of roller. Control loop, of any length, is a plastic or stainless steel bead chain (standard). Plastic chain in ivory, grey or black. Never needs adjusting. **Right hand location standard**, left hand available. Patent pending.

Rollers: Sizes 1 1/2" dia. with .065 wall, or 2" dia. with .080 wall, in extruded aluminum. Roller assembly easily removable.

Mounting Brackets: 1018 plated steel stamping. Sizes 1 5/8" and 2 1/4". Mount to face, ceiling, or jamb. Brackets do not require additional adapters.

Roller Idler Assembly: Fiberglass reinforced polyester thermopolymer (PBT), with spring-loaded pin to interlock with mounting bracket.

Slat: Plastic, with optional end plugs to allow for passage of optional cable guides.

Endcaps: 1018 steel stamping. 2 sizes: 3 1/4" x 3 3/4" and 4 1/2" x 4 1/2". Complete with adapter roller bracket. Installs to face, ceiling, or jamb. Accepts box covers and fabric guide.

Endcap Covers: Plastic covers snap onto endcaps. Available in clear anodized, ivory, bronze, black or white to match fascia.

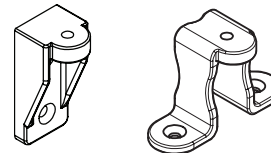
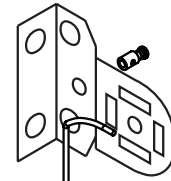
Fascia: L-shaped or radius cover of extruded aluminum, .060 wall. Assembly snaps onto endcaps without exposed fasteners. Radius fascia not available on crank-operated shades. **Clear anodized (standard)** finish or black, white, ivory or charcoal bronze powder coat finish.

Please note: Dimensions of rollers, operators and hardware at manufacturer's discretion.

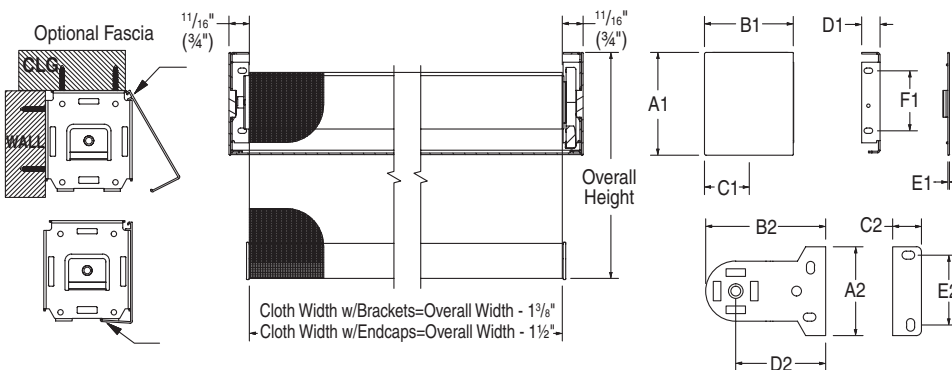
Zytel® is a registered trademark of E. I. du Pont de Nemours and Company.

DuPont™ is a trademark of E. I. du Pont de Nemours and Company.

Optional Cable Guides



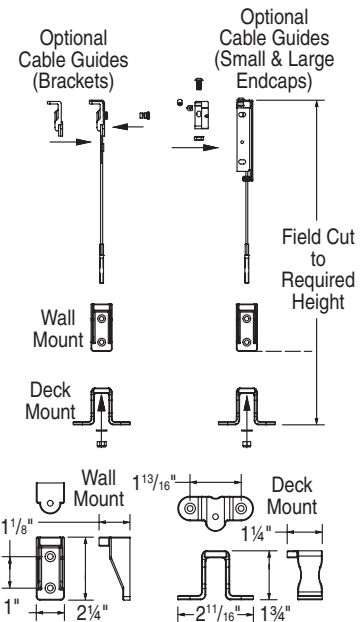
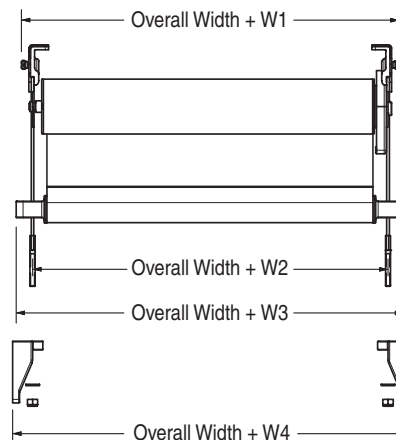
Exterior FlexShade—Clutch-Operated Dimensions



When measuring shade height, remember to include endcaps and fascia or headbox.

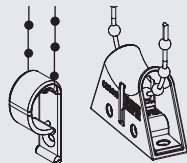
Fascia with Endcaps		Brackets Large
Small	Large	
A1 - 3 7/8"	A1 - 4 5/8"	A2 - 2 3/16"
B1 - 3 3/8"	B1 - 4 5/8"	B2 - 3"
C1 - 1 3/16"	C1 - 1 9/16"	C3 - 1 1/16"
D1 - 5/8"	D1 - 5/8"	D2 - 2 1/4"
E1 - 1/16"	E1 - 3/32"	E2 - 1 3/4"
F1 = 3"	F1 - 3 1/4"	F2 - N/A
W1 = N/A	W1 = N/A	W1 = 1/2"
W2 = 1/2"	W2 = 1/2"	W2 = 1/4"
W3 = 3/4"	W3 = 5/8"	W3 = 7/8"
W4 = 7/8"	W4 = 1"	W4 = 1 1/8"

Deductions with Optional Cable Guides



Safety Note for Bead Chain Clutch Shades

Please Note: If shades are to be installed in areas accessible to young children, be certain to use cord tension device included with Bead Chain Clutch shades. Clutch-operated shades should not be installed near cribs or playpens.



Minimum Widths for Draper Shades

- Exterior Clutch FlexShade = 6"