

# Clutch Operated FlexShade® NEXD

Window shade with heavy duty clutch and 3" hardware profile. Cassette option.

**SUBMITTAL**  
TECHNICAL INFO

Please check all appropriate selections and attach room schedule with verified dimensions.

Fabric Series: \_\_\_\_\_

Color name / Number: \_\_\_\_\_

Openness Factor: \_\_\_\_\_

Please see Draper's Shade Fabric Reference Guide for fabric colors and specifications.

## Select Hardware:

- Endcaps Only
  - Wall Mount     Ceiling Mount
- Endcaps with Fascia
  - Wall Mount     Ceiling Mount
- Cassette (Pre-Assembled: Endcaps with full width mounting extrusion)
  - Back Only     Top Only     Top & Back Only
  - (Wall Mount)    (Ceiling Mount)    (Wall or Ceiling Mount no Fascia)
- Cassette Style With Fascia
  - Back w/Fascia     Top w/Fascia     Top & Back w/Fascia
  - (Wall Mount)    (Ceiling Mount)    (Wall/Ceiling Mount w/Fascia)

## Select Clutch Location:

(As seen from INSIDE the room facing the window. Also indicate on room schedule.)

- Right (standard)
- Left

## Select Clutch Color:

- White (standard)
- Black

## Select Bead Chain Type:

- Steel Chain
  - Stainless Steel (standard)     Black Steel     White Steel
- Polyester Chain
  - Black     Bronze     White     Ivory     Grey

## Select Cord Tension Device:

- 'P'-Clip Cord Tension Device (standard)
- Spring Loaded Cord Tension Device  
(optional, but required for ANSI/WCMA A100.1 Compliance)

## Select Fabric Orientation:

- Regular Roll (from BACK of roller - Standard)
- Reverse Roll (from FRONT of roller - Not compatible with Fascia)

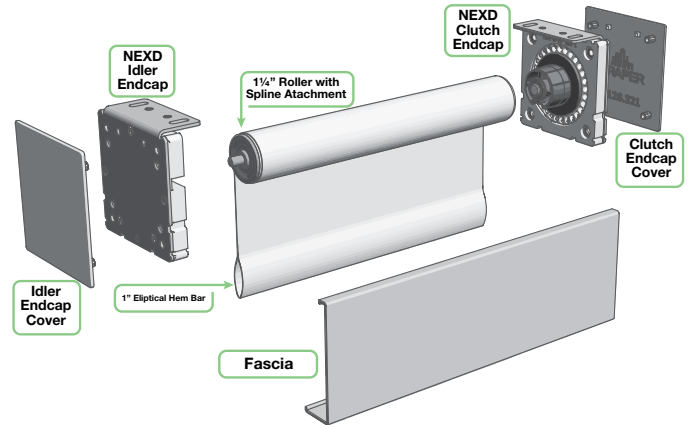
## Select Fabric Attachment:

- Spline Attachment (standard)
- LSE Adhesive

## Select Optional Side Channels for Light Gap Reduction:

(May not be compatible with all types of installations)

- 'L' Channel     'U' Channel     'H' Channel     Channel Liners



## Select Hardware Finish:

- Clear Anodized     Black     White     Ivory     Bronze (standard)

## Select Hem Bar Style:

- Closed Pocket - 1" Elliptical Slat (standard)
- Open Pocket - 1" Elliptical Slat
- Small Flat Exposed Hem Bar
- Large Flat Exposed Hem Bar
- Round Exposed Hem Bar

## Available Sizes\* :

HEIGHT	WIDTH							
	2	3	4	5	6	7	8	9
2'								
3'								
4'								
5'								
6'								
7'								
8'								
9'								



Draper, Inc. | 411 S. Pearl St. Spiceland, IN 47385  
draperinc.com | 765.987.7999 | 800.238.7999

© 2018 All Rights Reserved | FORM: FlexShade\_NEXD\_Sub18

PROJECT: \_\_\_\_\_

ARCHITECT: \_\_\_\_\_

CONTRACTOR: \_\_\_\_\_

SUPPLIER: \_\_\_\_\_

DATE: \_\_\_\_\_ REVISED: \_\_\_\_\_

## Specifications

### EQUIPMENT

**NEXD CLUTCH OPERATOR:** Delrin® POM thermoplastic with swaged .354" (9 mm) primary steel post with rotational bearing to ensure smooth and quiet operation. Overrunning design. Positive mechanical engagement of drive mechanism to tube. White (standard) or black color options. Stainless steel bead chain (standard). Ivory, grey, black, white brown polyester chain available.

**ROLLERS:** Extruded aluminum 1¼" (32mm) and 1½" (38mm) diameter roller tube as appropriate for shade.

### COMPONENTS

**ENDCAPS:** 1018 steel stamping. 3" W x 3 3/8" H (76mm x 81mm). Installs to face, ceiling, or jamb. Field convertible between wall left, wall right or ceiling mount. Idler endcaps to have levelling adjustment

**ENDCAP COVERS:** Plastic covers push into endcaps for positive engagement. Available in ivory, bronze, black, silver or white to match fascia.

**HEM BAR: CLOSED POCKET ELLIPTICAL SLAT:** 1" (25mm) aluminum elliptical slat inside of a 1 5/8" (41mm) pocket with heat sealed ends. **OPEN POCKET ELLIPTICAL SLAT:** 1" (25mm) aluminum elliptical slat with plastic ends inside of a 1 5/8" (41mm) pocket. **FLAT EXPOSED HEM BAR: SMALL:** 7/8" x 5/16" (22mm x 8mm) and **LARGE:** 1½" x 7/16" (38mm x 8mm) aluminum rectangular hem bar with plastic end caps. Powder coated in black, bronze, ivory, white or clear anodized.

**FABRIC ATTACHMENT:** Spline fabric attachment (standard) allows removal of fabric panel without removal of roller assembly LSE Adhesive fabric attachment available upon request.

**FASCIA:** Optional L-shaped cover of 6063-T5 extruded aluminum. Assembly snaps onto endcaps without exposed fasteners. Clear anodized finish (standard) or ivory, bronze, black or white powder coat.

**CASSETTE HEADBOX:** Standard consists of fascia and two interlocking extrusions that form a back/top cover. Suitable for pocket installation. **SIZE:** 3½" H x 3 3/8" W (89 x 86mm). Clear anodized (standard) finish or black, white, ivory or bronze powder coat finish.

**CASSETTE EXTRUSION:** Extruded aluminum. 2 7/8" x ¼" (73mm x 6mm). Assembly attached to endcaps by fasteners concealed by endcap covers.

**CASSETTE MOUNTING BRACKETS:** Spring loaded zinc die-cast and plastic.

**L ANGLE:** ¾" x 1" x 12'3" (1.9 x 2.5 x 373cm), 1" x 2¾" x 16' (2.5 x 8.3 x 487cm) or cut to length;

**U CHANNEL:** 1" x 2½" x 16' (2.5 x 7.6 x 487cm) or cut to length;

**H CHANNEL:** 1" x 5" x 16' (2.5 x 12.7 x 487cm) or cut to length;

Accepts side edges of fabric, prevents light gaps. Interior of channel provides for use of flat head screws. May not be compatible with all installations.

### PATENT INFORMATION:

available at [www.draperinc.com/legal/patents](http://www.draperinc.com/legal/patents)

### DOWNLOADABLE 3-PART SPECIFICATIONS:

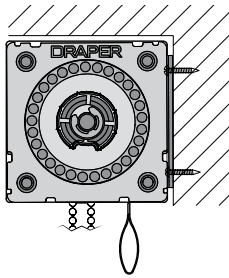
available at [www.draperinc.com](http://www.draperinc.com).

**Please note:** Dimensions of rollers, operators and hardware at manufacturer's discretion.

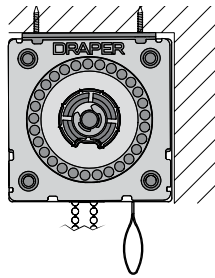
## Mounting Hardware Selections

Please Note: Brackets and endcaps have the only attachment points for mounting a motorized FlexShade. Optional fascia and headbox have a thickness of 1/8".

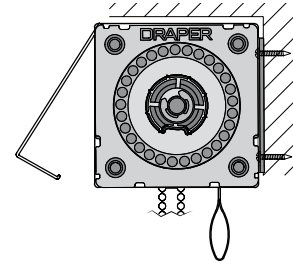
**Wall Mount**



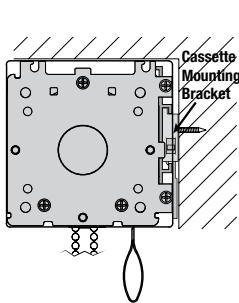
**Ceiling Mount**



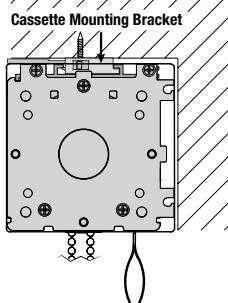
**Fascia Only with Ceiling or Wall Mount (Wall Mount Shown)**



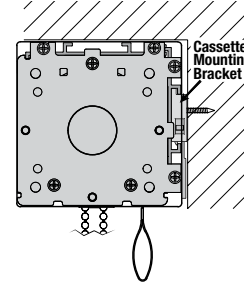
**Cassette Wall Mount**



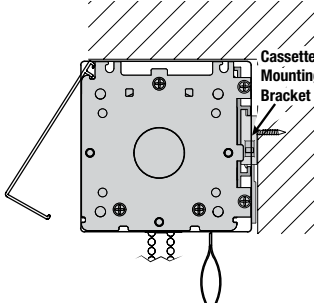
**Cassette Ceiling Mount**



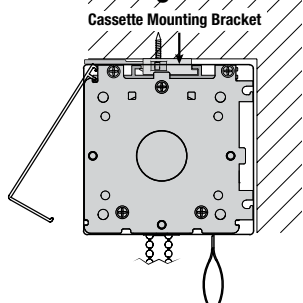
**Cassette Top/Back Wall or Ceiling Mount (Wall Mount Shown)**



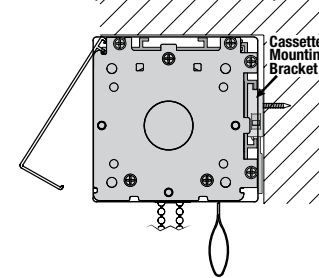
**Cassette w/ Fascia Wall Mount**



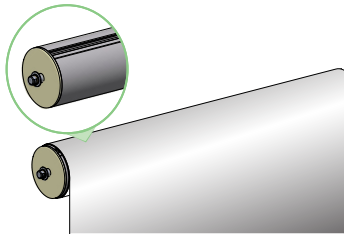
**Cassette w/Fascia Ceiling Mount**



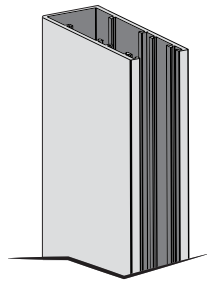
**Cassette w/Fascia Top/Back Wall or Ceiling Mount (Wall Mount Shown)**



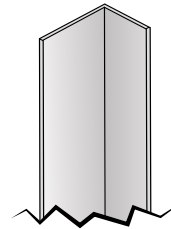
Spline Fabric Attachment



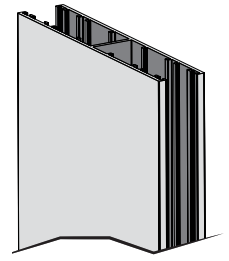
"U" Channel



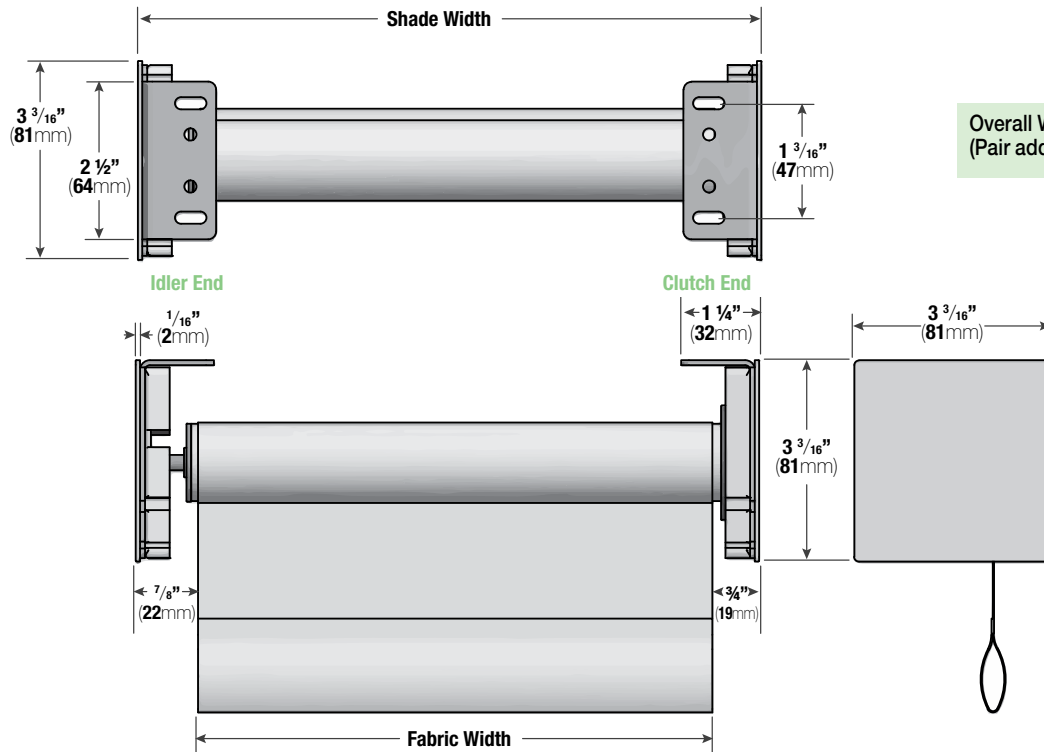
"L" Angle



"H" Angle



## Clutch Operated FlexShade NEXD Dimensions

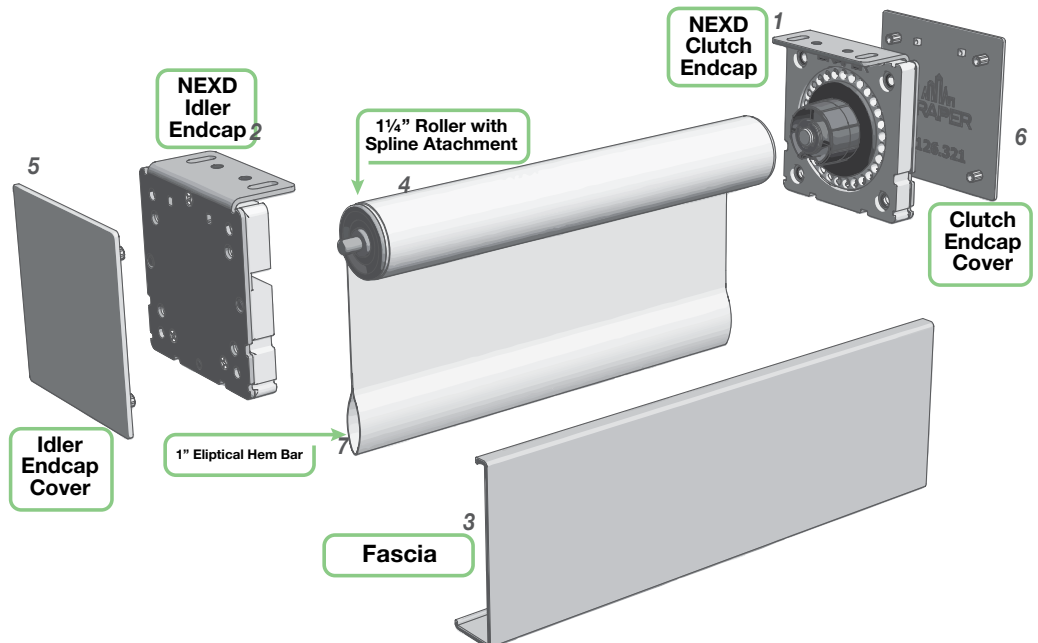


Overall Width includes plastic endcap covers (Pair adds 1/8" (3mm) to Overall Width)

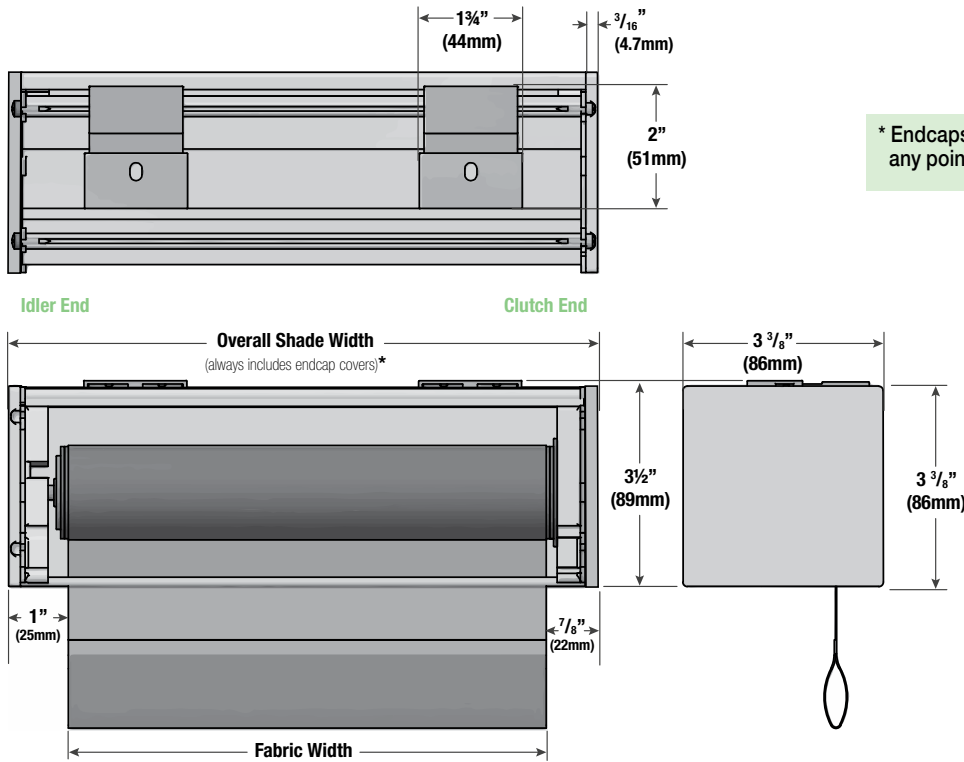
**PLEASE NOTE:**  
When measuring shade height, remember to include endcaps and fascia or headbox.

### 3" NEXD Components

- 1 NEXD 3" Clutch
- 2 NEXD 3" Idler with roller leveling
- 3 Fascia
- 4 1 1/4" Roller with Spline Attachment
- 5 Idler Endcap Cover
- 6 Clutch Endcap Cover
- 7 1" Elliptical Hem Bar



## NEXD Cassette Dimensions



\* Endcap covers are NOT to be removed at any point during NEXD Cassette installation.

**PLEASE NOTE:**  
When measuring shade height, remember to include endcaps and fascia or headbox.

### 3" NEXD Cassette Components

- 1 NEXD 3" Clutch
- 2 NEXD 3" Idler with roller leveling
- 3 Ceiling/Wall Mount Cassette Extrusion
- 4 Spring Loaded Cassette Mounting Brackets (2)
- 5 Idler Endcap Cover
- 6 Clutch Endcap Cover
- 7 Fascia
- 8 1 1/4" Roller with Spline Attachment
- 9 Shade Fabric
- 10 Idler Gudgeon
- 11 Casstette Assembly Screws (4)
- 12 1" Elliptical Hembar

