

Classis GM 301

Gooseneck Microphone

FEATURES

- RFI-proof due to Scudio™ technology
- Supercardioid polar pattern
- High gain-before-feedback
- Flat, wide range frequency response
- High-quality reproduction of speech
- Flexible gooseneck for optimum positioning
- Unobtrusive design

APPLICATIONS

The GM 301 has specially been designed for the installation into tables or desks and is suitable for use in discussions and tele/video conferences. The 85 mm long gooseneck is provided with a 4-pin female mini XLR connection to connect the microphone to the CVE 301.18 power supply which can be installed into tables or desks and provides a protection against mechanical vibration. If the microphone is not connected, the connection of the CVE 301.18 can be covered with the included covering cap. The GM 301 can also be connected directly to a beltpack transmitter of the Opus wireless systems series and is therefore ideal for lecture rooms, forum discussions or presentations.

The Classis GM 301 microphone features the innovative Scudio™ technology, making the microphone absolutely insensitive to wireless communication devices such as mobile phones.

COMPONENTS

- Classis GM 301 Set consisting of:
supercardioid Classis GM 301
miniature condenser microphone,
black, incl. wind shield and
CVE 301.18 power supply with
cover cap Order # 489.336
- Classis GM 301.18 Supercardioid miniature
condenser microphone, black,
with 4-pin female mini
XLR connection, incl.
wind shield Order # 489.328



TECHNICAL SPECIFICATIONS

| | |
|--|------------------------------|
| Transducer type | Condenser (back electret) |
| Operating principle | Pressure gradient |
| Frequency response | 50 - 19,000 Hz |
| Polar pattern | Supercardioid |
| Open circuit voltage at 1 kHz | 17 mV/Pa |
| Nominal impedance | < 200 Ω |
| Load impedance | ≥ 1 kΩ |
| S/N ratio rel. to 1 Pa / noise voltage | 69 dB [A] / 6.0 μV [A] |
| Equivalent SPL | 25 dB [A] |
| Sound pressure level | 107 dB [SPL @ 1% THD] |
| Supply voltage | 8 - 52 V phantom power |
| Power consumption | 2.0 mA |
| Connection | 4-pin female mini XLR |
| Dimensions | |
| Length | 100 mm |
| Head diameter | 11 mm |
| Weight: | |
| GM 301.18 | 24 g |
| CVE 301.18 | 72 g |
| GM 301 (Set) | 96 g |

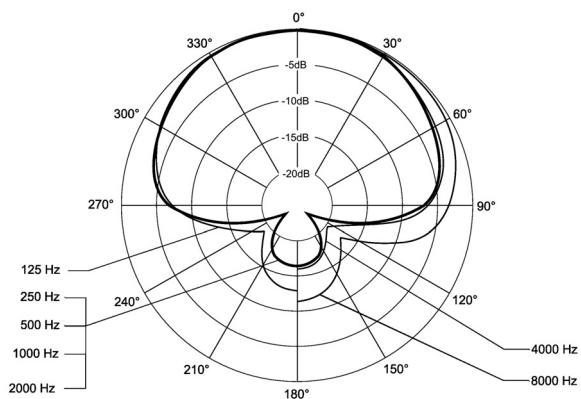
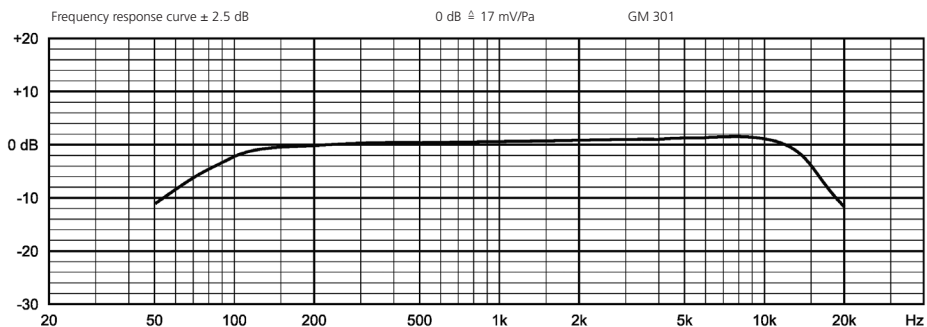
OPTIONAL ACCESSORIES

- ZSH 301.18 Miniature mounting kit
for Classis GM 301 gooseneck
microphone for remote
installation of CVE 301.18
power supply or connection
to beltpack transmitters of
the Opus wireless series, cable
length approx. 140 cm Order # 722.510

Classis GM 301

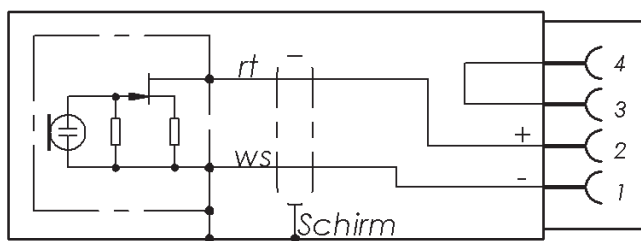
FREQUENCY RESPONSE & POLAR PATTERN

This frequency response curve (measuring tolerance ± 2.5 dB) and polar pattern correspond to a typical production sample for this microphone.

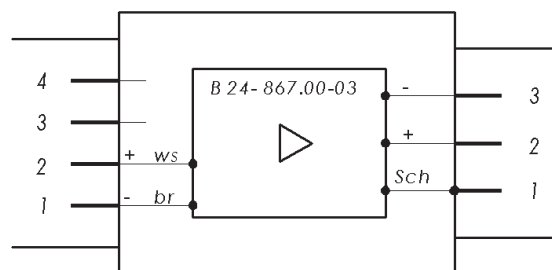


WIRING DIAGRAM

Classis GM 301.18



CVE 301.18

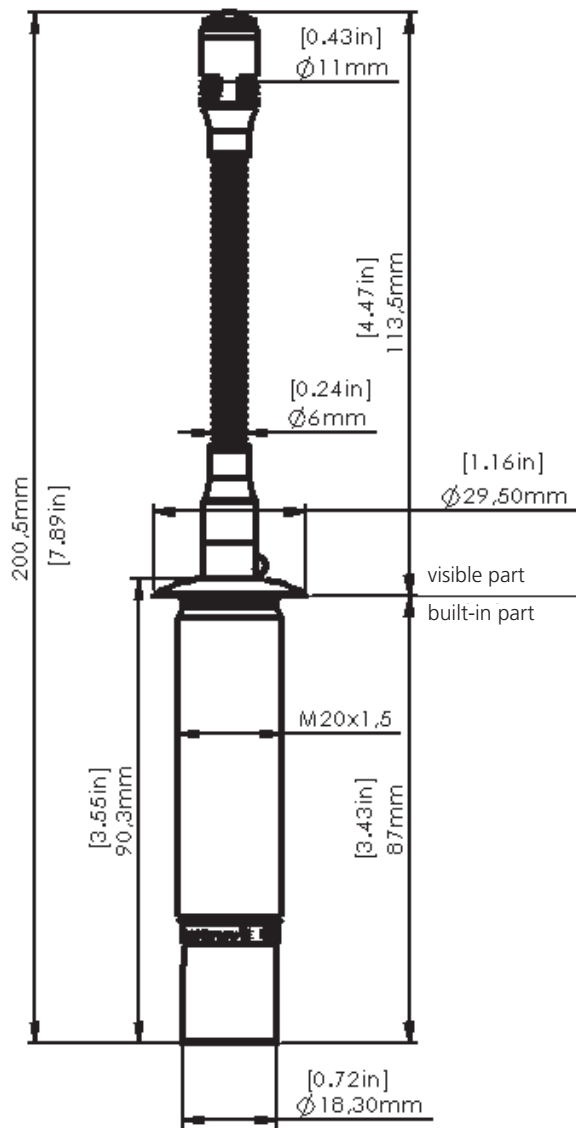


br = braun / brown / brun
rt = rot / red / rouge
ws = weiß / white / blanc
Sch = Schirm / shield / écran

Classis GM 301

DIMENSIONS

Classis GM 301



ZSH 301.18

