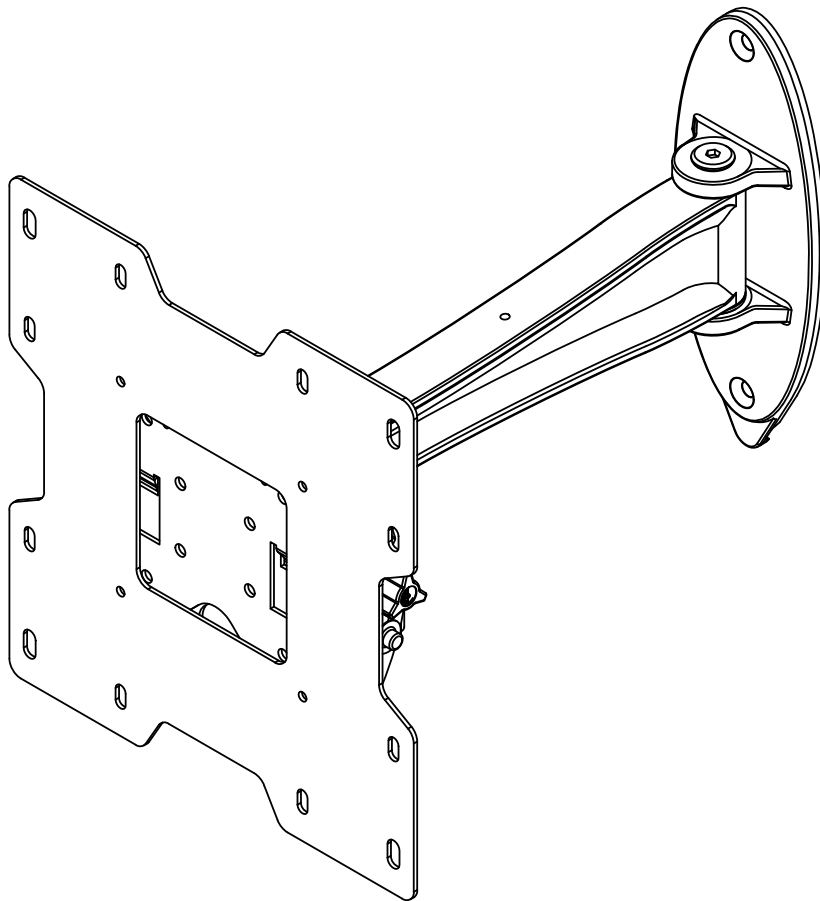


Installation and Assembly:

SmartMount™ Pivot Wall Arm for 22" - 40" LCD Screens

Models: SP740P, SP740P-S, SWV240/BK, SWV240/SI



Features:

- Fits 22" - 40" LCD screens
- Two tensionable pivot points for extensive adjustment of viewing angle
- VESA® 75/100/200 x 100/200 x 200 compatible
- Frees up space by folding flat against the wall



Max UL Load Capacity: 80 lb (36.3 kg)

Note: Read entire instruction sheet before you start installation and assembly.

▲ WARNING

- Do not begin to install your Peerless product until you have read and understood the instructions and warnings contained in this Installation Sheet. If you have any questions regarding any of the instructions or warnings, for US customers please call Peerless customer care at 1-800-865-2112, for all international customers, please contact your local distributor.
- This product should only be installed by someone of good mechanical aptitude, has experience with basic building construction, and fully understands these instructions.
- Make sure that the supporting surface will safely support the combined load of the equipment and all attached hardware and components.
- Never exceed the Maximum Load Capacity. See page one.
- If mounting to wood wall studs, make sure that mounting screws are anchored into the center of the studs. Use of an "edge to edge" stud finder is highly recommended.
- Always use an assistant or mechanical lifting equipment to safely lift and position equipment.
- Tighten screws firmly, but do not overtighten. Overtightening can damage the items, greatly reducing their holding power.
- This product is intended for indoor use only. Use of this product outdoors could lead to product failure and personal injury.
- This product was designed to be installed on the following wall construction only;

WALL CONSTRUCTION

HARDWARE REQUIRED

- | | |
|--------------------|--|
| • Wood Stud | Included |
| • Wood Beam | Included |
| • Solid Concrete | Included |
| • Cinder Block | Included |
| • Metal Stud | Do not attach except with Peerless Metal Stud Accessory Kit
(not evaluated by UL) |
| • Brick | Contact Qualified Professional (not evaluated by UL) |
| • Other or unsure? | Contact Qualified Professional |

Tools Needed for Assembly

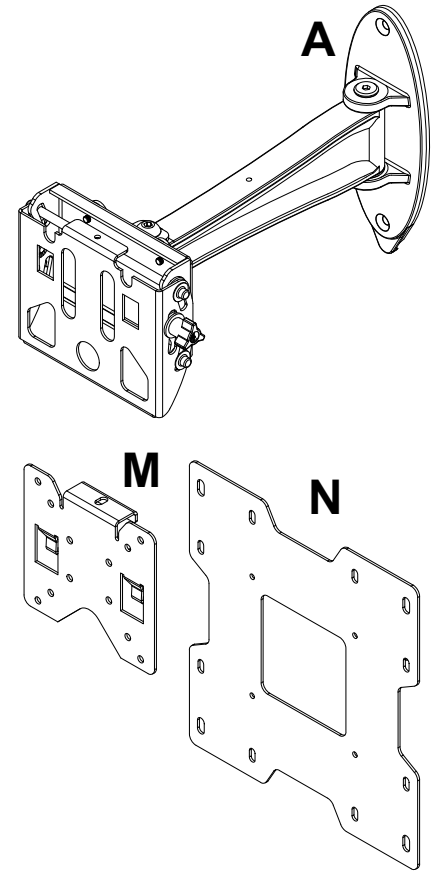
- stud finder ("edge to edge" stud finder is recommended)
- phillips screwdriver
- 5/16 (8 mm) drill bit for concrete and cinder block walls
- 5/32 (4 mm) drill bit for wood stud walls
- level

Table of Contents

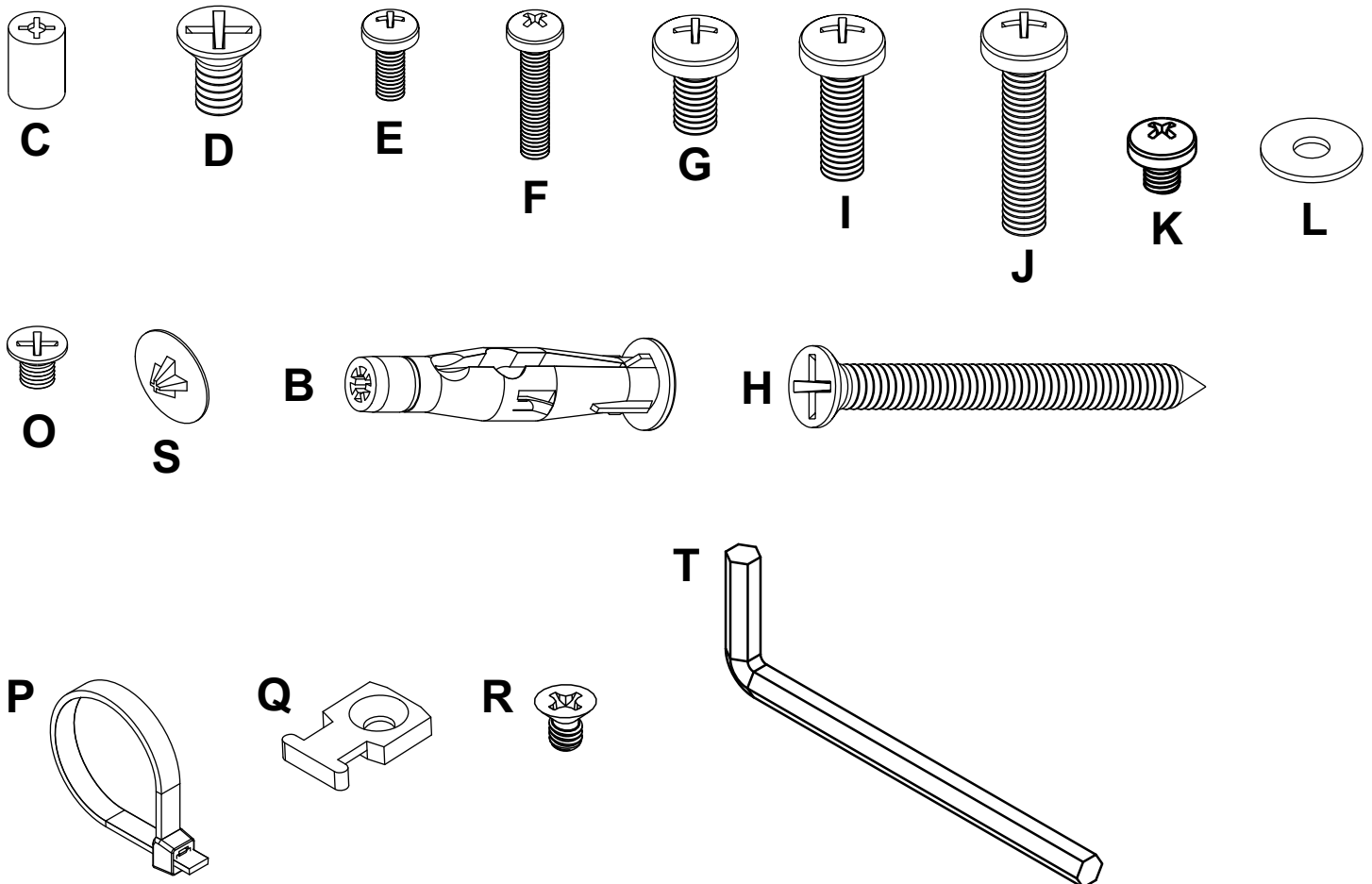
Parts List.....	3
Installation to Wood Stud Wall.....	4
Installation to Solid Concrete and Cinder Block	5

Before you begin, make sure all parts shown are included with your product.

Parts List			SP740P SWV240/BK	SP740P-S SWV240/SI
Description	Qty.	Part #	Part #	Part #
A wall mount	1	095-P1640	095-4640	095-4640
B concrete anchor	2	590-0320	590-0320	590-0320
C retaining spacer	4	590-5005	590-5003	590-5003
D 1/4-20 x .5" flat head phillips screw	2	520-1209	520-2178	520-2178
E M4 x 10 mm phillips screw	4	504-9012	520-2027	520-2027
F M4 x 20 mm phillips screw	4	504-9020	504-2014	504-2014
G M6 x 12 mm phillips screw	4	520-1128	520-2039	520-2039
H #14 x 2.5" mm flat head wood screw	2	520-1202	520-2165	520-2165
I M6 x 20 mm phillips screw	4	520-9402	520-2040	520-2040
J M6 x 30 mm phillips screw	4	510-9109	520-2042	520-2042
K M5 x 6 mm phillips screw	5	520-1023	520-2214	520-2214
L #10 flat washer	4	540-9400	540-9442	540-9442
M hook plate	1	095-P1346	095-4346	095-4346
N adapter plate	1	095-P1322	095-4322	095-4322
O #10-32 x 1/4" flat head phillips screw	1	520-1108	520-2108	520-2108
P cable ties	4	560-1756	560-1756	560-1756
Q cable tie anchors	2	590-1290	590-1290	590-1290
R 8-32 x 1/4" phillips screw	2	520-1622	520-2622	520-2622
S screw cover	2	590-1324	590-4324	590-4324
T 5 mm allen wrench	2	560-9640	560-9640	560-9640
U #3 screwdriver bit (not shown)	1	560-0209	560-0209	560-0209



Parts may appear slightly different than illustrated.



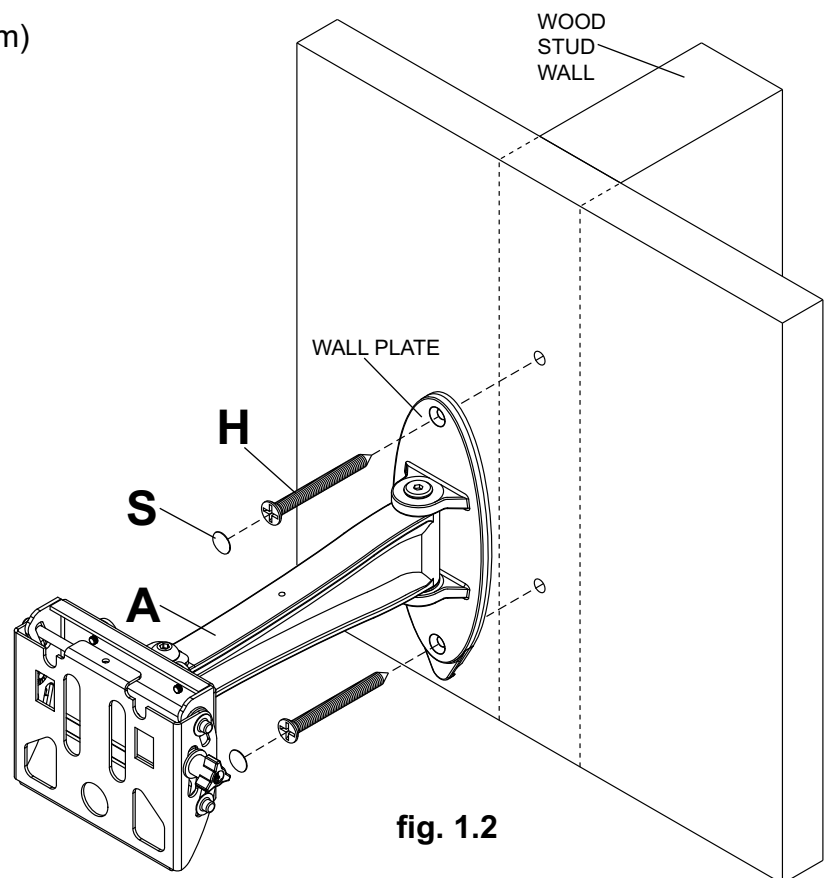
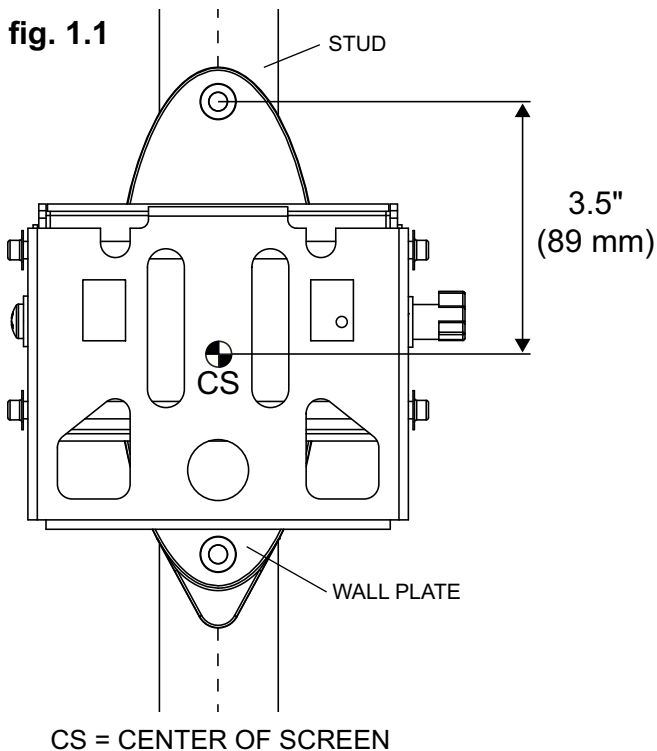
Installation to Wood Stud Wall

⚠ WARNING

- Installer must verify that the supporting surface will safely support the combined load of the equipment and all attached hardware and components.
- Tighten wood screws so that wall plate is firmly attached, but do not overtighten. Overtightening can damage the screws, greatly reducing their holding power.
- Never tighten in excess of 80 in. • lb (9 N.M.).
- Make sure that mounting screws are anchored into the center of the stud. The use of an "edge to edge" stud finder is highly recommended.
- Hardware provided is for attachment of mount through standard thickness drywall or plaster into wood studs. Installers are responsible to provide hardware for other types of mounting situations (not evaluated by UL).

1 Use a stud finder to locate the edges of the studs and draw a vertical line down each stud's center. Place wall plate on wall as a template. The top mounting hole should be located 3.5" (89 mm) above the desired screen center as shown in figure 1.1. Drill two 5/32" (4 mm) dia. holes to a depth of 2.5" (64 mm). Attach wall mount assembly (**A**) to wall with two #14 x 2.5" flat head wood screws (**H**) using #3 phillips screwdriver bit (**U**) as shown in figure 1.2.

Insert two screw covers (**S**) into mounting holes.



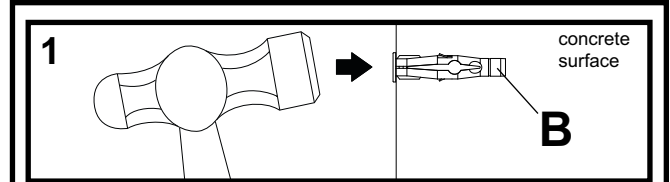
Installation to Solid Concrete and Cinder Block

⚠ WARNING

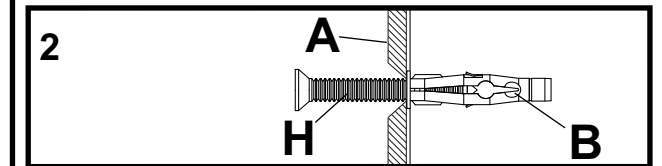
- When installing Peerless wall mounts on cinder block, verify that you have a minimum of 1-3/8" (35 mm) of actual concrete thickness in the hole to be used for the concrete anchors. Do not drill into mortar joints! Be sure to mount in a solid part of the block, generally 1" (25 mm) minimum from the side of the block. Cinder block must meet ASTM C-90 specifications. It is suggested that a standard electric drill on slow setting is used to drill the hole instead of a hammer drill to avoid breaking out the back of the hole when entering a void or cavity.
- Concrete must be 2000 psi density minimum. Lighter density concrete may not hold concrete anchor.
- Make sure that the supporting surface will safely support the combined load of the equipment and all attached hardware and components.

1 Use wall plate as template to mark center of holes. The top mounting hole should be located 3.5" (89 mm) above the desired screen center as shown in figure 1.1 on page 4. Drill two 5/16" (8 mm) dia. holes to a minimum depth of 2.5" (64 mm). Insert anchors (B) into holes. Place wall mount (A) over anchors and attach wall mount (A) to wall using two #14 x 2.5" flat head wood screws (H) using #3 phillips screwdriver bit (U).

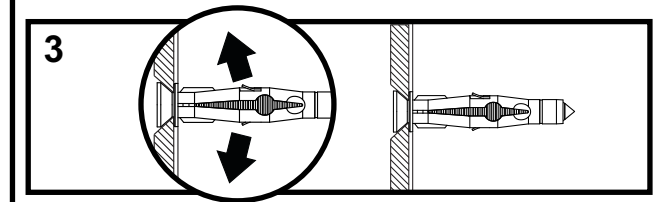
Insert two screw covers (S) into mounting holes.



Drill holes and insert anchors (B).



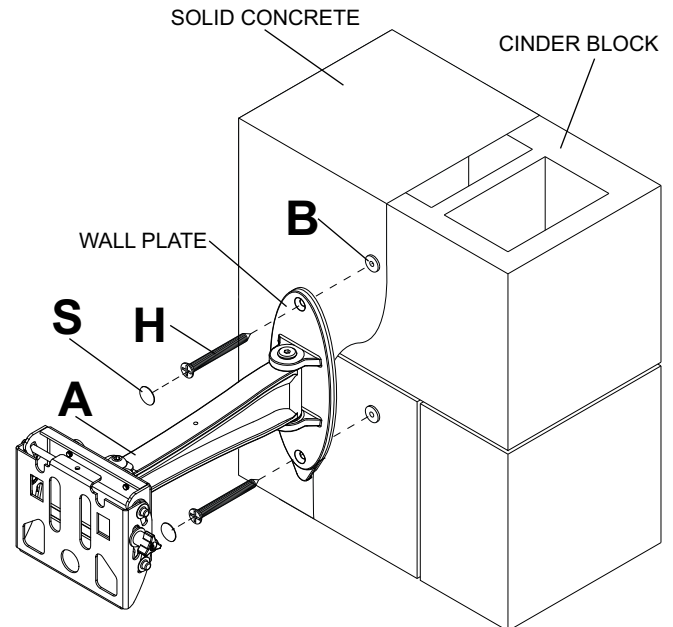
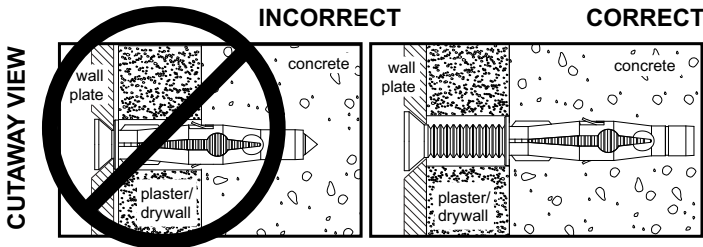
Place plate (A) over anchors (B) and secure with screws (H).



Tighten all fasteners.

⚠ WARNING

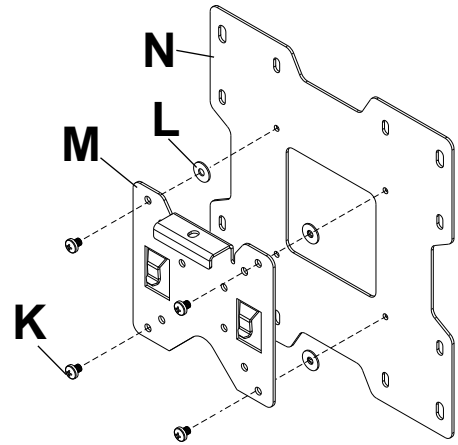
- Tighten screws so that wall plate is firmly attached, but do not overtighten. Overtightening can damage screws, greatly reducing their holding power.
- Never tighten in excess of 80 in. • lb (9 N.M.).
- Always attach concrete expansion anchors directly to load-bearing concrete.
- Never attach concrete expansion anchors to concrete covered with plaster, drywall, or other finishing material. If mounting to concrete surfaces covered with a finishing surface is unavoidable (not evaluated by UL), the finishing surface must be counterbored as shown below. Be sure concrete anchors do not pull away from concrete when tightening screws. If plaster/drywall is thicker than 5/8" (16 mm), custom fasteners must be supplied by installer (not evaluated by UL).



Attaching Adapter Plate to Screen with VESA 200 x 100 or 200 x 200 Mounting Pattern

NOTE: For VESA 75 mm and 100 mm patterns, see following page.

- 2** Attach hook bracket (**M**) to adapter plate (**N**) using four M5 x 6 mm screws (**K**) and #10 washers (**L**) as shown.



⚠ WARNING

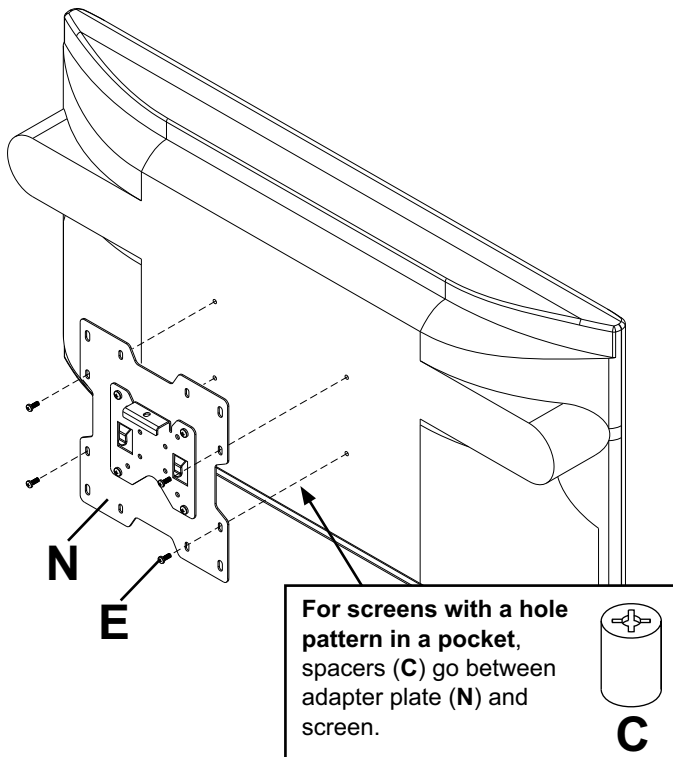
- If screws don't get three complete turns in the screen inserts or if screws bottom out and adapter plate is still not tightly secured, damage may occur to screen or product may fail.

FOR VESA 200 x 100 MOUNTING PATTERN:

- 2-1** Choose hole pattern as shown below. Attach adapter plate (**N**) to back of screen using four M4 x 10 mm screws (**E**) as shown below.

NOTE: If screw (**E**) gets less than three threads of engagement, attach adapter plate (**N**) to back of screen using four M4 x 20 mm screws (**F**) and four spacers (**C**) as indicated below.

Skip to step 3 on page 8.

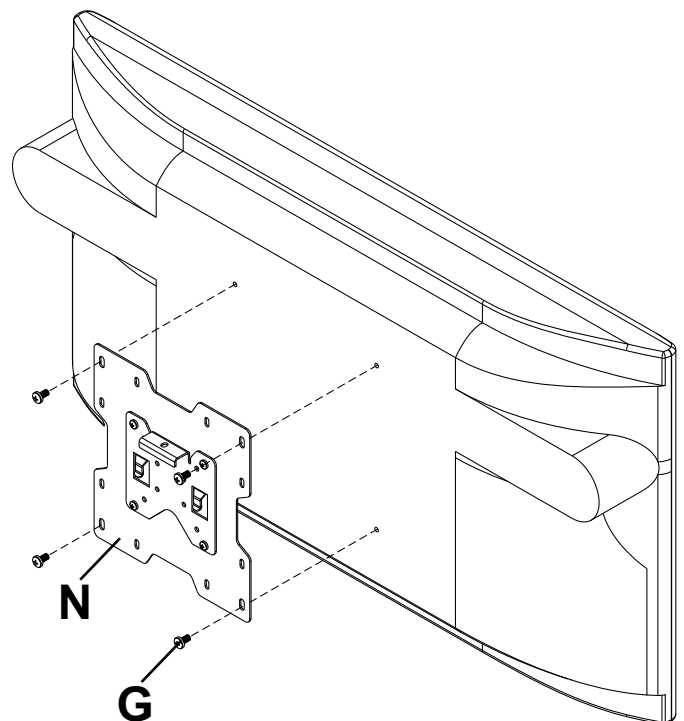


FOR VESA 200 x 200 MOUNTING PATTERN:

- Choose hole pattern as shown below. Attach adapter plate (**N**) to back of screen using four M6 x 12 mm screws (**G**) as shown below.

NOTE: If screw (**G**) gets less than three threads of engagement, attach adapter plate (**N**) to back of screen using four M6 x 20 mm screws (**I**). If screw (**I**) still gets less than three threads of engagement, use four M6 x 30 mm screws (**J**).

Skip to step 3 on page 8.



Attaching Hook Bracket to Screen with VESA 75 or 100 Mounting Pattern

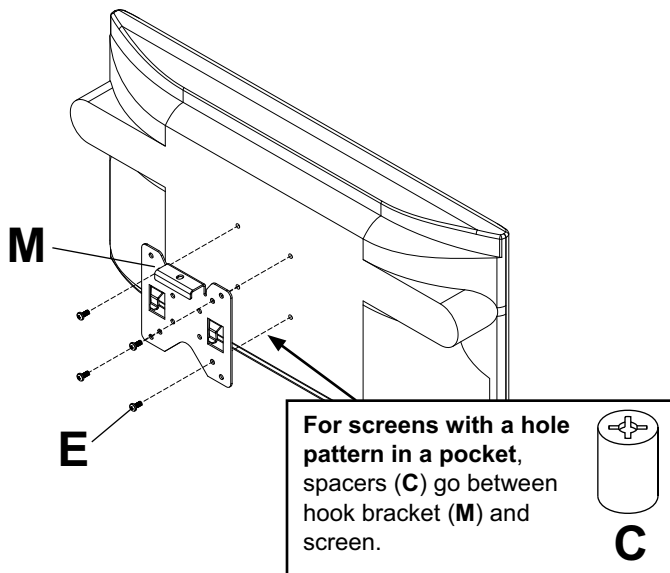
⚠ WARNING

- If screws don't get three complete turns in the screen inserts or if screws bottom out and bracket is still not tightly secured, damage may occur to screen or product may fail.

FOR VESA® 75 MOUNTING PATTERN:

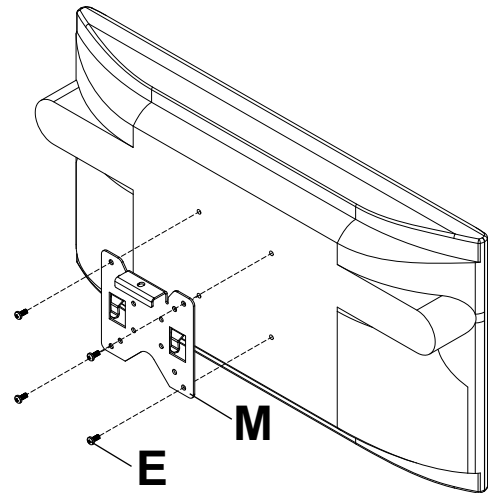
- 2** Choose hole pattern as shown below. Attach hook bracket (**M**) to back of screen using four M4 x 10 mm screws (**E**) as shown below.

NOTE: If hole pattern is in a pocket, attach hook bracket (**M**) to back of screen using four M4 x 20 mm screws (**F**) and four retaining spacers (**C**) as indicated below.



FOR VESA 100 MOUNTING PATTERN:

- Choose hole pattern as shown below. Attach hook bracket (**M**) to back of screen using four M4 x 10 mm screws (**E**) as shown below.



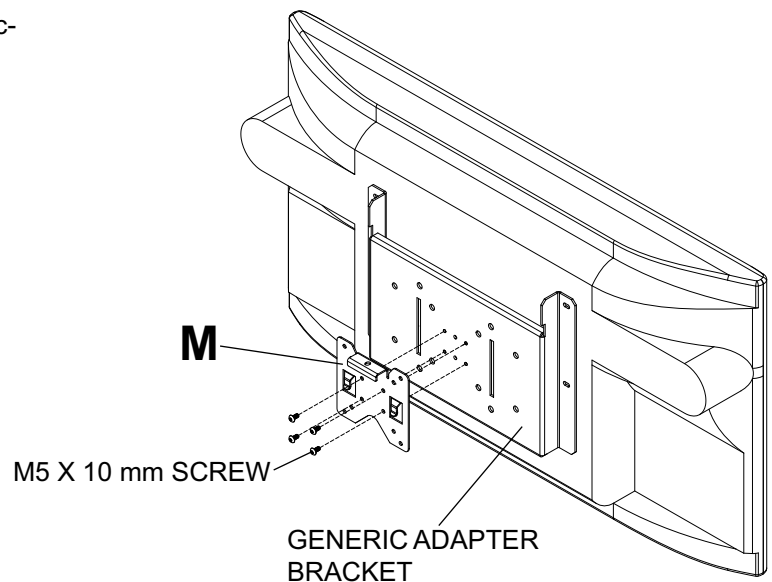
For screen compatibility please refer to the LCD or plasma interface list on our website www.peerlessmounts.com or call customer care for a screen specific adapter bracket LC or PLP models (not UL evaluated).

FOR INSTALLING TO PEERLESS PLP MODEL ADAPTER BRACKET

NOTE: Refer to PLP model adapter bracket instruction sheet for attachment of adapter bracket to screen.

NOTE: M5 x 10 mm screws are included with the PLP model adapter bracket.

- 2** Attach hook bracket (**M**) to adapter bracket using four M5 x 10 mm screws.



Installing and Removing Flat Panel Screen

- 3** To attach screen to wall mount (A), lower hook bracket (M) into pockets of wall mount. Once clips are engaged, push down to seat clips into pockets. Insert and tighten M5 phillips screw (K) to lock screen to wall mount as shown in figure 3.1.

To remove screen from mount, loosen screw (K) and lift screen off of mount.

⚠ WARNING

- Do not lift more weight than you can handle. Use additional man power or mechanical lifting equipment to safely handle placement of the screen.
- Failure to lock hook bracket (M) with screw (K) can cause screen to come off mount if hit accidentally.

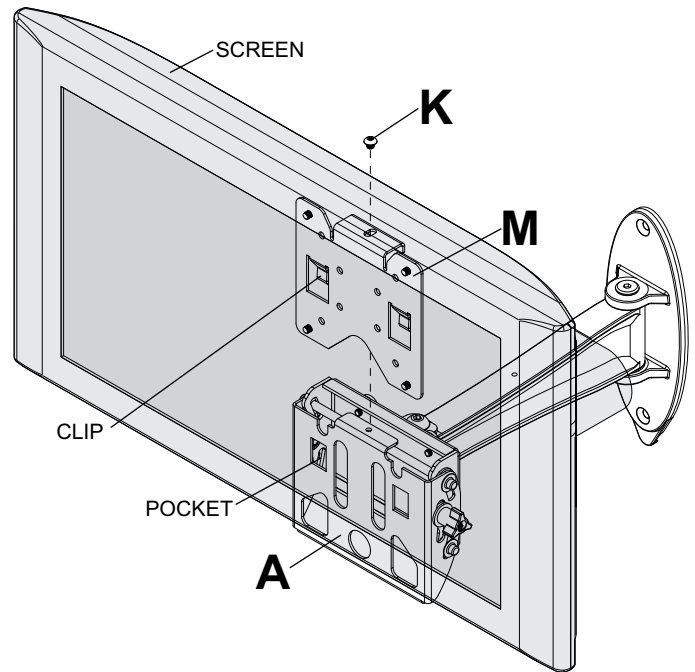


fig. 3.1

- 4** Hold screen securely and loosen tension knob on side of mount shown in figure 4.1 to allow for tilt.

Adjust screen to desired tilt (15° forward, 5° backward), then retighten tension knob.

- 4-1** Rotate screen by hand to level screen. Roll bracket allows 2° roll adjustment.

Insert #10-32 x 1/2" flat head phillips screw (O) to lock screen into position as shown in figure 4.2.

CAUTION

- Do not tighten screws with excessive force. Overtightening can cause damage to mount. Tighten screws to 40 in. • lb (4.5 N.M.) maximum torque.
- Be careful not to pinch fingers when opening and closing mount from the wall.

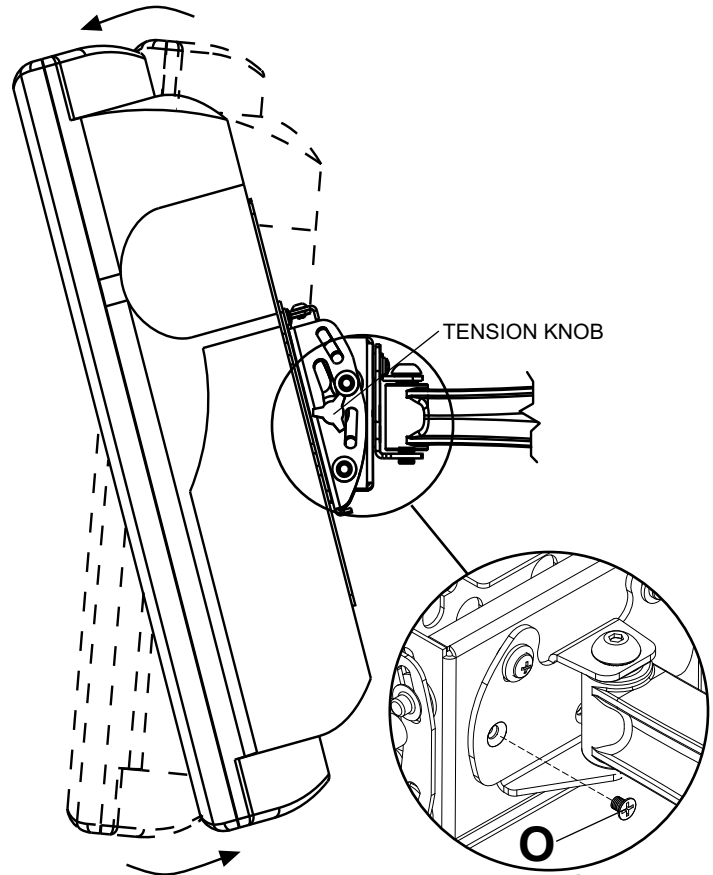


fig. 4.1

fig. 4.2

Cable Management

Cords may be routed using cable ties (P).

- 5-1** Attach cable tie anchor (Q) to top or bottom of wall arm (A) using 8-32 x 1/4" phillips screw (R) as shown in figure 5.1.

Secure cables to top or bottom of wall arm (A) using cable ties (P) as shown in figure 5.2.

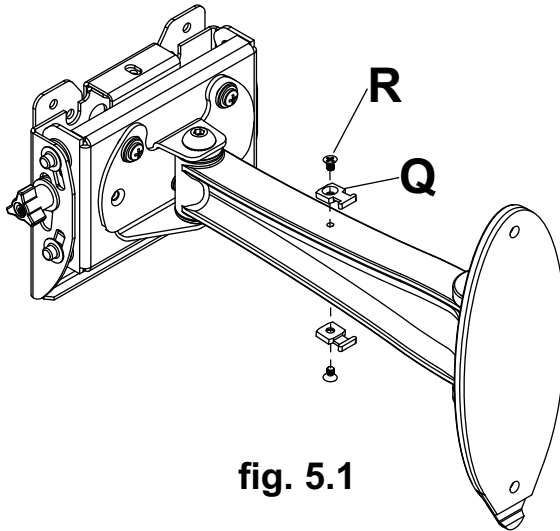


fig. 5.1

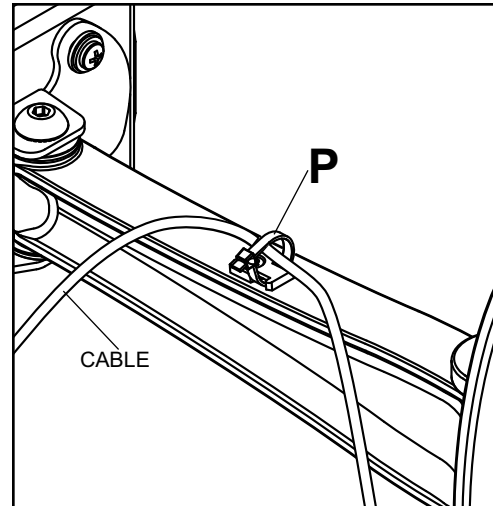
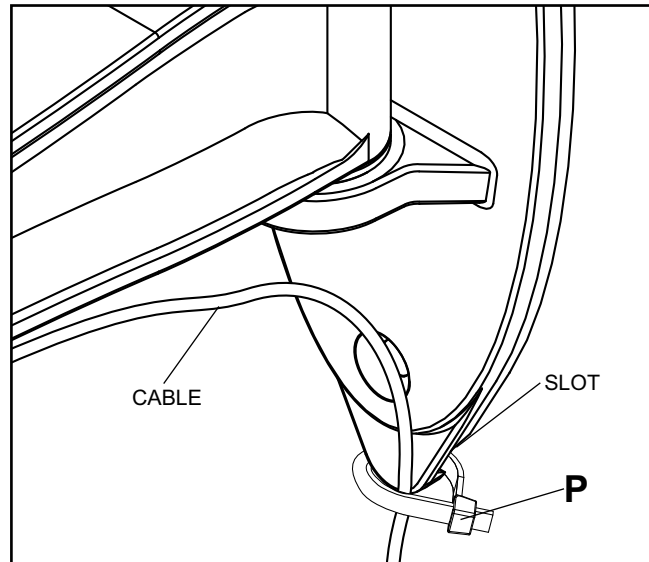


fig. 5.2

- 5-2** Secure cables to bottom of wall plate using a cable tie (P) as shown below.

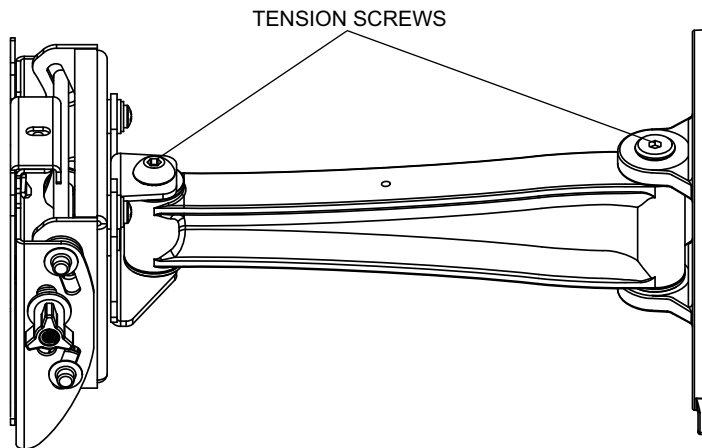


Tension Adjustment

⚠ WARNING

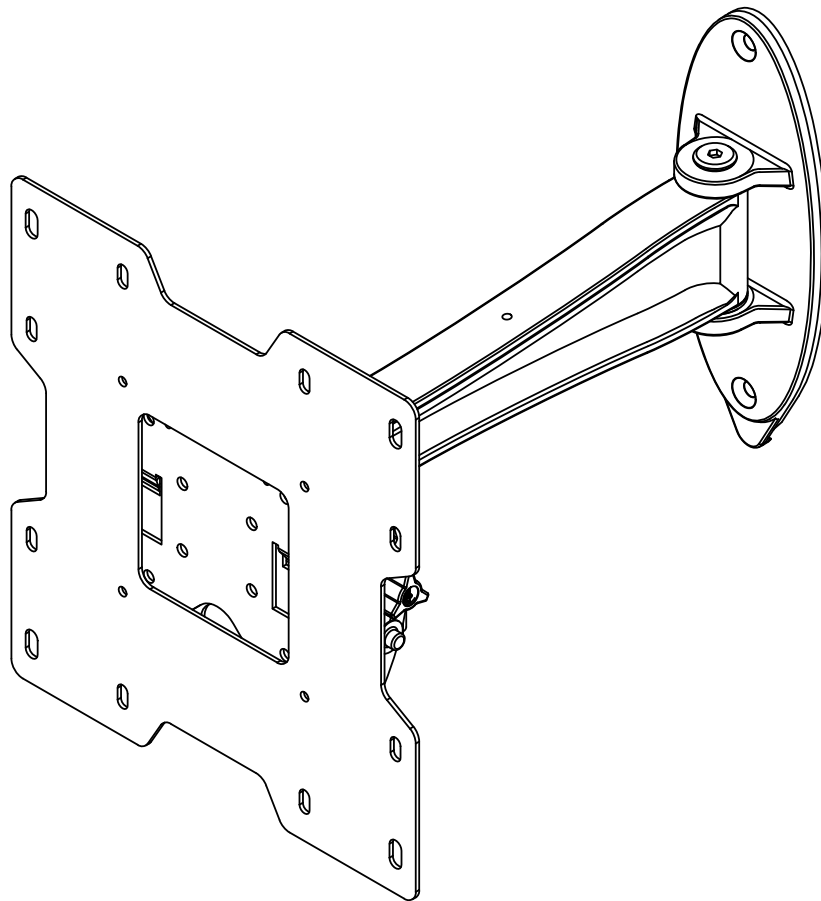
- Do not remove screw or loosen screw until it is no longer engaged with the mount. Doing so may cause the screen to fall.
- If screws become loose over time, tighten screws as necessary. Tighten screws to 50 in. • lb (5.6 N.M.) maximum torque.

- 6** If more or less tension is desired in the arm pivot points, do the following:
- To increase tension, turn tension screw(s) clockwise with 5 mm allen wrenchs (T). **NOTE: Tighten screws to 50 in • lbs (5.6 N.m.) maximum torque.**
 - To reduce tension, turn tension screw(s) counter-clockwise with 5 mm allen wrenchs (T). **NOTE: Do not turn more than half a turn.**



**Installation et assemblage:
Braz Pared de Soporte Giratorio Smartmount™ Para Pantallas
22" - 40" LCD**

Modelos: SP740P, SP740P-S, SWV240/BK, SWV240/SI



Características:

- Sostiene pantallas LCD de 22" a 40"
- Tiene dos puntos de giro de ajuste tensor para ofrecer una gama de ángulos para ver el televisor
- Es compatible con VESA® 75/100/200 x 100/200 x 200
- Despeja espacios al plegarse plano contra la pared



Capacidad máxima de soportar carga por UL:
80 lb (36.3 kg)

NOTA: Lea la hoja de instrucciones completa antes de comenzar la instalación y el ensamblaje.

⚠ ADVERTENCIA

- No comience a instalar su producto de Peerless hasta haber leído y entendido las instrucciones y las advertencias contenidas en la Hoja de Instalación. Si tiene alguna pregunta acerca de cualquiera de las instrucciones o las advertencias, por favor, llame a Servicio al Cliente de Peerless al 1-800-865-2112 si está en EE. UU. Si es un cliente internacional, por favor, comuníquese con su distribuidor local.
- Este producto sólo debe ser instalado por una persona que tenga una buena aptitud mecánica, que tenga experiencia en construcción básica de edificios y que entienda estas instrucciones en su totalidad.
- Asegúrese de que la superficie de apoyo sostendrá, con seguridad, la carga combinada del equipo y todos los fijadores y componentes.
- Nunca sobrepase la capacidad máxima de soportar carga aceptada por Underwriters Laboratories. Vea la página 11.
- Si va a instalar el producto en una pared con montantes de madera, asegúrese de que los tornillos de montaje estén anclados en el centro de los montantes. Se recomienda utilizar un localizador de montantes de "borde a borde".
- Siempre cuente con la ayuda de un asistente o utilice un equipo mecánico de izar para levantar y colocar el equipo con más seguridad.
- Apriete los tornillos con firmeza, pero no en exceso. Apretarlos en exceso puede dañar los artículos y puede disminuir significativamente su fuerza de fijación.
- Este producto está diseñado para uso en interiores solamente. Utilizar este producto en exteriores podría causar fallos del producto y lesiones a individuos.
- Este producto fue diseñado para ser instalado en paredes con la siguiente construcción solamente:

CONSTRUCCIÓN DE LA PARED

- Montante de madera
- Viga de madera
- Concreto macizo
- Bloque de hormigón de escorias
- Montante de metal
- Ladrillo
- ¿Otra superficie o no está seguro?

ACCESORIOS NECESARIOS

- Incluido
- Incluido
- Incluido
- Incluido
- No lo instale excepto con el juego de accesorios de Peerless para montantes de metal (no evaluados por UL)
- Comuníquese con un profesional calificado (no evaluados por UL)
- Comuníquese con un profesional calificado

Herramientas necesarias para el ensamblaje

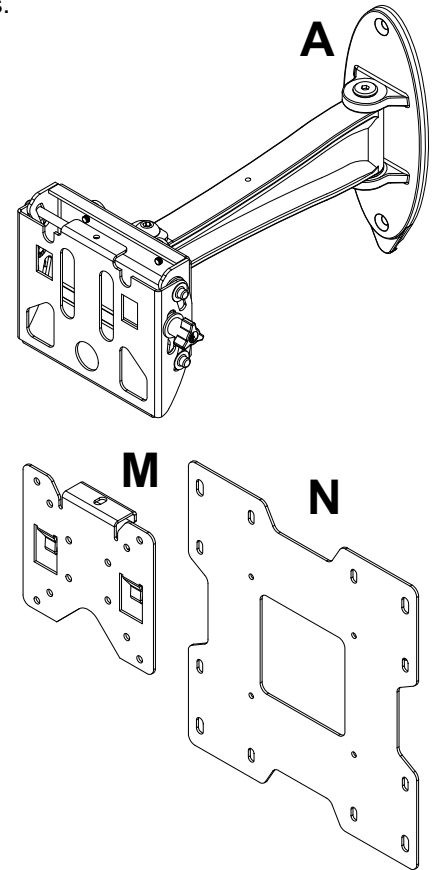
- localizador de montantes (se recomienda uno de "borde a borde")
- destornillador phillips
- broca de 5/16" (8 mm) para paredes de concreto y de bloque de hormigón de escorias
- broca de 5/32" (4 mm) para paredes con montantes de madera
- nivel

Contenido

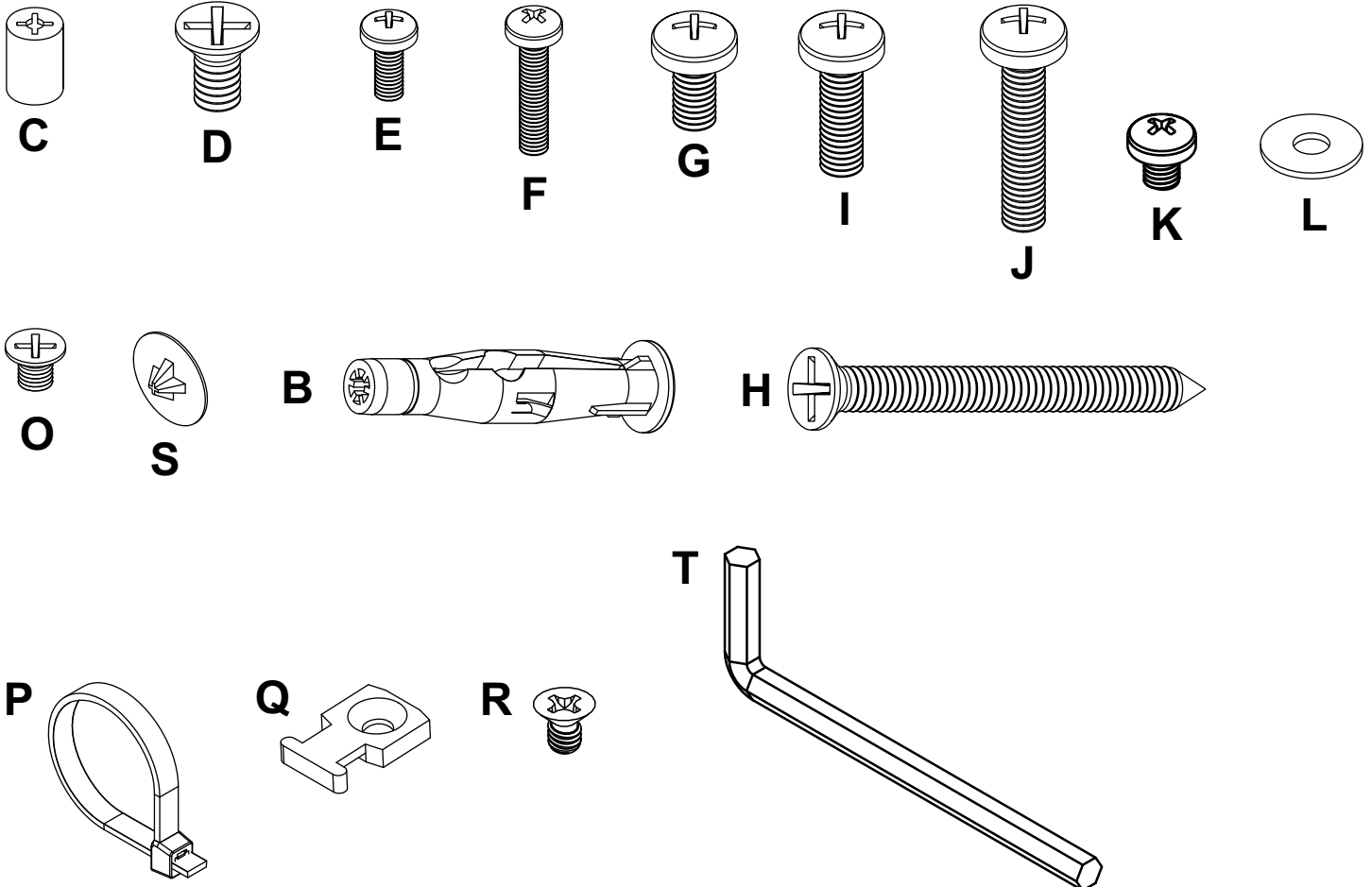
Lista de piezas.....	13
Instalación en una pared con montantes de madera	14
Instalación en una pared de concreto macizo o de bloques de hormigón de escorias.....	15

Antes de comenzar, asegúrese de que su producto incluye todas las piezas ilustradas.

Descripción	Cant.	SP740P	SP740P-S
		N.o de pieza	N.o de pieza
A unidad del soporte de pared	1	095-P1640	095-4640
B anclajes de concreto	2	590-0320	590-0320
C espaciador de retención	4	590-5005	590-5003
D tornillo phillips de cabeza plana de 1/4"-20 x 1/2"	2	520-1209	520-2178
E tornillo phillips M4 x 10 mm	4	504-9012	520-2027
F tornillo phillips M4 x 20 mm	4	504-9020	504-2014
G tornillo phillips M6 x 12 mm	4	520-1128	520-2039
H tornillo phillips de cabeza plana para madera de n.º 14 x 2.5"	2	520-1202	520-2165
I tornillo phillips M6 x 20 mm	4	520-9402	520-2040
J tornillo phillips M6 x 30 mm	4	510-9109	520-2042
K tornillo phillips M5 x 6 mm	5	520-1023	520-2214
L arandela plana N.º 10	4	540-9400	540-9442
M soporte de gancho	1	095-P1346	095-4346
N placa adaptadora	1	095-P1322	095-4322
O tornillo phillips de cabeza plana para madera de 10-32 x 1/4"	1	520-1108	520-2108
P Sujetacables	4	560-1756	560-1756
Q Anclajes de los sujetacables	2	590-1290	590-1290
R tornillo phillips 8-32 x 1/4"	2	520-1622	520-2622
S Cubierta de los tornillos	2	590-1324	590-4324
T llave allen de 5 mm	2	560-9640	560-9640
U broca de #3 (no demostrado)	1	560-0209	560-0209



Las piezas podrían verse ligeramente diferentes a las ilustradas.



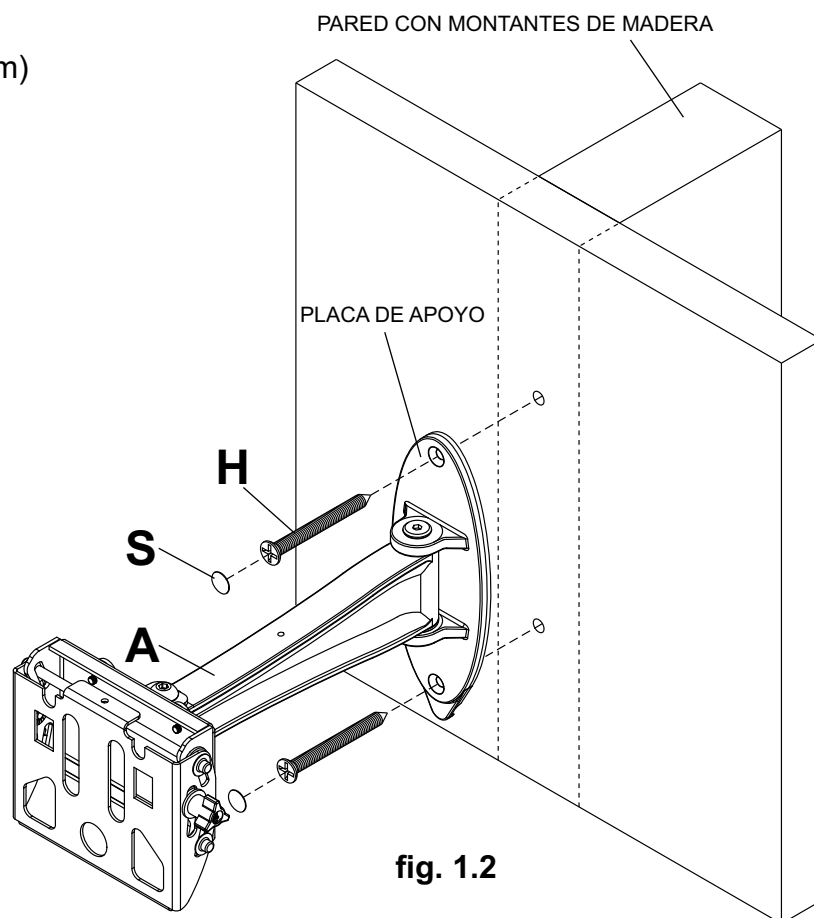
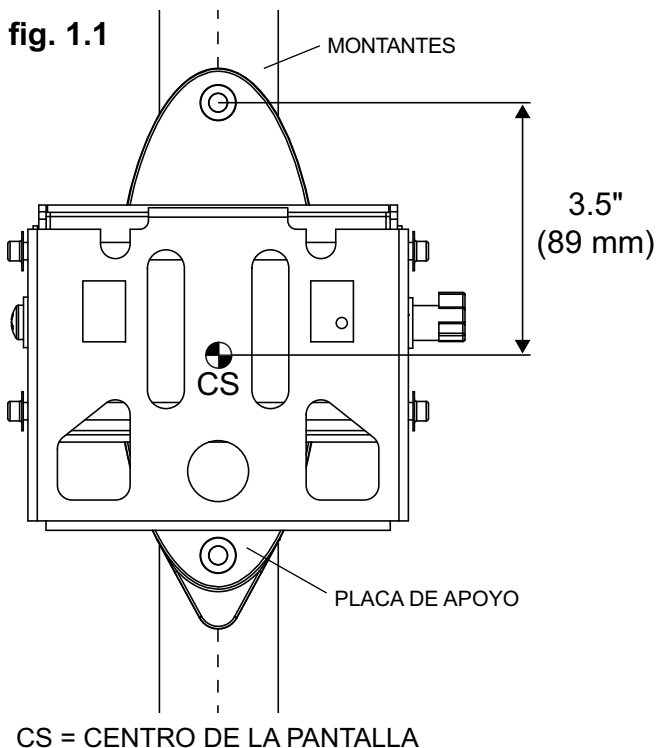
Instalación en una pared con montantes de madera

⚠ ADVERTENCIA

- El instalador debe verificar que la superficie de apoyo sea capaz de soportar firmemente la carga combinada del equipo y todos los herrajes y componentes.
- Apriete los tornillos para madera de tal modo que la placa de apoyo quede firmemente sujeta, pero no apriete en exceso. El apriete excesivo puede dañar los tornillos, reduciendo enormemente su fuerza de fijación.
- Nunca apriete más de 80 pulg-lb (9 N•m).
- Asegúrese de que los tornillos de montaje queden bien fijos en el centro del montante. Se recomienda usar un localizador de montantes de "borde a borde".
- Los herrajes suministrados son para fijar el soporte a través de tabique de yeso-cartón o yeso de espesor estándar a los montantes de madera. Los instaladores son responsables de suministrar los herrajes para otros tipos de situaciones de montaje (no evaluados por UL).

1 Utilizando un localizador de montantes, localice y marque los bordes del montante de madera utilizado para instalar el producto. Utilice la placa de pared como plantilla para marcar el centro de los agujeros sobre la línea vertical. El agujero de montaje superior debe estar ubicado a 3.5" (89 mm) encima del punto donde quiere que quede el centro de la pantalla, como se muestra en la figura 1.1. Taladre dos agujeros de 5/32" (4 mm) de diámetro y 2.5" (64 mm) de profundidad. Fije el soporte de pared (A) a la pared utilizando dos tornillos para madera de cabeza plana de 14 x 2.5" (H) con broca de #3 (U), como se muestra 1.2.

Inserte dos cubiertas de tornillos (S) en los agujeros de montaje.

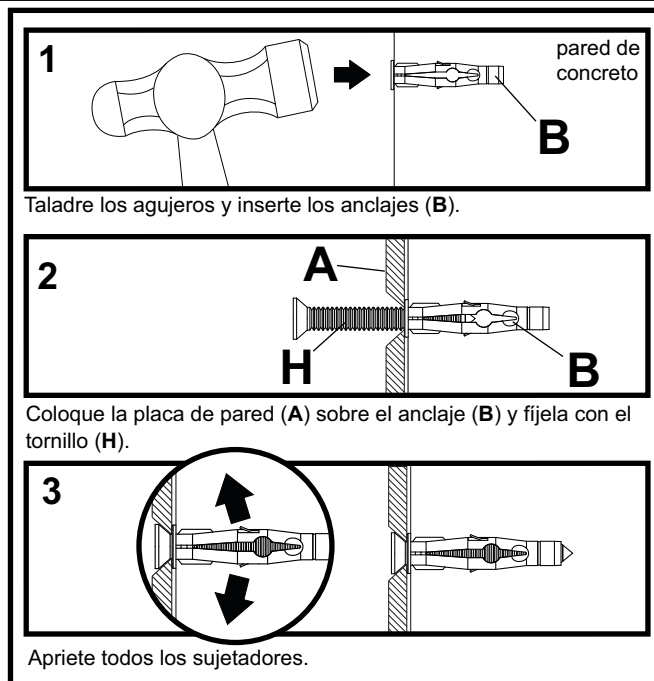


Instalación en una pared de concreto macizo o de bloques de hormigón de escorias

▲ ADVERTENCIA

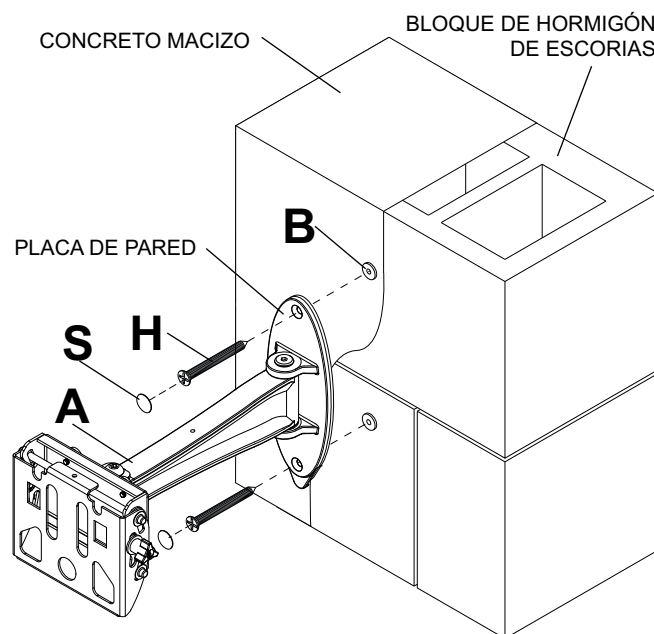
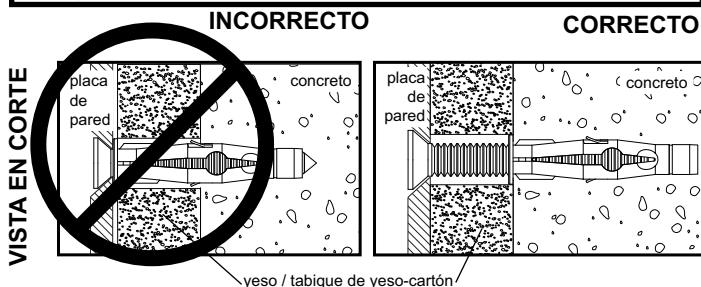
- Cuando instale soportes de pared Peerless en bloques de hormigón de escorias, verifique que tengan un mínimo de 1-3/8" (35 mm) de superficie efectiva de concreto en el agujero que va a utilizar para los anclajes de concreto. ¡No perforo en las juntas de mortero! Asegúrese de instalar el soporte en una parte sólida del bloque, generalmente a un mínimo de 1" (25 mm) del costado del bloque. El bloque de hormigón de escorias debe ser de conformidad con las especificaciones C-90 de ASTM. Se sugiere taladrar el agujero con un taladro eléctrico normal en velocidad lenta en vez de un taladro percutor para evitar romper la parte trasera del agujero al entrar en un espacio o cavidad.
- El concreto debe tener una densidad mínima de 2000 psi. Un concreto menos denso podría no ser capaz de sujetar el anclaje para concreto.
- El instalador debe verificar que la superficie de apoyo sea capaz de soportar firmemente la carga combinada del equipo y todos los herrajes y componentes.

- 1** Utilice la placa de pared como plantilla para marcar el centro de los agujeros. El agujero de montaje superior debe estar ubicado a 3.5" (89 mm) encima del punto donde quiere que quede el centro de la pantalla, como se muestra en la figura 1.1, de la página 14. Taladre dos agujeros de 5/16" (8 mm) de diámetro a una profundidad mínima de 2.5" (64 mm). Inserte los anclajes (B) en los agujeros. Coloque el soporte de pared (A) sobre los anclajes y fije el soporte de pared (A) en la pared utilizando dos tornillos para madera de cabeza plana de 14 x 2.5" (H) con broca de #3 (U). Inserte dos cubiertas de tornillos (S) en los agujeros de montaje.



▲ ADVERTENCIA

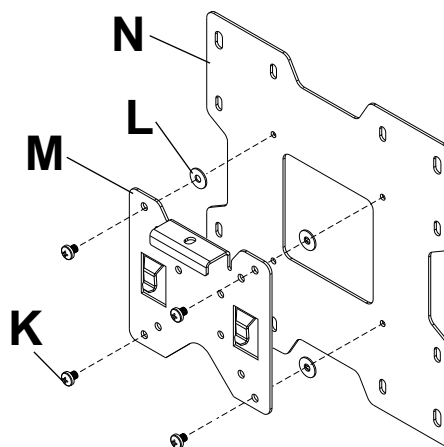
- Apriete los tornillos de tal modo que la placa de apoyo quede firmemente sujeta, pero no los apriete en exceso. El apriete excesivo puede dañar los tornillos, reduciendo enormemente su fuerza de fijación.
- Nunca apriete más de 80 pulg-lb (9 N•m).
- Siempre fije los anclajes de expansión directamente al concreto que soporta carga.
- Nunca fije los anclajes de expansión a una pared de concreto recubierta con yeso, tabiques de yeso-cartón u otro material de acabado. Si el montaje a superficies de concreto recubiertas con una superficie de acabado es inevitable (no evaluados por UL), será necesario escariar el acabado, como se muestra más abajo. Asegúrese de que los anclajes de concreto no se alejen del concreto al apretar los tornillos. Si el grosor de la pared de yeso/tabique de yeso-cartón es mayor que 5/8" (16 mm), el instalador deberá suministrar fijaciones especiales (no evaluados por UL).



Fijación de la placa adaptadora a pantallas con configuraciones de montaje VESA® 200 x 100 ó 200 x 200

NOTA: En el caso de las configuraciones de montaje VESA® 75 mm y 100 mm, pase a la próxima página.

- 2** Fije el soporte de gancho (M) a la placa adaptadora (N) usando cuatro tornillos de M5 x 6 mm (K) y cuatro arandelas N.º 10 (L), como se muestra.



⚠ ADVERTENCIA

- Si no se les da tres vueltas completas a los tornillos en los insertos de la pantalla o si los tornillos topan fondo y la placa adaptadora todavía no está firme, se podría dañar la pantalla o el producto podría no funcionar bien.

EN EL CASO DE LA CONFIGURACIÓN DE MONTAJE VESA® 200 x 100:

2-1

Escoja un patrón de agujeros, como se muestra abajo. Fije la placa adaptadora (N) a la parte trasera de la pantalla usando cuatro tornillos de M4 x 10 mm (E), como se muestra abajo.

***NOTA:** Si el tornillo (E) enrosca menos de tres vueltas, fije la placa adaptadora (N) a la parte trasera de la pantalla usando cuatro tornillos de M4 x 20 mm (F) y cuatro espaciadores (C), como se indica abajo.

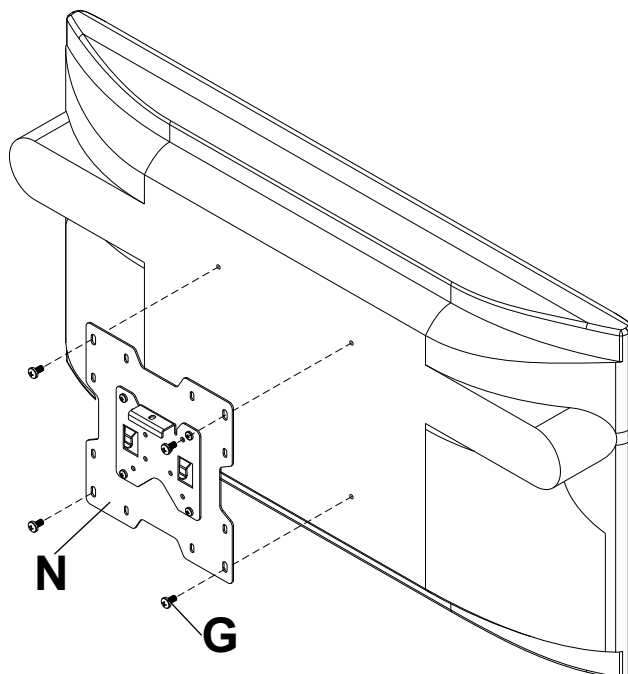
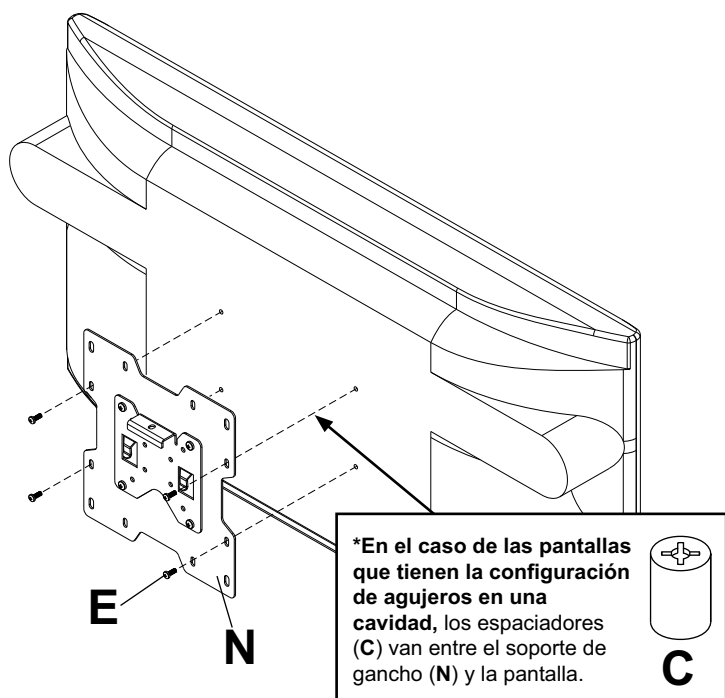
Pase al paso 3 de la página 18.

EN EL CASO DE LA CONFIGURACIÓN DE MONTAJE VESA® 200 x 200:

Escoja un patrón de agujeros, como se muestra abajo. Fije la placa adaptadora (N) a la parte trasera de la pantalla usando cuatro tornillos de M6 x 12 mm (G), como se muestra abajo.

***NOTA:** Si los tornillos (G) enrosca menos de tres vueltas, fije la placa adaptadora (N) a la parte trasera de la pantalla utilizando cuatro tornillos de M6 x 20 mm (I). Si los tornillos (I) todavía enrosca menos de tres vueltas, use cuatro tornillos de M6 x 30 mm (J).

Pase al paso 3 de la página 18.



Fijación del soporte de gancho a pantallas con configuraciones de montaje VESA® 75 ó 100

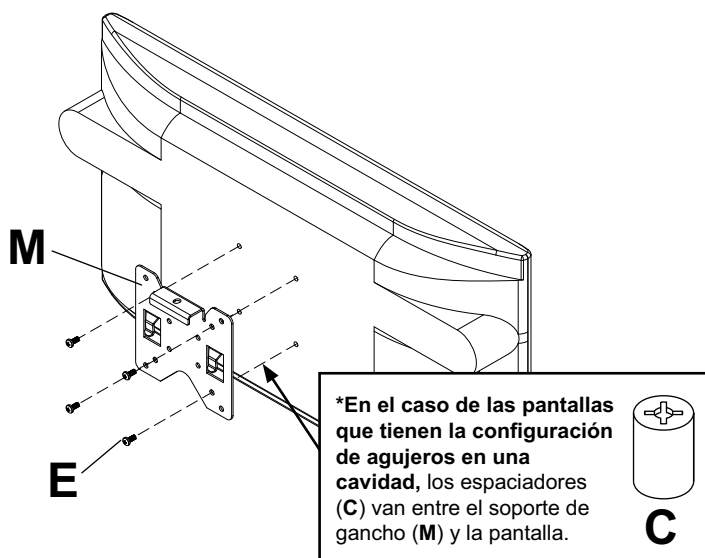
⚠ ADVERTENCIA

- Si no se les da tres vueltas completas a los tornillos en los insertos de la pantalla o si los tornillos topan fondo y la placa adaptadora todavía no está firme, se podría dañar la pantalla o el producto podría no funcionar bien.

EN EL CASO DE LA CONFIGURACIÓN DE MONTAJE VESA® 75:

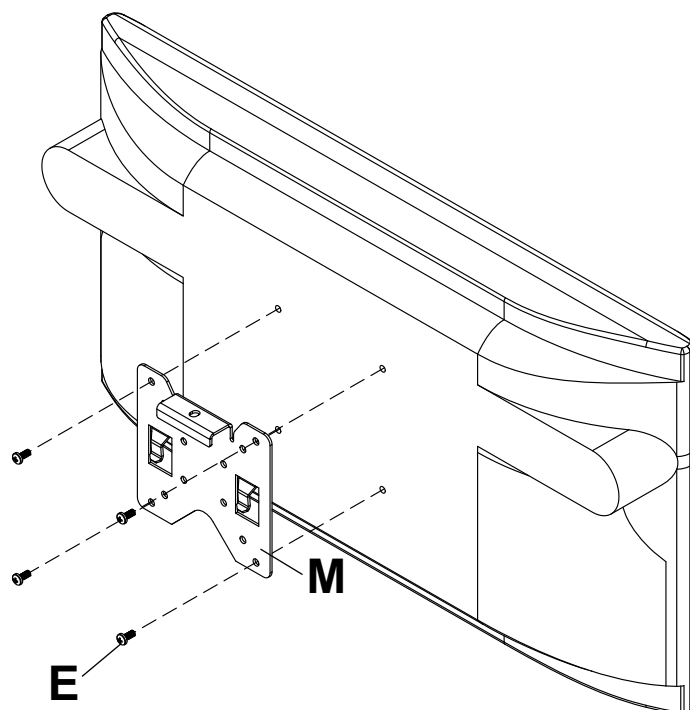
- 2** Escoja un patrón de agujeros, como se muestra abajo. Fije el soporte de gancho (**M**) a la parte trasera de la pantalla usando cuatro tornillos de M4 x 10 mm (**E**), como se muestra abajo.

***NOTA:** Si la configuración de agujeros está en una cavidad, fije el soporte de gancho (**M**) a la parte trasera de la pantalla usando cuatro tornillos de M4 x 20 mm (**F**) y cuatro espaciadores de retención (**C**), como se indica abajo.



EN EL CASO DE LA CONFIGURACIÓN DE MONTAJE VESA® 100:

- Escoja un patrón de agujeros, como se muestra abajo. Fije el soporte de gancho (**M**) a la parte trasera de la pantalla usando cuatro tornillos de M4 x 10 mm (**E**), como se muestra abajo.



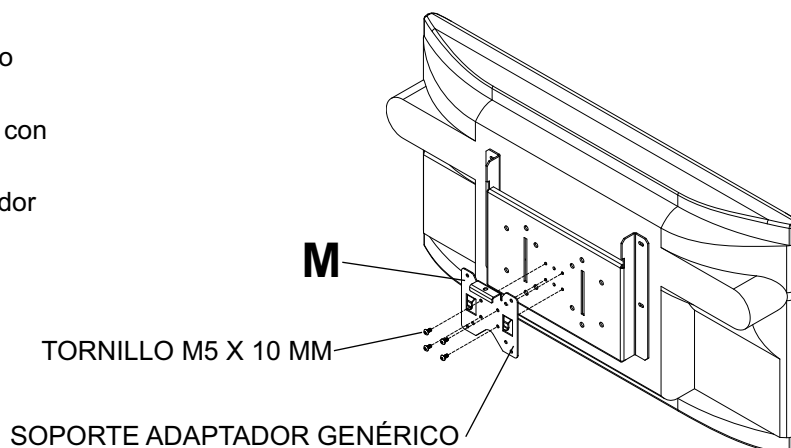
Para ver una tabla de las pantallas compatibles, consulte la lista de interface de pantallas de LCD o de plasma en nuestra página web www.peerlessmounts.com o llame a servicio al cliente para preguntar sobre el soporte adaptador del modelo LC o PLP para una pantalla en específico (no evaluados por UL).

PARA INSTALAR EN EL SOPORTE ADAPTADOR MODELO PLP DE PEERLESS

NOTA: Consulte la hoja de instrucciones del soporte adaptador modelo PLP para saber cómo fijar el soporte adaptador a la pantalla.

NOTA: Se incluyen los tornillos de M5 x 10 mm con el soporte adaptador modelo PLP.

- 2** Fije el soporte de gancho (**M**) al soporte adaptador usando cuatro tornillos de M5 x 10 mm.



Instalación y desinstalación de la pantalla plana

- 3** Para fijar la pantalla al soporte de pared (A), sujetando la pantalla en un ángulo, lleve el soporte de gancho (M) hacia abajo para que entre en las cavidades del soporte de pared, como se muestra en la figura 3.1. Una vez los clips entren en la cavidad, empuje hacia abajo para que se afiancen, como se muestra en la figura 3.2. Inserte y apriete un tornillo phillips M5 (K) para trabar la pantalla en el soporte de pared, como se muestra en la figura 3.3.

Para quitar la pantalla del soporte, afloje el tornillo (K) y levante la pantalla para sacarla del soporte.

⚠ ADVERTENCIA

- No levante más peso del que puede manejar. Cuenten con otra persona que lo ayude o utilice un equipo mecánico de izar para levantar y colocar la pantalla con seguridad.
- No trabar el soporte de gancho (M) con el tornillo (K) puede causar que la pantalla se caiga del soporte si recibe un golpe accidental.

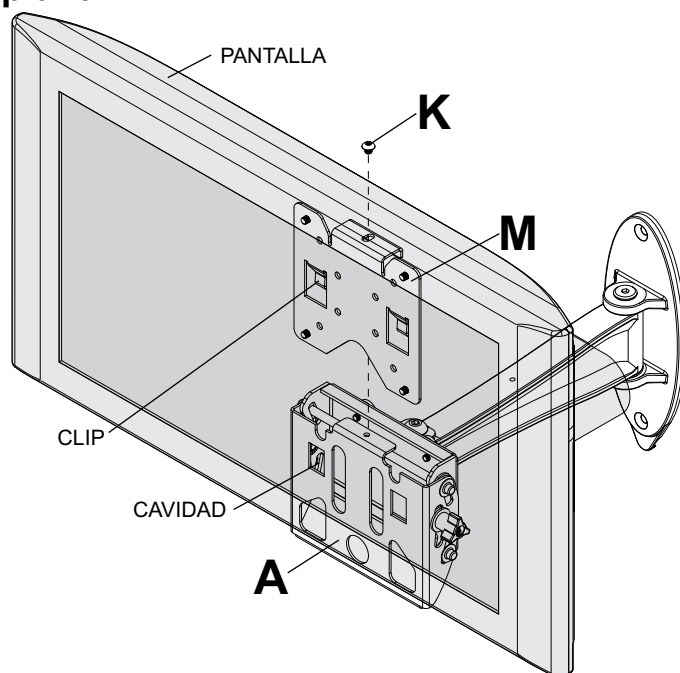


fig. 3.1

- 4** Sujete la pantalla con firmeza y afloje la perilla de tensión que se encuentra en el lado del soporte que se muestra en la figura 4.1 para ajustar la inclinación.

Ajuste la pantalla a la inclinación deseada (15° hacia delante, 5° hacia atrás), luego, vuelva a apretar la perilla de tensión.

- 4-1** Gire la pantalla con la mano para nivelarla. El soporte rotatorio permite un ajuste de 2° de la rotación.

Inserte un tornillo phillips de cabeza plana de 10-32 x 1/2" (O) para trabar la posición de la pantalla, como se muestra en la figura 4.2.

ATENCIÓN

- No apriete los tornillos con fuerza excesiva. Apretarlos en exceso puede dañar el soporte. Apriete los tornillos a un máximo de 40 pulg-lb (4.5 N•m) de par torsor.
- Tenga cuidado de no pincharse los dedos cuando extienda y recoja el soporte contra la pared.

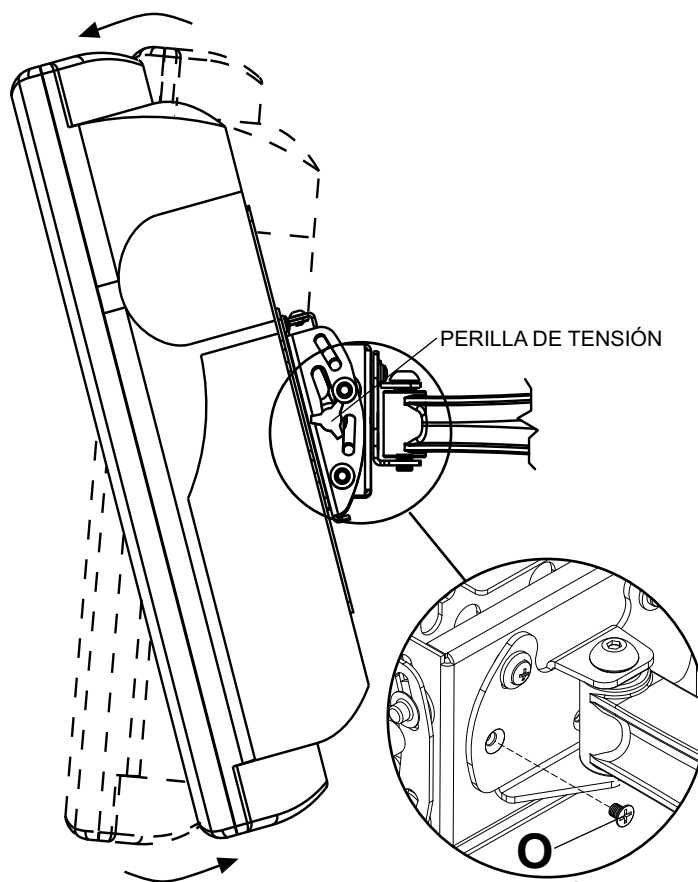


fig. 4.1

fig. 4.2

Manejo de cables

Los cables se pueden acomodar utilizando los sujetacables (P).

- 5-1** Fije el anclaje del sujetacables (Q) a la parte superior o inferior del brazo de pared (A) utilizando un tornillo M4 (R), como se muestra en la figura 5.1.

Fije los cables a la parte superior o inferior del brazo de pared (A) utilizando los sujetacables (P), como se muestra en la figura 5.2.

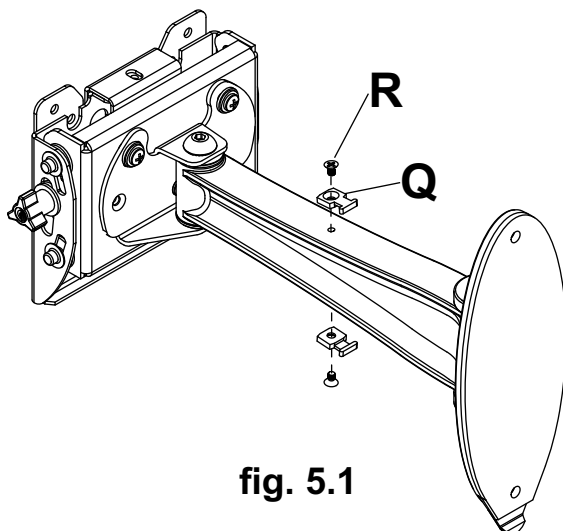


fig. 5.1

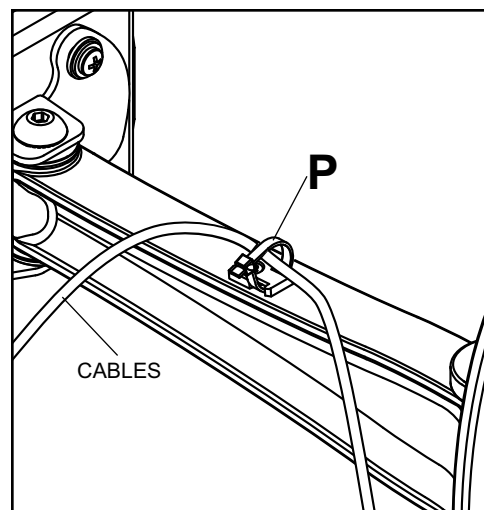
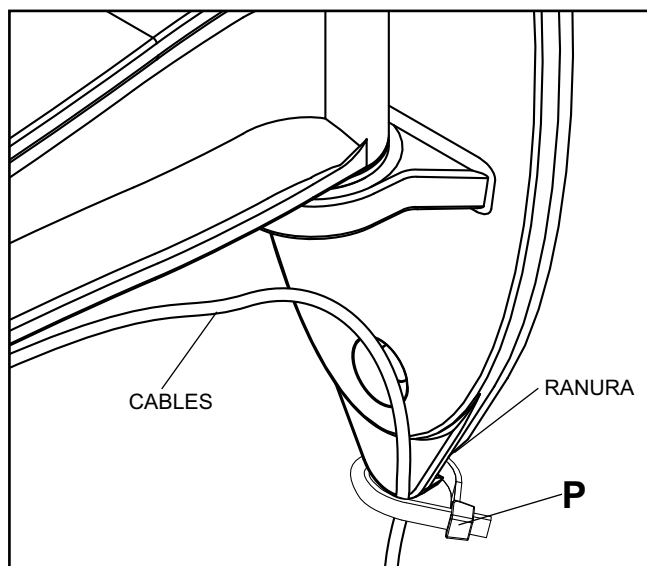


fig. 5.2

- 5-2** También, puede fijar los cables en la ranura de la parte inferior de la placa de pared utilizando un sujetacables (P), como se muestra abajo.

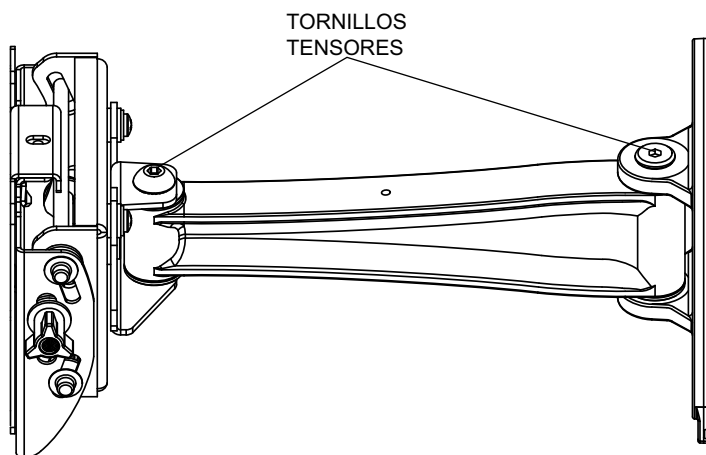


Ajuste Tensor del Brazo

⚠ ADVERTENCIA

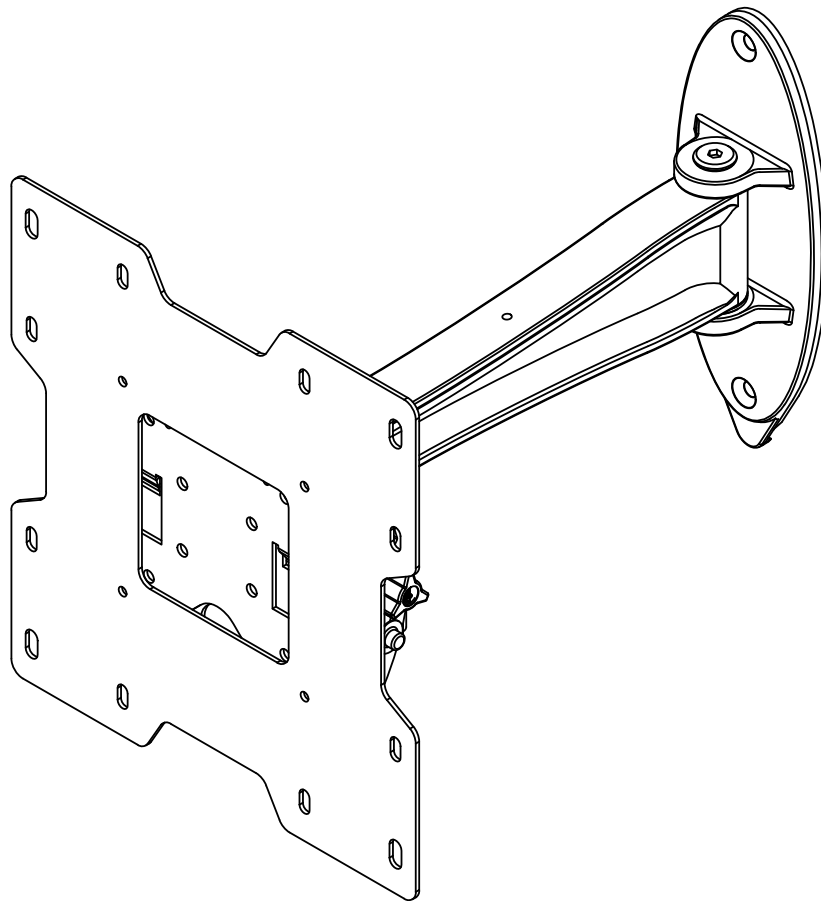
- No retire el tornillo ni lo afloje hasta que se haya desenganchado del soporte. Se podría caer la pantalla.
- Si los tornillos se aflojan con el tiempo, apriételos según sea necesario. Apriete los tornillos a un máximo de 50 pulg-lb (5.6 N•m) de par torsor.

- 6** Si desea aumentar o disminuir la tensión en los puntos de articulación del brazo, haga lo siguiente:
- Para aumentarla, gire el tornillo de cabeza hueca en sentido horario con la llave allen de 5 mm (T).
- NOTA: Apriete los tornillos a un máximo de 50 pulg-lb (5.6 N•m) de par torsor.**
- Para reducirla, gire el tornillo de cabeza hueca en sentido contrahorario con la llave allen de 5 mm (T).
- NOTA: No lo gire más de media vuelta.**



Installation et assemblage :
SmartMount™ Bras mural rotatoire pour écran à cristaux liquides de 22 à 40 po

Modèles : SP740P, SP740P-S, SWV240/BK, SWV240/SI



Caractéristiques :

- Convient aux écrans à cristaux liquides de 22 à 40 po
- Trois points de pivotement pouvant être tensionnés pour permettre un réglage étendu de l'angle visuel
- Compatible avec la configuration VESA® 75/100/200 x 100/200 x 200
- Donne plus d'espace en se repliant à plat contre le mur



Capacité de charge maximale par l'UL établie:
80 lb (36.3 kg)

REMARQUE: lisez entièrement la fiche d'instructions avant de commencer l'installation et l'assemblage.

▲ AVERTISSEMENT

- Ne commencez pas à installer votre produit Peerless avant d'avoir lu et assimilé les instructions et les avertissements contenus dans cette fiche d'installation. Pour toute question concernant les instructions ou les avertissements, veuillez appeler le service à la clientèle de Peerless au 1-800-865-2112; tous les clients internationaux sont priés de contacter leur distributeur local.
- Ce produit doit être installé uniquement par quelqu'un possédant une bonne aptitude à la mécanique, une expérience de la construction immobilière et ayant bien compris ces instructions.
- Assurez-vous que la surface de support puisse soutenir sans danger la charge totale de l'équipement ainsi que des pièces et composants qui y sont attachés.
- Ne dépassez jamais la capacité de charge maximum établie par l'UL. Reportez-vous à la page 21.
- Lors d'une installation sur un mur à montants en bois, assurez-vous que les vis de montage sont ancrées au centre des montants. L'utilisation d'un localisateur de montants « bord à bord » est fortement recommandée.
- Pour lever et positionner l'équipement en toute sécurité, faites-vous toujours aider par une autre personne ou utilisez un dispositif de levage mécanique.
- Serrez fermement les vis, mais sans excès. Un serrage excessif peut endommager les composants et en réduire considérablement la capacité de support.
- Ce produit est conçu uniquement pour un usage intérieur. L'utilisation de ce produit à l'extérieur peut causer une défaillance du produit et des blessures corporelles.
- Ce produit a été conçu uniquement pour une installation sur les types de murs ci-dessous :

TYPE DE MUR

PIÈCES DE FIXATION REQUISES

- | | |
|-----------------------------------|--|
| • Montant en bois | Incluses |
| • Poutre en bois | Incluses |
| • Béton plein | Incluses |
| • Bloc de béton de mâchefer | Incluses |
| • Montant métallique | Ne pas installer sur ce type de mur sauf à l'aide de l'ensemble d'accessoires Peerless pour montants métalliques (non évalué UL) |
| • Brique | Contactez un professionnel qualifié (non évalué UL) |
| • Autre, ou vous n'êtes pas sûr ? | Contactez un professionnel qualifié |

Outils nécessaires au montage

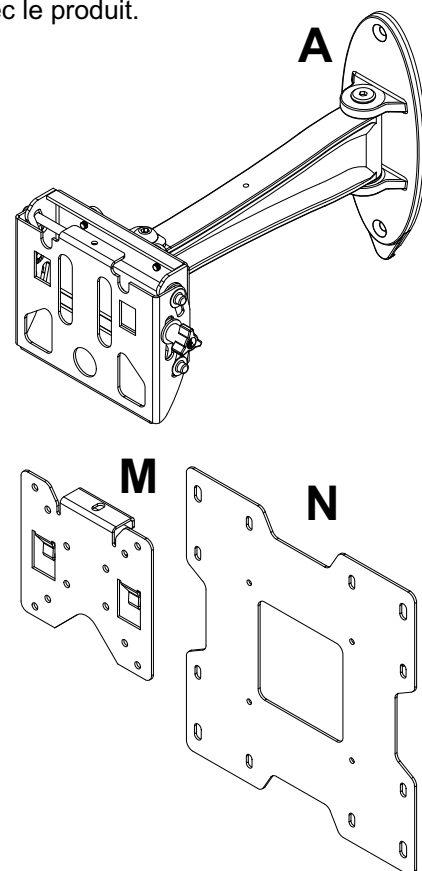
- localisateur de montants (un localisateur de montants « bord à bord » est recommandé)
- tournevis phillips
- foret de 5/32 po (4 mm) pour les murs à montants en bois
- foret de 5/16 po (8 mm) pour les murs à block de béton
- niveau

Tabla de contenido

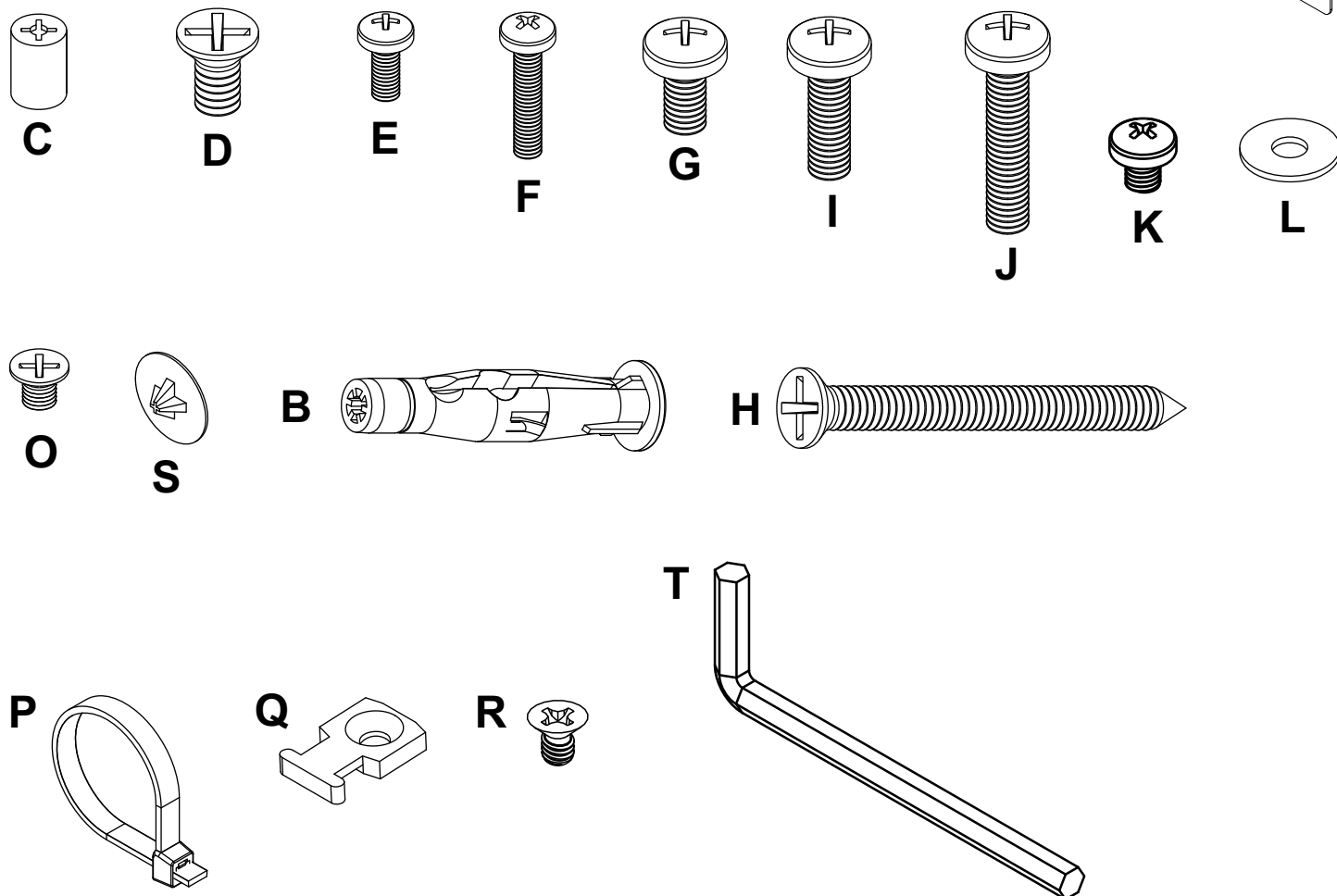
Lista de piezas.....	23
Installation sur un mur a simple montant en bois	24
Installation sur du béton plein ou un bloc de béton de mâchefer	25

Avant de commencer, assurez-vous que toutes les pièces indiquées sont incluses avec le produit.

Description	Qté.	SP740P	SP740P-S
		SWV240/BK	SWV240/SI
		N° de pièce	N° de pièce
A monture murale	1	095-P1640	095-4640
B chevilles d'anrage	2	590-0320	590-0320
C entretoise de retenue	4	590-5005	590-5003
D Vis cruciforme à tête plate 1/4-20 x 0,5 po	2	520-1209	520-2178
E Vis cruciforme M4 x 10 mm	4	504-9012	520-2027
F Vis cruciforme M4 x 20 mm	4	504-9020	504-2014
G Vis cruciforme M6 x 12 mm	4	520-1128	520-2039
H #14 x 63.5 mm flat head wood screw	2	520-1202	520-2165
I Vis cruciforme M6 x 20 mm	4	520-9402	520-2040
J Vis cruciforme M6 x 30 mm	4	510-9109	520-2042
K Vis cruciforme M5 x 6 mm	5	520-1023	520-2214
L Rondelle plate no 10	4	540-9400	540-9442
M Support à crochets	1	095-P1346	095-4346
N Plaque d'adaptation	1	095-P1322	095-4322
O Vis cruciforme à tête plate no 10-32 x 1/4 po	1	520-1108	520-2108
P Attaches de câble	4	560-1756	560-1756
Q Ancrages des attaches de câble	2	590-1290	590-1290
R Vis cruciforme 8-32 x 1/4"	2	520-1622	520-2622
S Cache-vis	2	590-1324	590-4324
T hexagonale de 5 mm	2	560-9640	560-9640
U Foret de #3 (non montré)	1	560-0209	560-0209



Il est possible que les pièces semblent légèrement différentes de celles illustrées ici.



Installation sur un mur à montant en bois

⚠ AVERTISSEMENT

- L'installateur doit s'assurer que la surface de support pourra soutenir sans danger la charge combinée de l'équipement, de toute sa visserie et de tous ses composants.
- Serrez les vis à bois de manière que la plaque murale soit fermement fixée, mais sans excès. Un serrage excessif peut endommager les vis et en réduire considérablement le pouvoir de maintien.
- Ne serrez jamais à plus de 9 Nm (80 po-lb).
- Assurez-vous que les vis de montage sont ancrées au centre des montants. L'usage d'un localisateur de montants « bord à bord » est fortement conseillé.
- La visserie est fournie pour fixer la monture à travers une cloison sèche ou du plâtre d'épaisseur standard et dans des montants en bois. Il appartient aux installateurs de fournir la visserie nécessaire pour d'autres types de situations (non évalué UL).

- 1 À l'aide d'un localisateur de montants, repérez et marquez les bords des montants en bois utilisés pour monter ce produit. Utilisez un niveau pour tracer une ligne verticale le long du centre du montant. Le trou de montage supérieur doit être situé à 3,5 po (89 mm) au-dessus de l'endroit souhaité pour le centre de l'écran comme illustré à la figure 1.1. Percez deux trous de 4 mm (5/32 po) de diamètre et de 64 mm (2,5 po) de profondeur. Fixez le bras mural (**A**) sur le mur à l'aide de deux vis à bois à tête plate n°14 x 2,5 po (**H**) avec foret de #3 (**U**), comme illustré 1.2.

Insérez deux cache-vis (**S**) dans les trous de fixation.

fig. 1.1

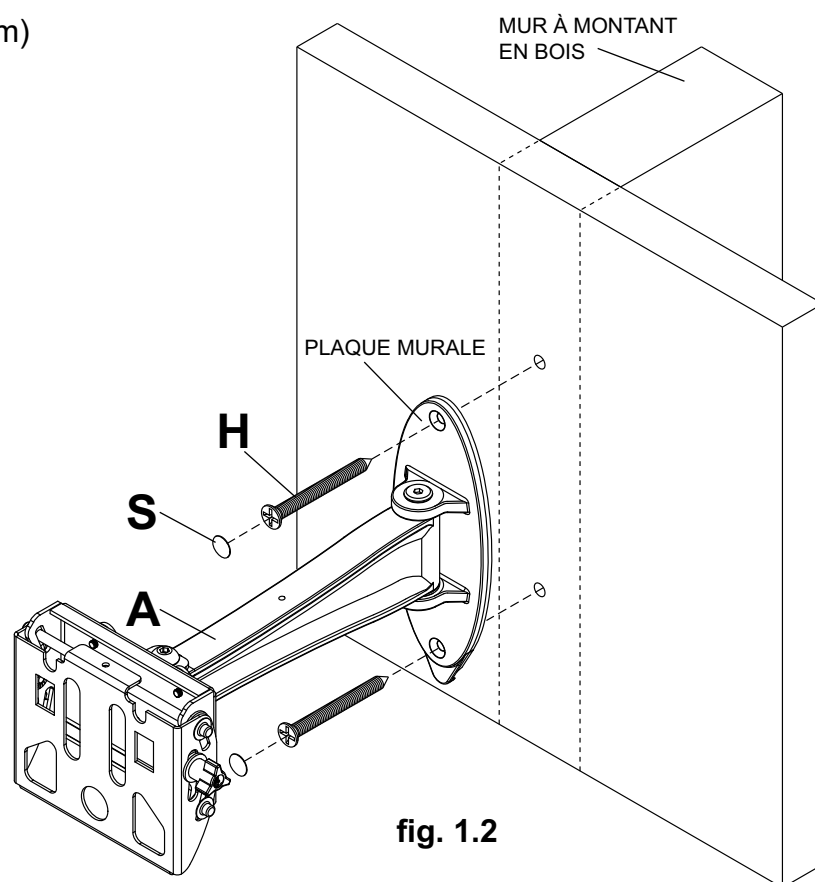
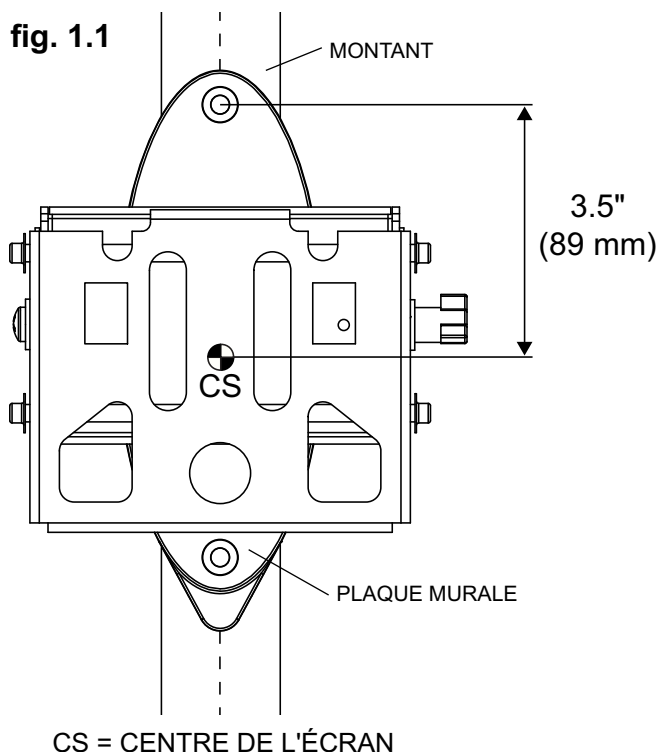


fig. 1.2

Installation sur du béton plein ou un bloc de béton de mâchefer

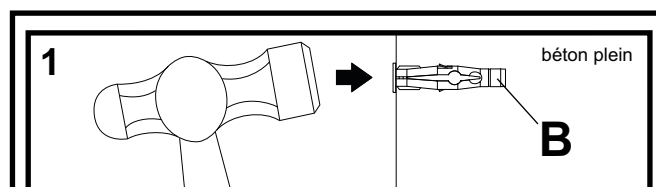
⚠ AVERTISSEMENT

- Si vous installez des montures murales Peerless sur un bloc de béton de mâchefer, vérifiez que vous disposez d'une épaisseur de béton d'au moins 35 mm (1 3/8 po) dans le trou destiné aux ancrages de béton. Ne percez pas dans les joints de mortier ! Veillez à effectuer le montage dans une partie pleine du bloc, généralement à au moins 25 mm (1 po) du côté du bloc. Le bloc de béton de mâchefer doit être conforme aux spécifications de l'ASTM C-90. Pour percer le trou, il est conseillé d'utiliser une perceuse électrique standard sur un réglage bas au lieu d'un marteau perforateur, afin d'éviter de briser la partie arrière du trou lorsque vous pénétrez un vide ou une cavité.
- Le béton doit avoir une densité minimum de 2 000 psi. Un béton de densité moindre risquerait de ne pas retenir un ancrage de béton.
- Assurez-vous que la surface de support pourra soutenir sans danger la charge combinée de l'équipement, de toute sa visserie et de tous ses composants.

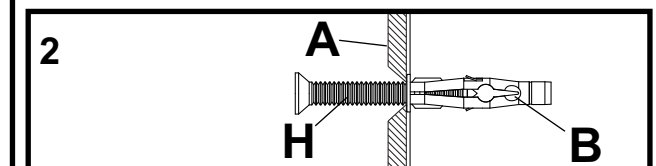
- 1** Utilisez la plaque murale comme gabarit pour marquer le centre des trous. Le trou de montage supérieur doit être situé à 3,5 po (89 mm) au-dessus de l'endroit souhaité pour le centre de l'écran comme illustré à la figure 1.1 en page 24. Percez deux trous de 5/16 po (8 mm) de dia. à une profondeur minimale de 2,5 po (64 mm). Insérez les chevilles d'ancrage (B) dans les trous. Posez le support mural (A) sur les chevilles d'ancrage et fixez-le au mur à l'aide de deux vis à bois à tête plate no 14 x 2,5 po (H) avec foret de #3 (U). Insérez deux cache-vis (S) dans les trous de fixation.

⚠ AVERTISSEMENT

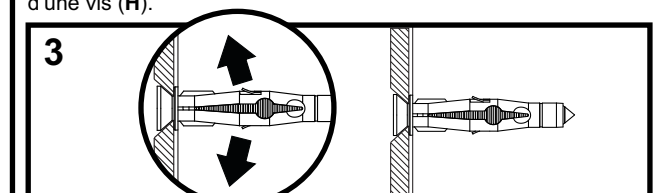
- Serrez les vis de manière que la plaque murale soit fermement fixée, mais sans excès. Un serrage excessif peut endommager les vis et en réduire considérablement le pouvoir de maintien.
- Ne serrez jamais à plus de 9 Nm (80 po-lb).
- Fixez toujours des ancrages de béton directement sur du béton porteur.
- Ne fixez jamais d'ancrages sur du béton recouvert de plâtre, une cloison sèche ou autre matériau de finition. Si vous ne pouvez pas éviter d'effectuer le montage sur du béton recouvert d'une surface de finition, celle-ci doit être chambrée (non évalué UL), comme indiqué cidessous. Assurez-vous que les ancrages de béton ne se séparent pas du béton lorsque vous serrez les vis. Si l'épaisseur du plâtre / de la cloison sèche dépasse 16 mm (5/8 po), des fixations adaptées devront être fournies par l'installateur (non évalué UL).



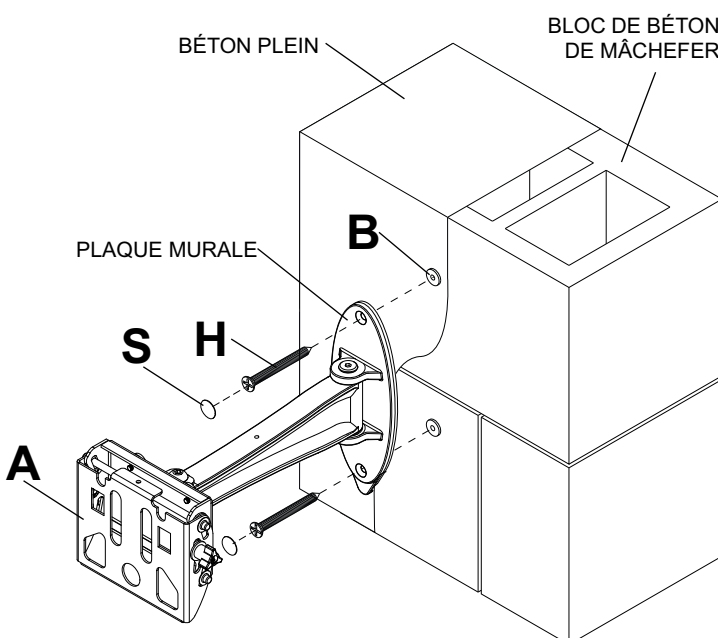
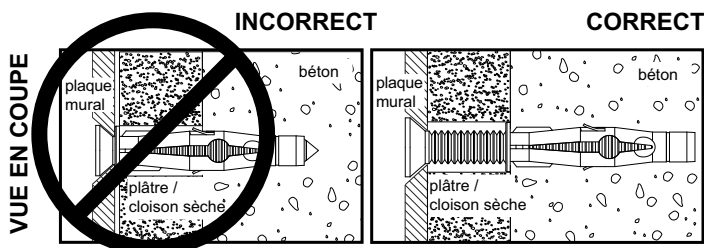
Percez les trous et insérez les chevilles d'ancrage (B).



Posez la plaque murale (A) sur l'ancrage (B) et fixez-la à l'aide d'une vis (H).



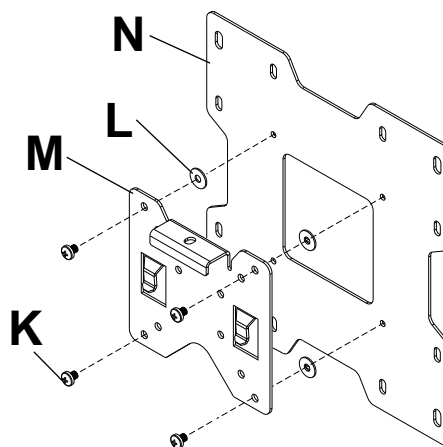
Serrez toutes les fixations.



Fixation de la plaque d'adaptation à un écran compatible à la norme de montage VESA® 200 x 100 ou 200 x 200

REMARQUE : Pour les configurations vesa 75 mm et 100 mm, voir la page suivante.

- 2** Fixez le support d'accrochage (M) à la plaque d'adaptation (N) à l'aide de quatre vis M5 x 6 mm (K) et de rondelles no 10 (L) comme illustré.



⚠ ADVERTISSEMENT

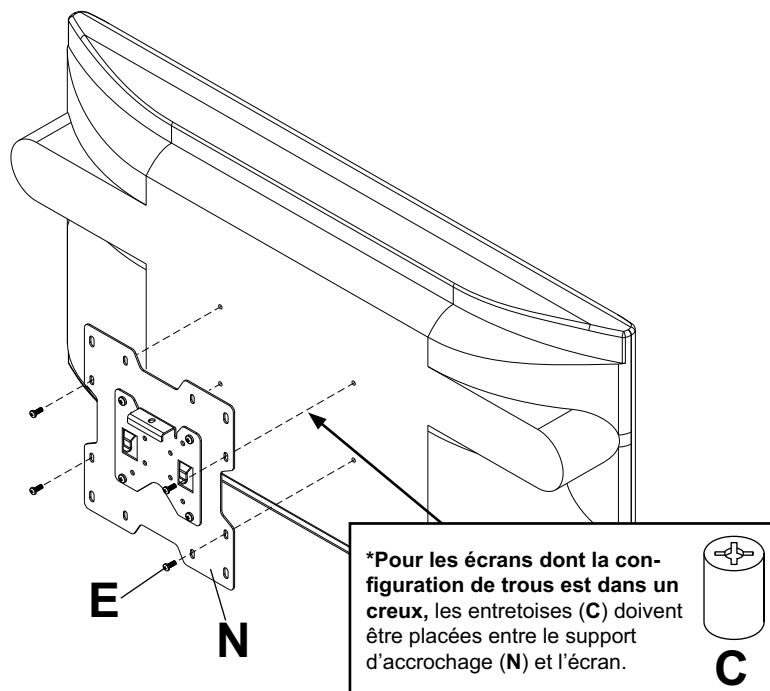
- Si les vis ne sont pas enfoncées de trois tours complets dans les inserts ou si elles sont serrées au maximum sans parvenir à fixer solidement la plaque adaptatrice, l'écran peut être abîmé ou le produit détérioré.

POUR LA CONFIGURATION DE MONTAGE VESA® 200 x 100 :

- 2-1** Choisissez la configuration de trous illustrée cidessous. Fixez la plaque d'adaptation (N) au dos de l'écran à l'aide de quatre vis M4 x 10 mm (E) comme illustré ci-dessous.

* **REMARQUE :** Si la vis (E) ne se visse pas sur au moins trois filetages, fixez la plaque d'adaptation (N) au dos de l'écran à l'aide de quatre vis M4 x 20 mm (F) et quatre entretoises (C) comme indiqué ci-dessous.

Passez à l'étape 3 à la page 28.

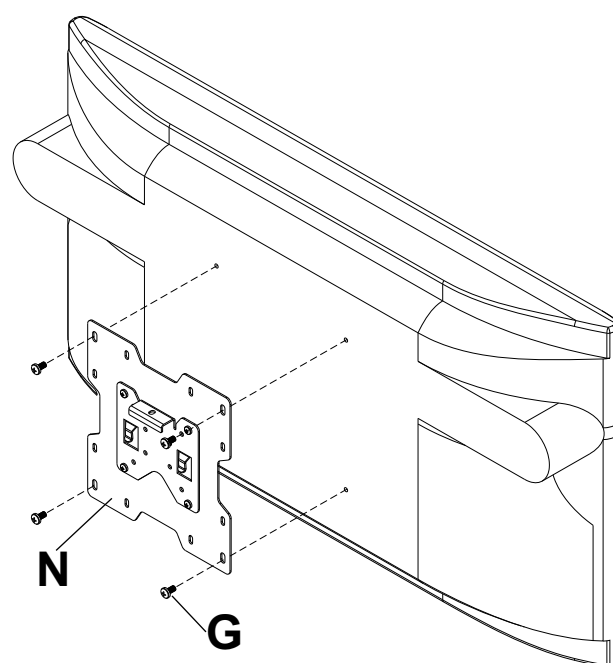


POUR LA CONFIGURATION DE MONTAGE VESA® 200 x 200 :

Choisissez la configuration de trous illustrée cidessous. Fixez la plaque d'adaptation (N) au dos de l'écran à l'aide de quatre vis M6 x 12 mm (G) comme illustré ci-dessous.

***REMARQUE :** Si la vis (G) ne se visse pas sur au moins trois filetages, fixez la plaque d'adaptation (N) au dos de l'écran à l'aide de quatre vis M6 x 20 mm (I). Si la vis (I) ne se visse toujours pas sur au moins trois filetages, utilisez quatre vis M6 x 30 mm (J).

Passez à l'étape 3 à la page 28.



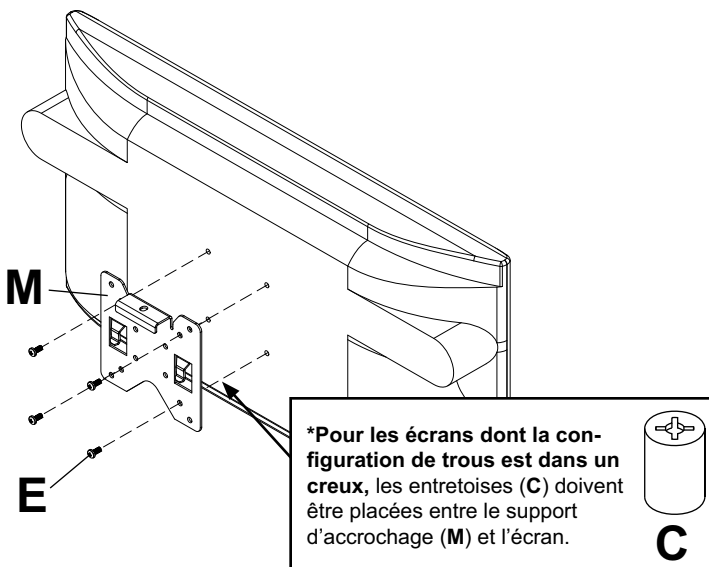
⚠ ADVERTISSEMENT

- Si les vis ne sont pas enfoncées de trois tours complets dans les inserts ou si elles sont serrées au maximum sans parvenir à fixer solidement la plaque adaptatrice, l'écran peut être abîmé ou le produit détérioré.

POUR LA CONFIGURATION DE MONTAGE VESA® 75 :

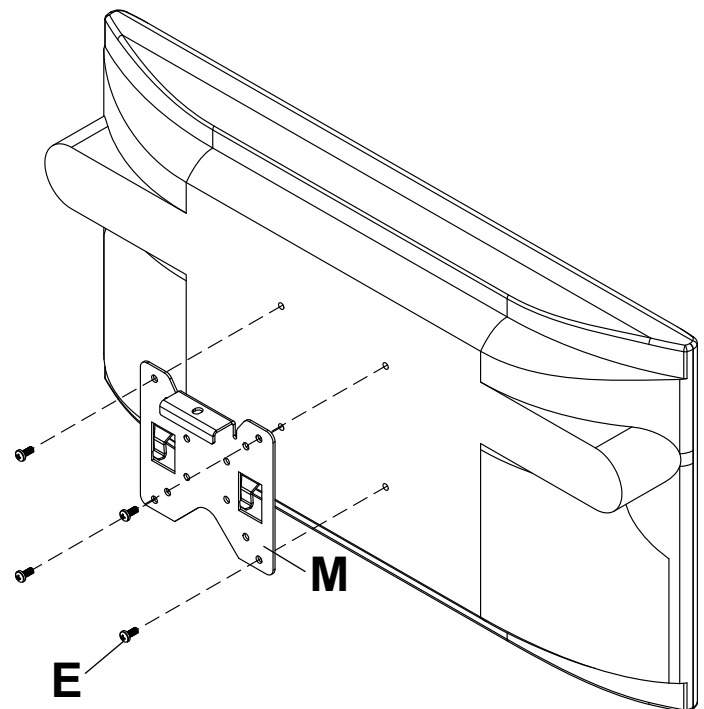
2 Choisissez la configuration de trous illustrée ci-dessous. Fixez le support d'accrochage (**M**) au dos de l'écran à l'aide de quatre vis M4 x 10 mm (**E**) comme illustré ci-dessous.

* **REMARQUE** : Si la configuration de trous est dans un creux, fixez le support d'accrochage (**M**) au dos de l'écran à l'aide de quatre vis M4 x 20 mm (**F**) et quatre entretoises de retenue (**C**) comme indiqué ci-dessous.



POUR LA CONFIGURATION DE MONTAGE VESA® 100 :

Choisissez la configuration de trous illustrée ci-dessous. Fixez le support d'accrochage (**M**) au dos de l'écran à l'aide de quatre vis M4 x 10 mm (**E**) comme illustré ci-dessous.



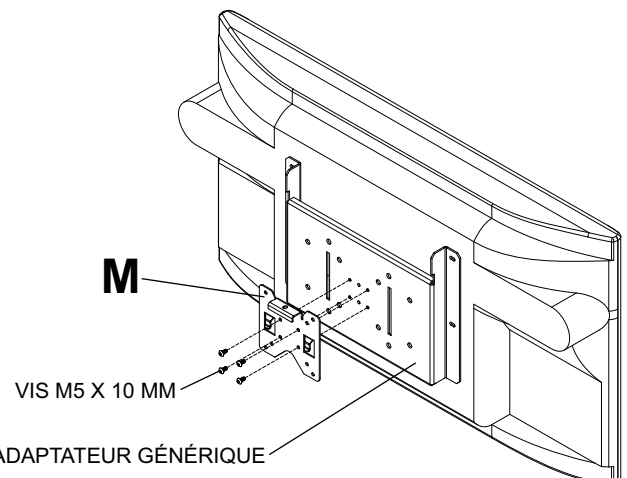
Pour déterminer la compatibilité avec l'écran, veuillez consulter la liste d'interfaces avec les écrans ACL ou plasma sur notre site Web à l'adresse www.peerlessmounts.com ou appeler le service à la clientèle pour demander quel type de support adaptateur modèle LC ou PLP s'adapte à votre écran (non évalués aux normes UL).

INSTALLATION À UN SUPPORT ADAPTATEUR PEERLESS DE MODÈLE PLP

REMARQUE : Veuillez vous reporter à la feuille d'instructions sur le support adaptateur de modèle PLP pour la fixation du support adaptateur à l'écran.

REMARQUE : Des vis M5 x 10 mm sont fournies avec le support adaptateur de modèle PLP.

2 Fixez le support d'accrochage (**M**) au support adaptateur à l'aide de quatre vis M5 x 10 mm.



Montage et démontage de l'écran plat

- 3** Pour fixer l'écran au support mural (A), abaissez le support d'accrochage (M), dans les trous du support mural. Lorsque les crochets sont bien engagés, poussez vers le bas pour les enfoncer dans les trous. Insérez la vis Phillips M5 et serrez-la (K) pour fixer l'écran au support mural comme illustré à la figure 3.3.

Pour retirer l'écran du support, desserrez la vis (K) et soulevez-le hors du support.

⚠ ADVERTISSEMENT

- Ne soulevez pas plus de poids que vous ne pouvez en manipuler. Faites-vous aider ou utilisez un équipement mécanique pour placer l'écran en toute sécurité.
- Si les crochets de support d'accrochage (M) ne sont pas fixés avec la vis (K), l'écran pourrait tomber du support, s'il est heurté accidentellement.

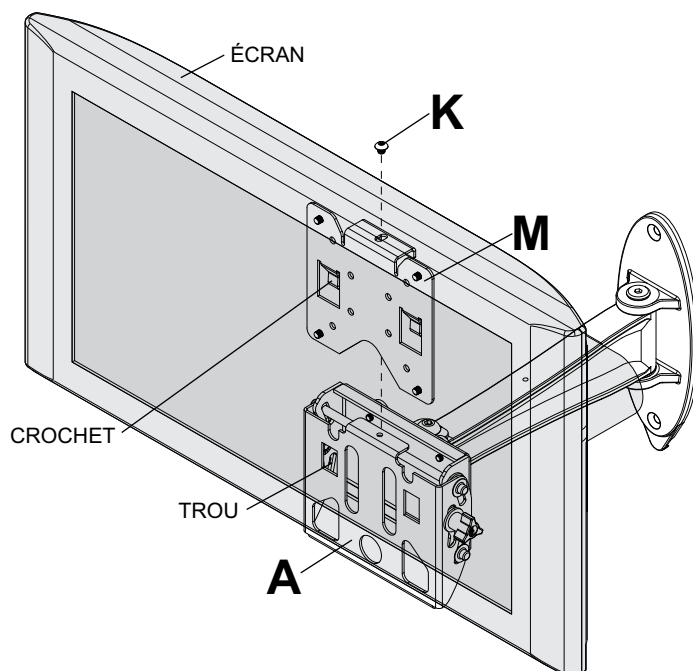


fig. 3.1

- 4** Tenez fermement l'écran et desserrez le bouton de tension situé sur le côté du support comme illustré à la figure 4.1 afin de pouvoir l'incliner.

Réglez l'écran dans la position d'inclinaison souhaitée (15° vers l'avant, 5° vers l'arrière), puis resserrez le bouton de tension.

- 4-1** Faites pivoter l'écran à la main pour le mettre de niveau. Le support de pivotement latéral permet un réglage du pivotement latéral sur 2°.

Insérez une vis Phillips à tête plate no 10-32 x 1/2 po (O) pour bloquer l'écran en place comme illustré à la figure 4.2.

ATTENTION

- N'employez pas une force excessive pour serrer les vis. Un serrage excessif peut endommager le support. Serrez les vis à un couple maximum de 4,5 Nm (40 po-lb).
- Prenez garde à ne pas vous pincer les doigts lorsque vous poussez l'écran depuis le bas.

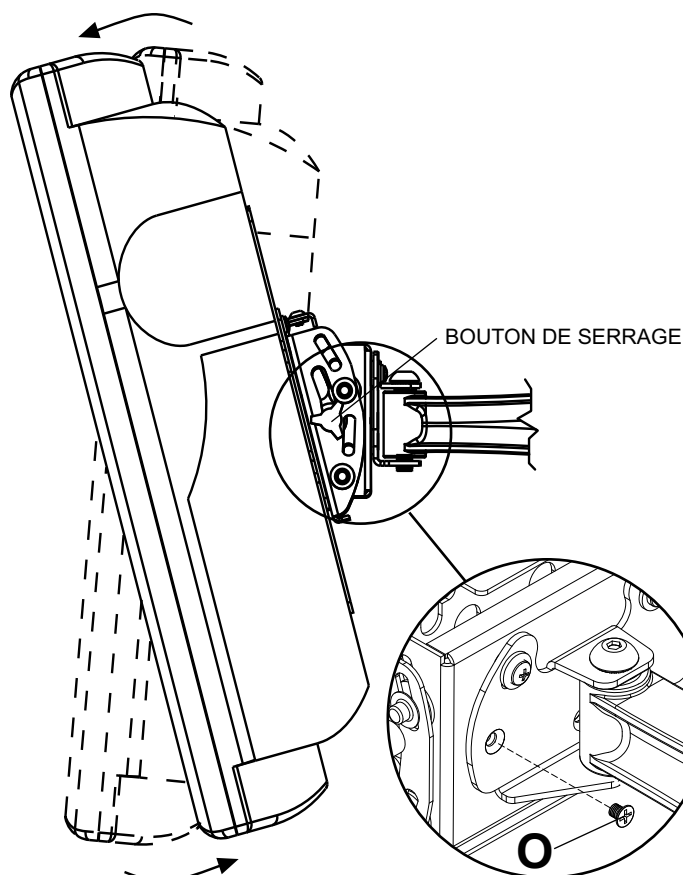


fig. 4.1

fig. 4.2

Gestion des câbles

Les câbles peuvent être acheminés à l'aide d'attaches de câble (**P**).

- 5-1** Fixez l' ancrage des attaches de câble (**Q**) au haut ou au bas du bras mural (**A**) à l'aide d'une vis Phillips 8/32 x 1/4 (**R**) comme illustré à la figure 5.1.

Attachez les câbles au haut ou au bas du bras mural (**A**) à l'aide d'attaches de câble (**P**) comme illustré à la figure 5.2.

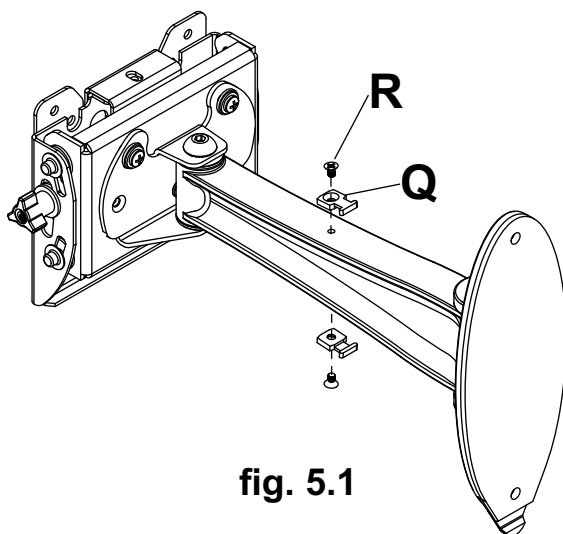


fig. 5.1

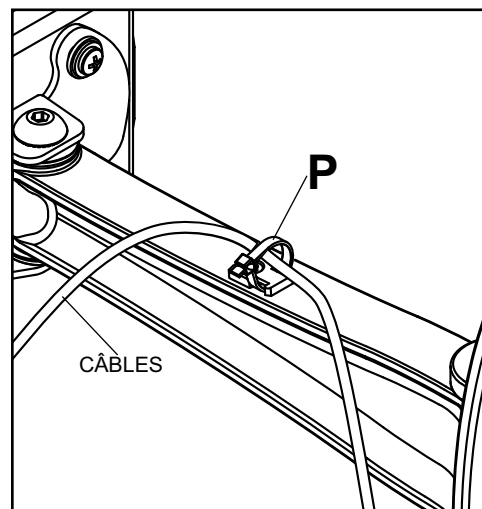
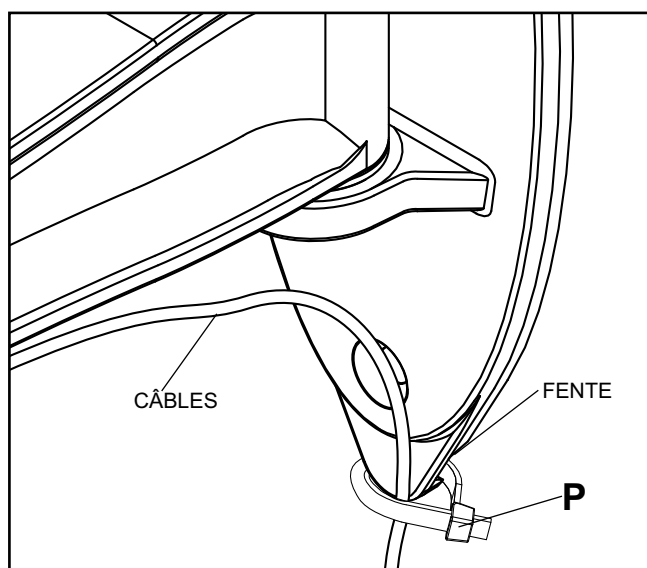


fig. 5.2

- 5-2** Les câbles peuvent également être attachés à la fente située au bas de la plaque murale à l'aide d'une attache de câble (**P**) comme illustré ci-dessous.

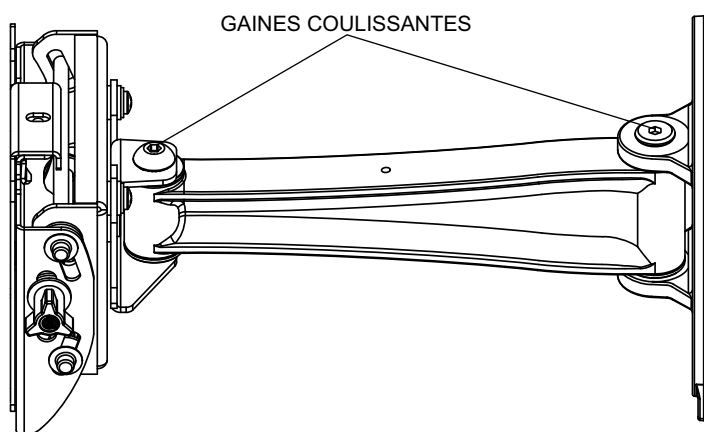


Réglage de la tension du bras

⚠ AVERTISSEMENT

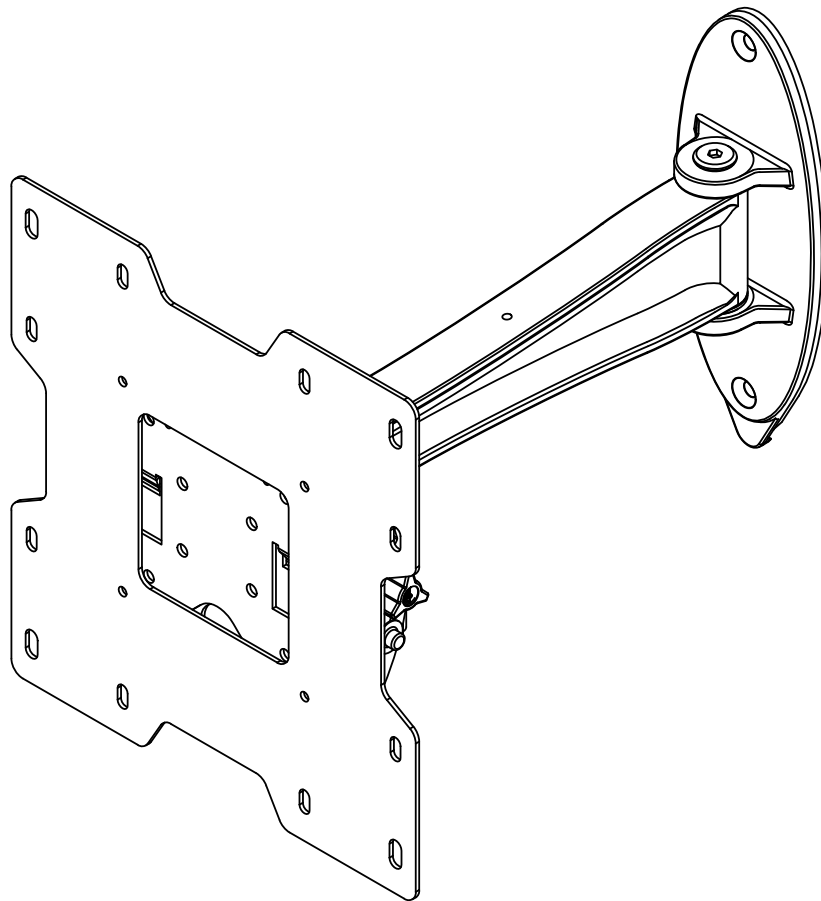
- Ne pas retirer ni desserrer la vis avant qu'elle ne soit complètement dégagée du support. Cela risquerait de faire tomber l'écran.
- Si les vis se desserrent au fil du temps, resserrez-les au besoin. Serrez les vis à un couple maximal de 50 po-lb (5,6 Nm).

- 6** Procédez comme suit pour augmenter ou diminuer la tension des points de pivotement du bras :
- Pour augmenter la tension, tournez la ou les vis de tension dans le sens horaire avec la clé hexagonale de 5 mm (T). **REMARQUE : Serrez les vis à un couple maximum de 5,6 Nm (50 po-lb).**
 - Pour diminuer la tension, tournez la ou les vis de tension dans le sens antihoraire avec la clé hexagonale de 5 mm (T). **REMARQUE : Ne tournez pas de plus d'un demi-tour.**



**Anbringung und Zusammenbau:
SmartMount™-LCD-Wandhalterung mit Schwenken
LCD-Bildschirme von 22 - 40 Zoll**

Modelle: SP740P, SP740P-S, SWV240/BK, SWV240/SI



Merkmale:

- Für LCD-Bildschirme von 22 - 40 Zoll (56 - 102 cm)
- Drei spannbare Gelenke bieten vielseitige Einstellmöglichkeiten des Betrachtungswinkels
- Kompatibel mit VESA® 75/100/200 x 100/200 x 200
- Flach an die Wand klappbare Ausführung spart Platz



Maximale UL Tragfähigkeit: 80 lb (36.3 kg)

HINWEIS: Lesen Sie die gesamte Anleitung, bevor Sie mit der Anbringung und dem Zusammenbau beginnen.

⚠ ACHTUNG

- Beginnen Sie mit der Anbringung Ihres Peerless-Produkts erst, nachdem Sie die in dieser Montageanleitung enthaltenen Anleitungen und Achtungshinweise gelesen und sich gründlich mit ihnen vertraut gemacht haben. Falls Sie Fragen hinsichtlich irgendeiner der Anleitungen oder Achtungshinweise haben, wenden Sie sich in den USA bitte an den Peerless-Kundendienst unter der Rufnummer 1-800-865-2112. Kunden im Ausland wenden sich bitte an den örtlichen Vertragshändler.
- Dieses Produkt darf nur von Personen mit guten mechanischen Fähigkeiten montiert werden, die über Erfahrung in den Grundlagen der Baukonstruktion verfügen und diese Anleitungen vollkommen verstehen.
- Vergewissern Sie sich, dass die tragende Fläche das Gesamtgewicht der Geräte und allen daran angebrachten Befestigungsteilen und Komponenten sicher tragen kann.
- Die maximale UL Tragfähigkeit darf niemals überschritten werden. Siehe Seite 31.
- Achten Sie bei der Anbringung an Holzständern darauf, dass die Befestigungsschrauben jeweils in der Mitte der Holzständer verankert sind. Am besten eignet sich ein Balkenfinder mit genauer Kantenanzeige.
- Ziehen Sie immer eine zusätzliche Person heran oder verwenden Sie mechanische Hebeegeräte, um Geräte sicher zu heben und zu positionieren.
- Ziehen Sie die Schrauben fest an, ohne sie zu überdrehen. Durch Überdrehen können die Teile beschädigt werden, wodurch ihr Haltevermögen stark reduziert wird.
- Dieses Produkt ist nur für den Gebrauch innerhalb von Gebäuden bestimmt. Eine Verwendung dieses Produkts im Freien kann zu Produktausfall und Personenschaden führen.
- Dieses Produkt wurde nur für die Anbringung an den folgenden Wandkonstruktionen ausgelegt:

WANDKONSTRUKTION

ERFORDERLICHE BEFESTIGUNGSTEILE

- | | |
|---|--|
| <ul style="list-style-type: none"> • Holzständer • Holzbalken • Massivbeton • Porenbetonstein • Metallständer • Ziegel • Andere oder nicht sicher? | <ul style="list-style-type: none"> Inbegriffen Inbegriffen Inbegriffen Inbegriffen Nur mit metallständer-zubehörsatz von Peerless anbringen (nicht UL-zugelassene) Qualifizierten fachmann konsultieren (nicht UL-zugelassene) Qualifizierten fachmann konsultieren |
|---|--|

Für den Zusammenbau erforderliche Werkzeuge

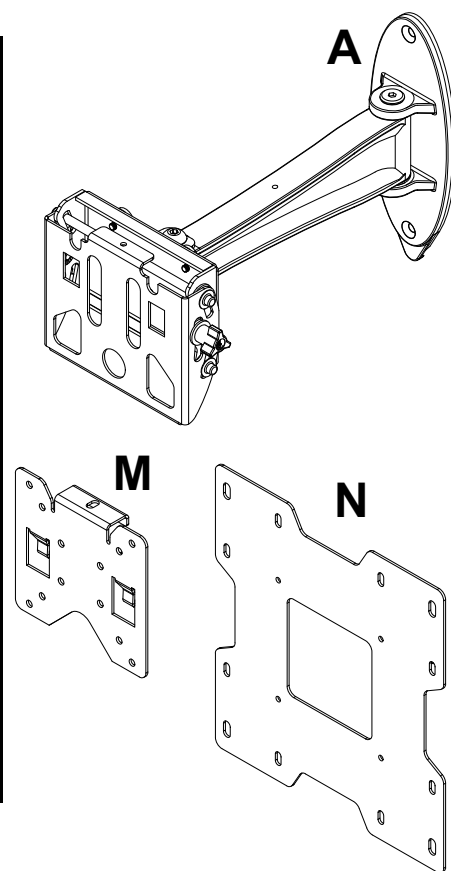
- Balkenfinder (Balkenfinder mit genauer Kantenanzeige empfohlen)
- Kreuzschlitzschraubendreher
- 5/16 Zoll (8 mm) Bit für Beton- und Porenbetonsteinwand
- 5/32 Zoll (4 mm) Bit für Holzständerwand
- Wasserwaage

Inhaltsverzeichnis

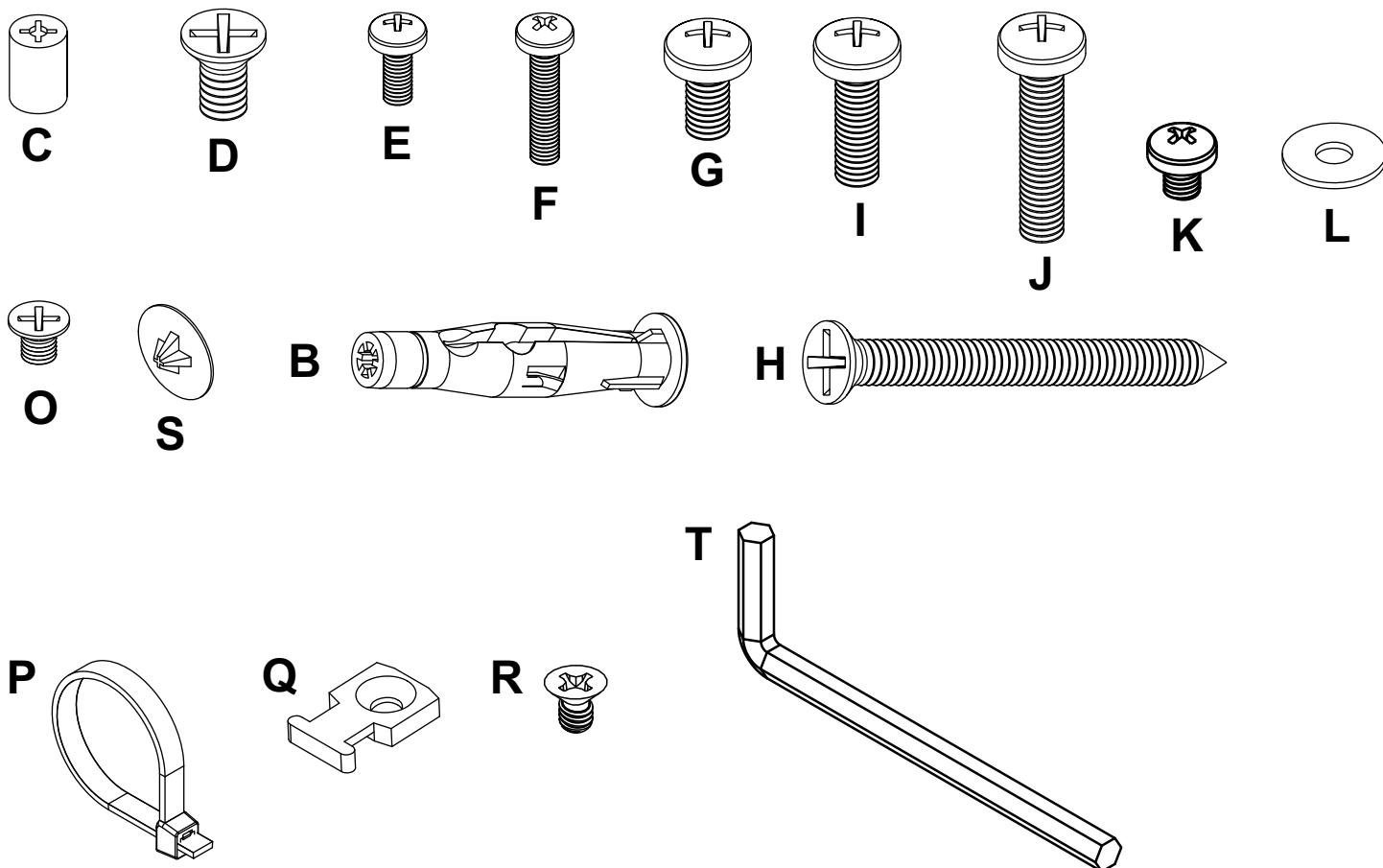
Teileliste.....	33
Anbringung an Wand mit einer Holzständerreihe.....	34
Anbringung an Massivbeton oder Porenbetonstein	35

Vergewissern Sie sich vor Beginn der Arbeiten, dass alle dargestellten Teile mit Ihrem Produkt mitgeliefert wurden.

Teileliste			SP740P	SP740P-S
Beschreibung		Anz.	SWV240/BK Teile Nr.	SWV240/SI Teile Nr.
A	Wandarm	1	095-P1640	095-4640
B	Betondübel	2	590-0320	590-0320
C	Abstandhalter	4	590-5005	590-5003
D	1/4-20 x ,5 Zoll Schraube	2	520-1209	520-2178
E	M4 x 10 mm Kreuzschlitzschraube	4	504-9012	520-2027
F	M4 x 20 mm Kreuzschlitzschraube	4	504-9020	504-2014
G	M6 x 12 mm Kreuzschlitzschraube	4	520-1128	520-2039
H	#14 x 2,5 Zoll Holzschraube	2	520-1202	520-2165
I	M6 x 20 mm Kreuzschlitzschraube	4	520-9402	520-2040
J	M6 x 30 mm Kreuzschlitzschraube	4	510-9109	520-2042
K	M5 x 6 mm Kreuzschlitzschraube	5	520-1023	520-2214
L	Scheiben Nr. 10	4	540-9400	540-9442
M	Hakenhalterung	1	095-P1346	095-4346
N	Adapterplatte	1	095-P1322	095-4322
O	Nr. 10-32 x 1/4 Zoll Kreuzschlitz-Senkkopfschraube	1	520-1108	520-2108
P	Kabelbinder	4	560-1756	560-1756
Q	Kabelbinderanker	2	590-1290	590-1290
R	8-32 x 1/4" Kreuzschlitzschraube	2	520-1622	520-2622
S	Schraubenabdeckung	2	590-1324	590-4324
T	5 mm Inbusschlüssel	2	560-9640	560-9640
U	#3 Bohrer (nicht angezeigt)	1	560-0209	560-0209



Die Teile können etwas anders als in der Abbildung aussehen.



Anbringung an Wänden mit einer Holzständerreihe

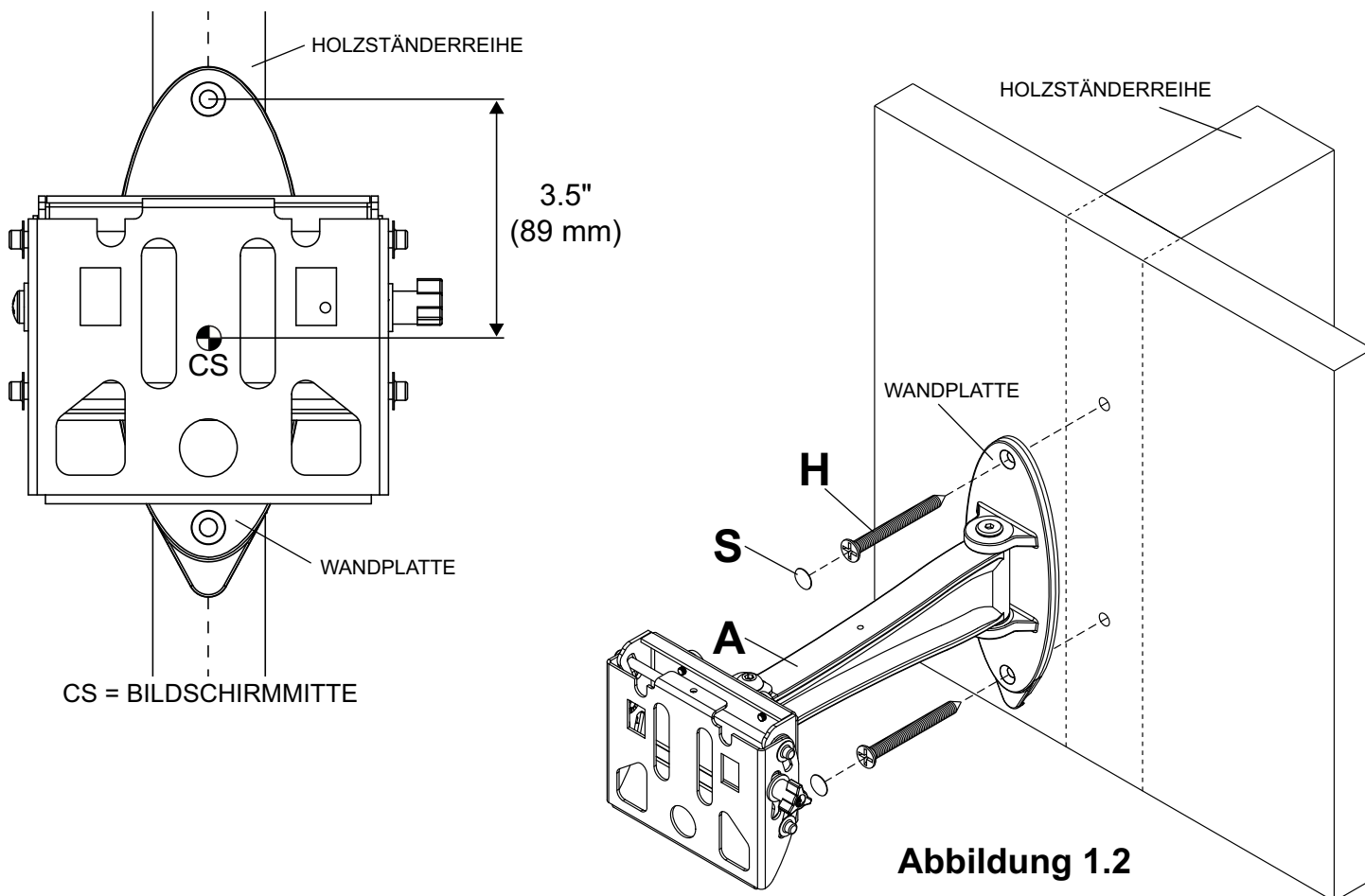
⚠ ACHTUNG

- Bei der Anbringung muss darauf geachtet werden, dass die Wand die kombinierte Last von Bildschirm und allen Befestigungsteilen und -komponenten tragen kann.
- Ziehen Sie die Schrauben fest genug an, dass die Wandplatte sicher befestigt ist, doch ohne sie zu überdrehen. Durch Überdrehen können die Schrauben beschädigt werden, wodurch ihr Haltevermögen stark reduziert wird.
- Das Drehmoment darf 80 in. • lb (9 Nm.) auf keinen Fall überschreiten.
- Achten Sie darauf, dass die Befestigungsschrauben jeweils in der Mitte der Holzständer verankert werden. Am besten eignet sich ein Balkenfinder mit genauer Kantenanzeige.
- Die mitgelieferten Befestigungsteile sind für die Befestigung des Halters durch Trocken- oder Putzwand standardmäßiger Stärke in Holzständer vorgesehen. Für die Anbringung an anders konstruierten Wänden müssen andere (nicht UL-zugelassene) Befestigungsteile verwendet werden.

- 1** Stellen Sie mithilfe eines Balkenfinders die Position des Ständers fest, an dem die Halterung montiert werden soll, und markieren Sie die Kanten. Ziehen Sie unter Verwendung einer Wasserwaage eine senkrechte Linie entlang der Mitte des Ständers. Die obere Montagebohrung sollte sich wie in Abbildung 1.1 dargestellt 89 mm (3,5 Zoll) oberhalb der gewünschten Bildschirmmitte befinden. Verwenden Sie die Wandplatte als Schablone und markieren Sie den Mittelpunkt der Löcher auf der senkrechten Linie. Bohren Sie zwei Löcher mit einem Durchmesser von 4 mm (5/32 Zoll) und einer Tiefe von 64 mm (2,5 Zoll). Befestigen Sie den Wandhalter (**A**) mit den zwei Nr. 14 x 2,5 Zoll Flachkopf-Holzschrauben (**H**) mit einem Bohrer #3 (**U**), wie in Abbildung 1.2 gezeigt an der Wand.

Setzen Sie zwei Schraubenabdeckungen (**S**) in die Montagebohrungen ein.

Abbildung 1.2



⚠ ACHTUNG

- Bei der Anbringung von Peerless-Wandhaltern an Porenbetonstein muss sichergestellt werden, dass die tatsächliche Stärke des Betons, in den das Loch für die Betondübel gebohrt wird, mindestens 35 mm (1 3/8 Zoll) beträgt. Bohren Sie nicht in Mörtelfugen! Achten Sie darauf, dass die Anbringung an einem massiven Teil des Blocks erfolgt, im Allgemeinen mindestens 25 mm (1 Zoll) von der Blockseite entfernt. Die Porenbetonsteine müssen den Spezifikationen der ASTM-Norm C-90 entsprechen. Wir empfehlen, zum Bohren des Lochs anstelle eines Schlagbohrers einen standardmäßigen Elektrobohrer bei niedriger Einstellung zu verwenden, um zu verhindern, dass die Bohrungsrückseite beim Eintritt in einen Leer- oder Hohlraum ausbricht.
- Die Betondruckfestigkeit muss mindestens 2000 psi betragen. In Beton mit geringerer Druckfestigkeit kann der Betondübel u. U. nicht halten.
- Vergewissern Sie sich, dass die Wand das Vierfache des Gesamtgewichts von Geräten und allen daran angebrachten Befestigungsteilen und Komponenten sicher tragen kann.

- 1** Verwenden Sie die Wandplatte als Schablone, um den Mittelpunkt der Bohrungen zu markieren. Die obere Montagebohrung sollte sich wie in Abbildung 1.1 auf Seite 34 dargestellt 89 mm (3,5 Zoll) oberhalb der gewünschten Bildschirmmitte befinden. Bohren Sie zwei Löcher mit einem Durchmesser von 8 mm (5/16 Zoll) und einer Mindestdiefe von 64 mm (2,5 Zoll). Setzen Sie die Dübel (B) in die Bohrungen ein. Setzen Sie den Wandhalter (A) über die Dübel und befestigen Sie ihn mit den beiden Nr. 14 x 2,5 Zoll Flachkopf-Holzschrauben (H) mit einem Bohrer #3 (U) an der Wand. Setzen Sie zwei Schraubenabdeckungen (S) in die Montagebohrungen ein.

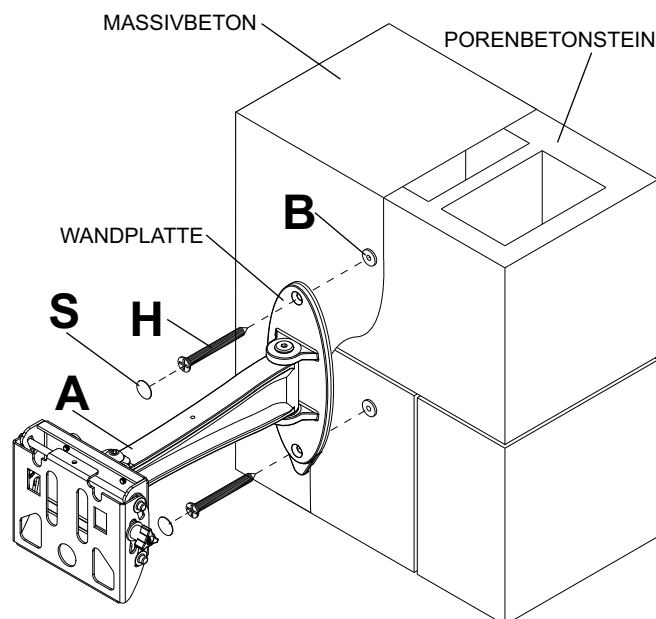
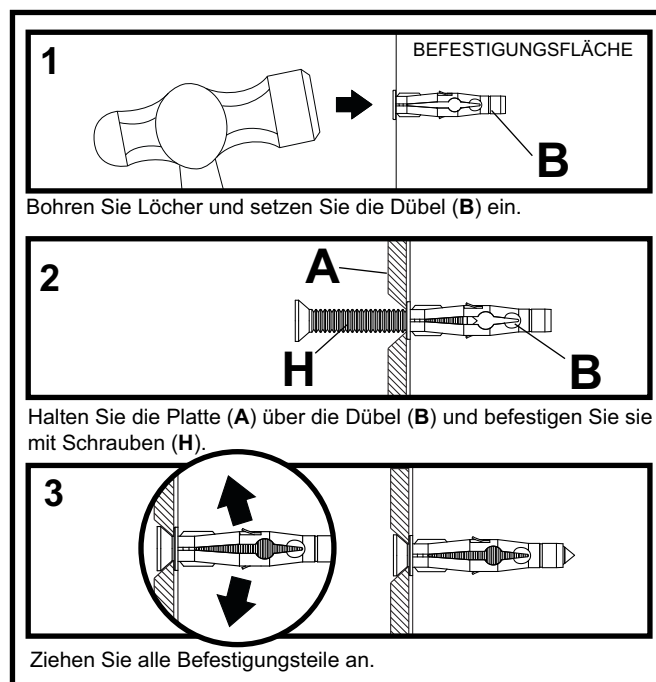
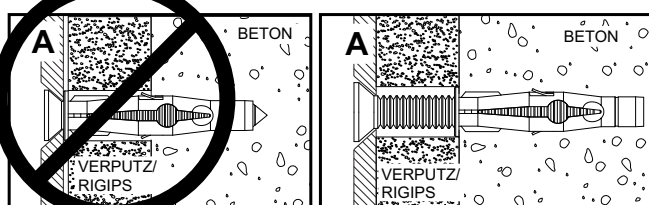
⚠ ACHTUNG

- Ziehen Sie die Schrauben fest genug an, dass die Wandplatte sicher befestigt ist, doch ohne sie zu überdrehen. Durch Überdrehen können die Schrauben beschädigt werden, wodurch ihr Haltevermögen stark reduziert wird.
- Das Drehmoment darf 80 in. • lb (9 Nm.) auf keinen Fall überschreiten.
- Betonspreizdübel müssen stets direkt am tragenden Beton angebracht werden.
- Betonspreizdübel dürfen auf keinen Fall an Beton befestigt werden, der mit Verputz, Trockenwandmaterial oder anderem Deckschichtmaterial bedeckt ist. Falls es nicht vermeiden lässt, die Montage an einer Betonfläche mit Deckschicht vorzunehmen (nicht UL-zugelassene), muss wie nachstehend dargestellt eine Senkung in die Deckschicht gebohrt werden. Vergewissern Sie sich, dass die Betondübel beim Anziehen der Schrauben nicht vom Beton weg gezogen werden. Falls der Verputz bzw. das Trockenwandmaterial dicker ist als 16 mm (5/8 Zoll), müssen von der für die Montage zuständigen Person Spezialbefestigungsteile bereitgestellt werden (nicht UL-zugelassene).

SCHNITTANSICHT

FALSCH

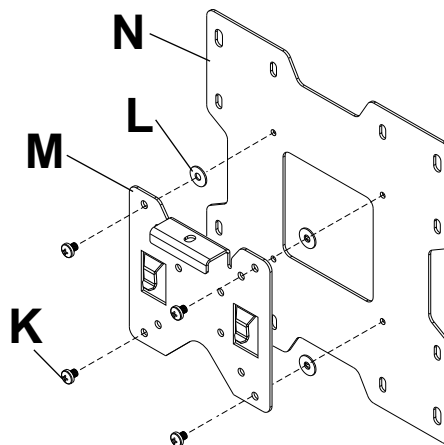
RICHTIG



Befestigung von Adapterplatte an Bildschirm unter Verwendung von VESA-Montagemuster 200 x 100 oder 200 x 200

HINWEIS: Die VESA-Muster 75 mm und 100 mm sind auf der folgenden Seite aufgeführt.

- 2** Bringen Sie die Hakenhalterung (M) mit vier M5 x 6 mm Schrauben (K) und Scheiben Nr. 10 (L) wie dargestellt an der Adapterplatte (N) an.



⚠ ACHTUNG

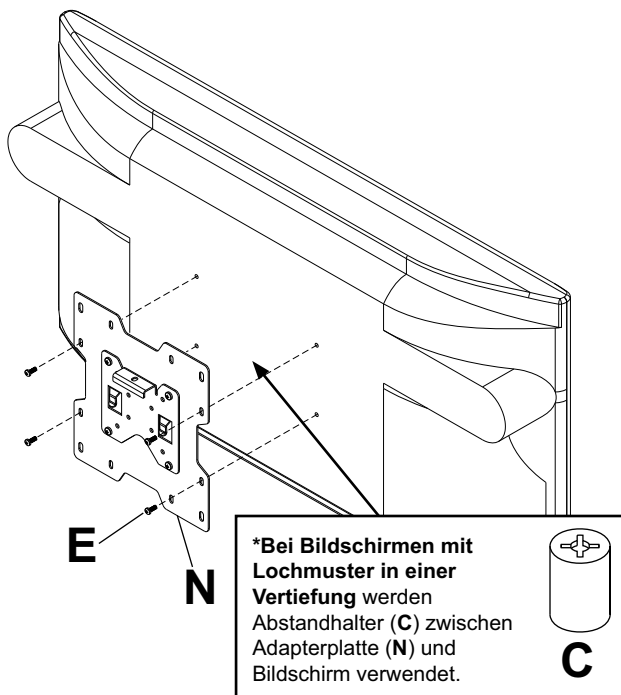
- Sind die Schrauben nicht um drei volle Umdrehungen in die Löcher des Bildschirms eingeschraubt oder stoßen sie unten an und die Halterung ist noch immer nicht sicher befestigt, kann der Bildschirm beschädigt werden oder das Produkt kann versagen.

BEI MONTAGEMUSTER VESA 200 x 100:

- 2-1** Wählen Sie das Lochmuster (siehe Abbildung weiter unten). Befestigen Sie die Adapterplatte (N) mit Hilfe von vier M4 x 10 mm Schrauben (E) wie unten dargestellt an der Rückseite des Bildschirms.

***HINWEIS:** Wenn die Schraube (E) sich um weniger als drei Gewindegänge einschrauben lässt, bringen Sie die Adapterplatte (N) mit Hilfe von vier M4 x 20 mm Schrauben (F) und vier Abstandhaltern (C) wie unten gezeigt an der Rückseite des Bildschirms an.

FAHREN SIE MIT SCHRITT 3 AUF SEITE 38 FORT.

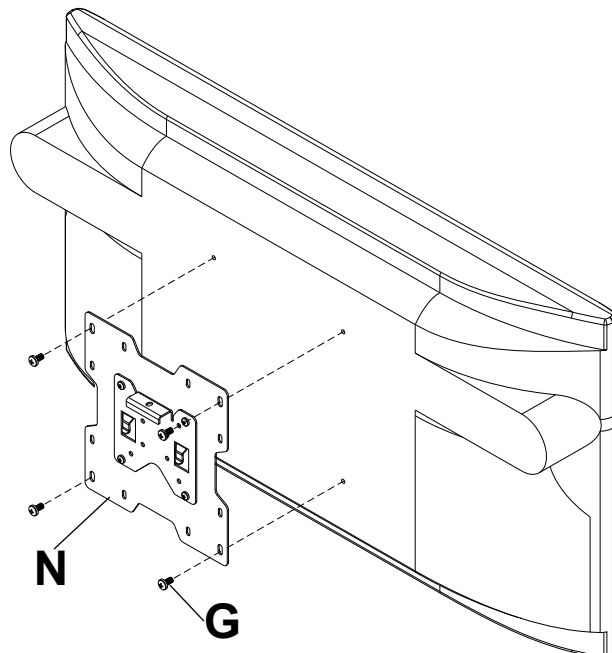


BEI MONTAGEMUSTER VESA 200 x 200:

- Wählen Sie das Lochmuster (siehe Abbildung weiter unten). Befestigen Sie die Adapterplatte (N) mit Hilfe von vier M6 x 12 mm Schrauben (G) wie unten dargestellt an der Rückseite des Bildschirms.

***HINWEIS:** Falls die Schraube (G) sich um weniger als drei Gewindegänge einschrauben lässt, bringen Sie die Adapterplatte (N) mit Hilfe von vier M6 x 20 mm Schrauben (I) an der Rückseite des Bildschirms an. Falls die Schraube (I) sich noch immer um weniger als drei Gewindegänge einschrauben lässt, verwenden Sie vier M6 x 30 mm Schrauben (J).

FAHREN SIE MIT SCHRITT 3 AUF SEITE 38 FORT.



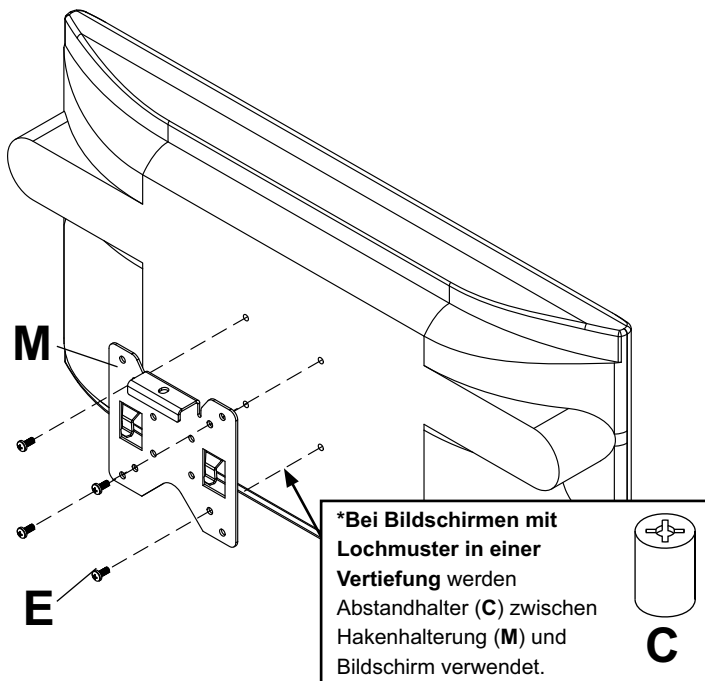
⚠ ACHTUNG

- Sind die Schrauben nicht um drei volle Umdrehungen in die Löcher des Bildschirms eingeschraubt oder stoßen sie unten an und die Halterung ist noch immer nicht sicher befestigt, kann der Bildschirm beschädigt werden oder das Produkt kann versagen.

BEI MONTAGEMUSTER VESA® 75:

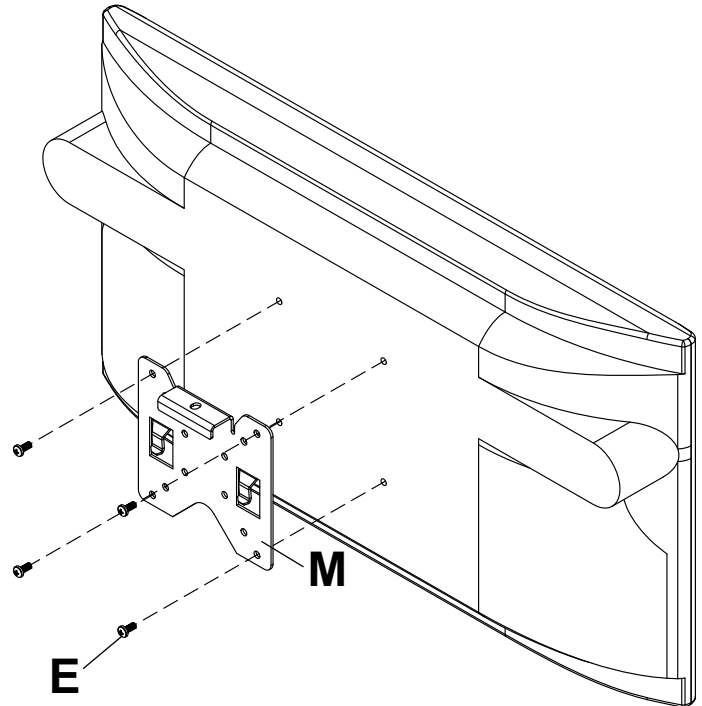
2 Wählen Sie das Lochmuster (siehe Abbildung weiter unten). Befestigen Sie die Hakenhalterung (**M**) mit Hilfe von vier M4 x 10 mm Schrauben (**E**) wie unten dargestellt an der Rückseite des Bildschirms.

***HINWEIS:** Wenn das Lochbild sich in einer Vertiefung befindet, bringen Sie die Hakenhalterung (**M**) mit Hilfe von vier M4 x 20 mm Schrauben (**F**) und vier Abstandhaltern (**C**) wie unten dargestellt an der Rückseite des Bildschirms an.



BEI MONTAGEMUSTER VESA 100:

Wählen Sie das Lochmuster (siehe Abbildung weiter unten). Befestigen Sie die Hakenhalterung (**M**) mit Hilfe von vier M4 x 10 mm Schrauben (**E**) wie unten dargestellt an der Rückseite des Bildschirms.

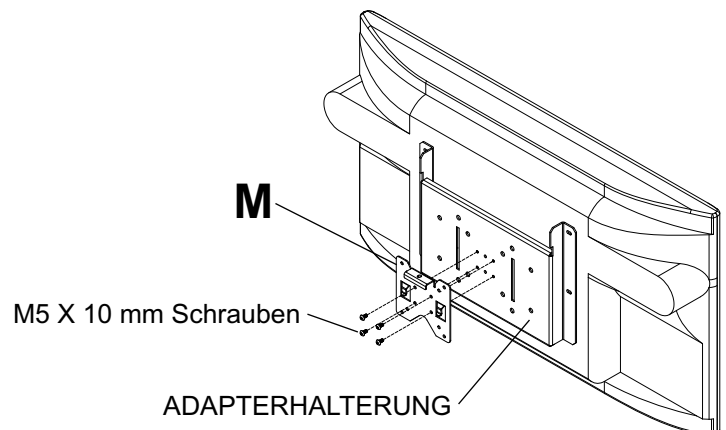


Die Schnittstellenliste für LCD- oder Plasmabildschirme auf unserer Website www.peerlessmounts.com gibt Auskunft über die Kompatibilität Ihres Bildschirms. Sie können sich auch telefonisch mit unserem Kundendienst in Verbindung setzen und eine bildschirmspezifische Adapterhalterung des Modells LC oder PLP anfordern (nicht von UL geprüft).

BEFESTIGUNG AN PEERLESS-ADAPTERHALTERUNG MODELL PLP

HINWEIS: Informationen zur Befestigung der Adapterhalterung am Bildschirm können dem Anleitungsblatt für die Adapterhalterung des Modells PLP entnommen werden.

2 **HINWEIS:** Im Lieferumfang der Adapterhalterung des Modells PLP sind M5 x 10 mm Schrauben enthalten. Befestigen Sie die Hakenhalterung (**M**) mit Hilfe von vier M5 x 10 mm Schrauben an der Adapterhalterung. Befestigen Sie die Hakenhalterung (**M**) mit Hilfe von vier M5 x 10 mm Schrauben an der Adapterhalterung.



Anbringung und Abnahme des Flachbildschirms

- 3** Zur Befestigung des Bildschirms am Wandhalter (**A**) senken die Hakenhalterung (**M**) in die Aussparungen des Wandhalters ab. Nachdem die Klemmen eingerastet sind, drücken Sie sie nach unten, um sie in die Aussparungen einzupassen. Setzen Sie die M5 Kreuzschlitzschraube (**K**) ein und ziehen Sie sie fest, um den Bildschirm wie in Abbildung 3.3 dargestellt am Wandhalter zu befestigen.

Zum Abnehmen des Bildschirms vom Halter lösen Sie die Schraube (**K**) und heben den Bildschirm vom Halter ab.

⚠ ACHTUNG

- Heben Sie nicht schwerer, als Ihre Kräfte es zulassen. Ziehen Sie eine zweite Person hinzu oder verwenden Sie mechanische Hebeegeräte, um die sichere Platzierung des Bildschirms zu gewährleisten.
- Wenn die Hakenhalterung (**M**) nicht mit den Schrauben (**K**) gesichert wird, kann der Bildschirm bei versehentlichem Anstoßen vom Halter herabfallen.

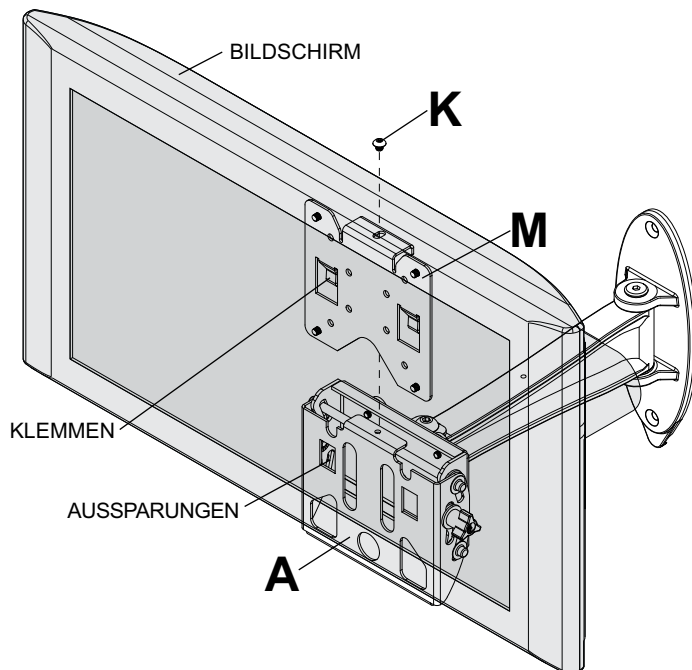


Abbildung 3.1

- 4** Halten Sie den Bildschirm sicher fest und lösen Sie den Spannkopf auf der Seite des Halters wie in Abbildung 4.1 dargestellt, um die Neigung zu ermöglichen.

Stellen Sie den Bildschirm auf die gewünschte Neigung ein (15° nach vorne, 5° nach hinten) und ziehen Sie anschließend den Spannkopf wieder fest.

- 4-1** Drehen Sie den Bildschirm von Hand, um ihn waagrecht auszurichten. Die Querneigungshalterung ermöglicht eine Querneigungseinstellung von 2°.

Setzen Sie die Nr. 10-32 x 1/2 Zoll Kreuzschlitz-Senkkopfschraube (**O**) ein, um den Bildschirm wie in Abbildung 4.2 dargestellt in der Position zu verriegeln.

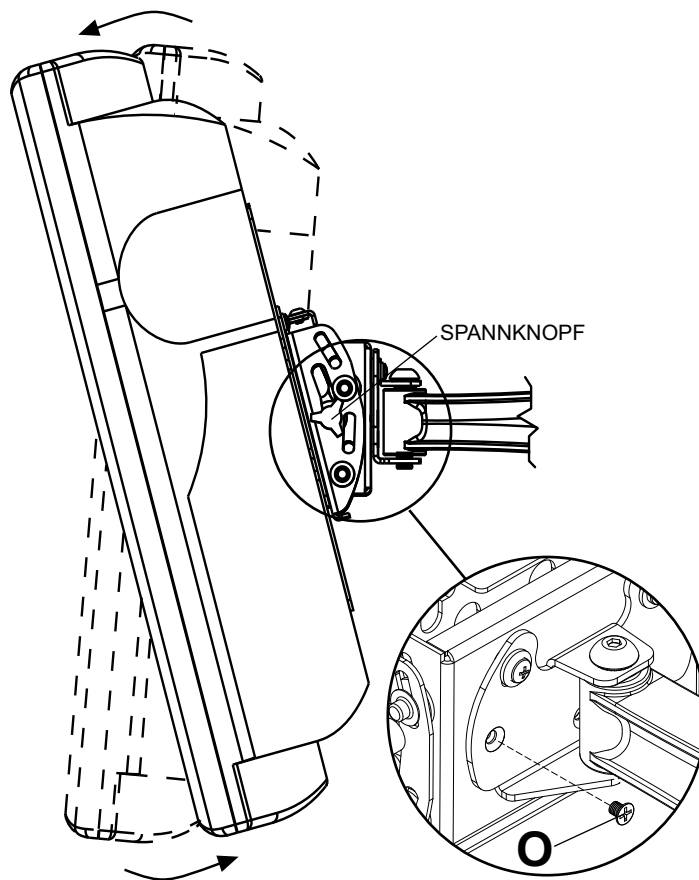


Abbildung 4.1

Abbildung 4.2

VORSICHT

- Achten Sie darauf, nicht kneifen, wenn die Finger drücken Bildschirm aus dem Boden.
- Ziehen Sie die Schrauben nicht zu fest an. Durch Überdrehen kann der Halter beschädigt werden. Das maximale Drehmoment zum Festziehen der Schrauben darf 40 in • lb (4,5 Nm) nicht überschreiten.

Kabelführung

Die Kabel können mithilfe der Kabelbinder (**P**) verlegt werden.

- 5-1** Befestigen Sie den Kabelbinderanker (**Q**) wie in Abbildung 5.1 dargestellt mithilfe der 8/32 x 1/4 Zoll Kreuzschlitzschraube (**R**) an der Ober- oder Unterseite des Wandarms (**A**).

Befestigen Sie die Kabel mithilfe von Kabelbindern (**P**) wie in Abbildung 5.2 dargestellt an der Ober- oder Unterseite des Wandarms (**A**).

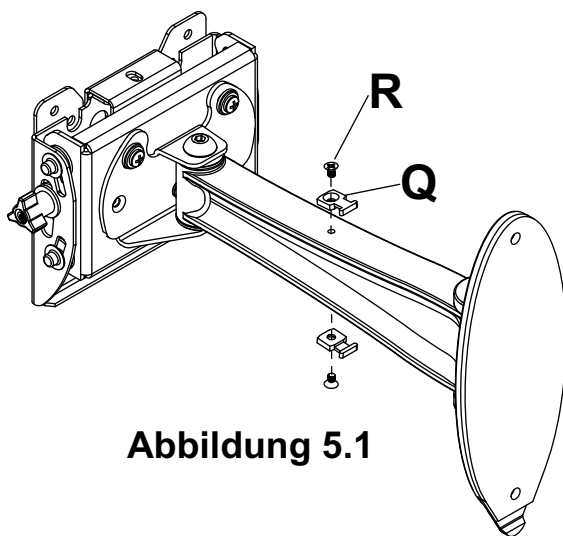


Abbildung 5.1

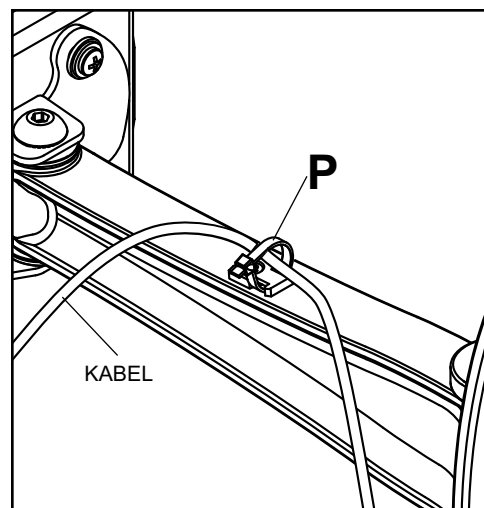
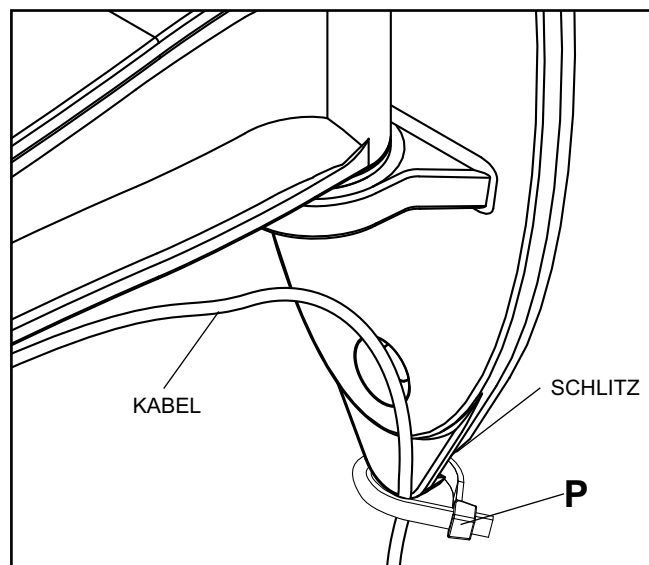


Abbildung 5.2

- 5-2** Die Kabel können auch wie unten dargestellt mithilfe eines Kabelbinders (**P**) an dem Schlitz auf der Unterseite der Wandplatte befestigt werden.

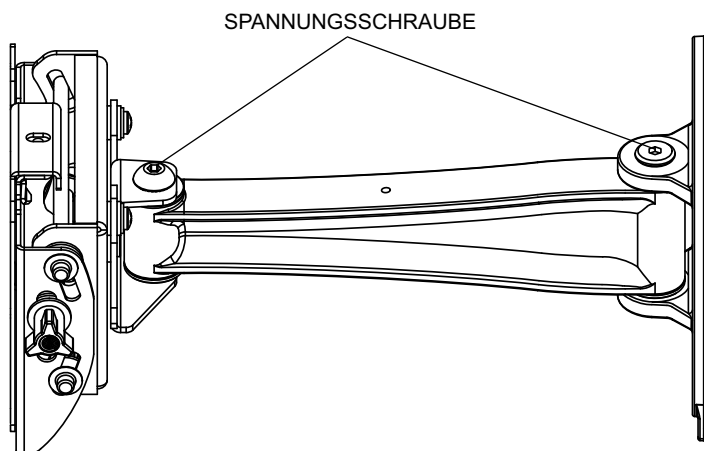


Aeinstellung der Armspannung

⚠ ACHTUNG

- Die Schraube darf nicht entfernt bzw. soweit gelöst werden, dass sie nicht mehr in den Halter eingreift, da ansonsten der Bildschirm herabfallen kann.
- Ziehen Sie die Schrauben wie erforderlich nach, falls sie mit der Zeit locker werden. Das maximale Drehmoment zum Festziehen der Schrauben darf 5,6 Nm (50 in•lb) nicht überschreiten.

- 6** Wenn die Spannung in den Gelenken des Arms erhöht oder verringert werden soll, gehen Sie wie folgt vor:
- Zum Erhöhen der Spannung drehen Sie die Spannungsschraube(n) mit einem 5 mm Inbusschlüssel (T) nach rechts. **HINWEIS: Das maximale Drehmoment zum Festziehen der Schrauben darf 50 in • lb (5,6 Nm) nicht überschreiten.**
 - Zum Verringern der Spannung drehen Sie die Spannungsschraube(n) mit einem 5 mm Inbusschlüssel (T) nach links. **HINWEIS: Drehen Sie die Schraube um nicht mehr als eine halbe Umdrehung.**



LIMITED FIVE-YEAR WARRANTY

Peerless Industries, Inc. establishes a warranty period of five years for products manufactured or supplied by Peerless. This period commences from the date of sale of the product to the original consumer, but will in no case last for more than six years after the date of the product's manufacture. During the warranty period such products will be free from defects in material and workmanship, provided they are installed and used in compliance with the instructions established by Peerless Industries, Inc. Subject to applicable legal requirements, during the warranty period Peerless will repair or replace, or refund the purchase price of, any such product which fails to conform with this warranty.

Any other warranties prescribed by the law which may apply with respect to such products also are limited in duration to the warranty period specified in this Limited Five-Year Warranty.

This warranty does not cover damage caused by (a) service or repairs by the customer or a person who is not authorized for such service or repairs by Peerless Industries, Inc., (b) the failure to utilize proper packing when returning the product, (c) incorrect installation or the failure to follow Peerless' instructions or warnings when installing, using or storing the product, or (d) misuse or accident, in transit or otherwise, including in cases of third party actions and force majeure.

In no event shall Peerless be liable for incidental or consequential damages or damages arising from the theft of any product, whether or not secured by a security device which may be included with the product.

This Limited Five-Year Warranty is in lieu of all other warranties, expressed or implied, and is the sole remedy with respect to product defects. No retailer, dealer, distributor, installer or other person is authorized to modify or extend this warranty or impose any obligation on Peerless in connection with the sale of any product manufactured or supplied by Peerless.

This warranty gives specific legal rights, and you may also have other rights provided by the national legislation of the country in which you purchased such product.

peerless[®]

www.peerlessmounts.com

© 2008 Peerless Industries, Inc.

Español

GARANTÍA LIMITADA DE CINCO AÑOS

Peerless Industries, Inc. establece un período de garantía de cinco años para los productos fabricados o suministrados por Peerless. Este período empieza en la fecha de venta del producto al consumidor original, pero en ningún caso durará más de seis años después de la fecha de fabricación del producto. Durante la vigencia de la garantía, dichos productos se encontrarán libres de defectos en sus materiales y fabricación, siempre que se instalen y usen de conformidad con las instrucciones establecidas por Peerless Industries, Inc. Sujeto a los requisitos legales pertinentes, durante la vigencia de la garantía Peerless reparará o reemplazará un producto que no cumpla con la presente garantía o reembolsará el precio de compra del mismo.

Cualquier otra garantía exigida por ley que podría ser aplicable con respecto a dichos productos también tendrá una vigencia limitada al período de garantía especificado en la presente Garantía Limitada de Cinco Años.

La presente garantía no abarca los daños causados por (a) trabajos de servicio, mantenimiento o reparación hechos por el cliente o una persona que no está autorizada por Peerless Industries, Inc. para realizar esos trabajos, (b) no utilizar un embalaje apropiado al devolver el producto, (c) una instalación incorrecta o no seguir las instrucciones o advertencias de Peerless al instalar, usar o almacenar el producto, o (d) uso indebido o accidente, en tránsito o de otro modo, incluso si se trata de acciones atribuibles a terceros o de casos de fuerza mayor.

Peerless en ningún caso será responsable de daños incidentales o indirectos o daños que surjan del robo de un producto, esté o no protegido por un dispositivo de seguridad incluido con el producto.

La presente Garantía Limitada de Cinco Años reemplaza cualquier otra garantía expresa o implícita, y es la única reparación con respecto a defectos en el producto. Ningún comerciante minorista, agente, distribuidor, instalador u otra persona, está autorizado para modificar o prolongar la presente garantía ni para imponer una obligación a Peerless en relación con la venta de un producto fabricado o suministrado por Peerless.

La presente garantía otorga derechos legales específicos, y usted también podría tener otros derechos en virtud de la legislación nacional del país donde usted compró el producto.

peerless[®]

www.peerlessmounts.com

© 2008 Peerless Industries, Inc.

GARANTIE DE CINQ ANS

Peerless Industries, Inc., offre une garantie de cinq ans sur les produits fabriqués ou fournis par ses soins. Cette période commence à la date de vente du produit au client d'origine, mais ne peut en aucun cas dépasser de plus de six ans la date de fabrication. Pendant la période de garantie, les produits couverts seront exempts de tout défaut matériel et de main d'œuvre, dès lors qu'ils sont installés et utilisés dans le respect des instructions de Peerless Industries, Inc. Conformément aux dispositions légales applicables, Peerless réparera ou remplacera, ou remboursera le prix d'achat de tout produit non conforme à cette garantie pendant cette période.

Toute autre garantie obligatoire applicable à ces produits est également limitée à la durée spécifiée dans la présente Garantie de cinq ans.

Cette garantie ne couvre pas les dommages causés par (a) les interventions ou les réparations effectuées par le client ou par une personne non agréée par Peerless Industries, Inc., (b) la non-utilisation de l'emballage approprié lors du renvoi du produit, (c) une installation incorrecte ou le non-respect des instructions ou des avertissements de Peerless lors de l'installation, de l'utilisation ou du rangement du produit, ou (d) une mauvaise utilisation ou un accident pendant le transport ou en toute autre circonstance, y compris du fait de tiers et en cas de force majeure.

Peerless ne saura en aucun cas être tenue pour responsable de tout préjudice accidentel ou induit, ou de tout préjudice dû au vol d'un produit, qu'il soit ou non protégé par un dispositif de sécurité éventuellement fourni avec le produit.

Cette garantie de cinq ans remplace et annule toute autre garantie, expresse ou implicite, et constitue le seul recours valable en cas de dysfonctionnement des produits. Aucun détaillant, revendeur, distributeur, installateur ou autre n'est autorisé à modifier ou à prolonger cette garantie, ou à imposer une obligation quelconque à Peerless lors de la vente de produits fabriqués ou fournis par Peerless.

Cette garantie confère certains droits spécifiques, mais d'autres droits peuvent vous être conférés par la législation du pays où vous avez acheté le produit.



www.peerlessmounts.com

© 2008 Peerless Industries, Inc.

BESCHRÄNKTEN FÜNFJÄHRIGEN GARANTIE

Peerless Industries Inc. gewährleistet auf Produkte, die von Peerless hergestellt oder geliefert werden, eine Garantiefrist von fünf Jahren. Die Frist beginnt mit dem Datum des Produktverkaufs an den ursprünglichen Verbraucher; sie gilt jedoch in keinem Fall länger als sechs Jahre nach Herstellungsdatum des Produkts. Während der Garantiefrist weisen solche Produkte keine Material- oder Verarbeitungsfehler auf, vorausgesetzt, sie werden gemäß den Anweisungen von Peerless Industries Inc. installiert und verwendet. Vorbehaltlich der einschlägigen rechtlichen Verpflichtungen repariert oder ersetzt Peerless während der Garantiefrist ein Produkt, das dieser Garantie nicht entspricht, oder erstattet den Kaufpreis dafür.

Andere gesetzlich vorgeschriebene Garantien, die auf solche Produkte zutreffen können, sind in ihrer Dauer ebenfalls auf die Frist beschränkt, die in dieser beschränkten fünfjährigen Garantie festgelegt ist.

Diese Garantie gilt nicht bei Schäden, die aufgrund folgender Ursachen entstanden: (a) Wartung oder Reparatur durch den Kunden oder einer Person, die nicht von Peerless Industries Inc. für die Durchführung solcher Wartungs- oder Reparaturarbeiten autorisiert wurde, (b) Nichtverwendung von geeigneter Verpackung bei der Rücksendung des Produkts, (c) falsche Installation oder Nichtbefolgung bzw. Nichtbeachtung von Peerless-Anweisungen oder -Warnhinweisen bei der Installation, Verwendung oder Lagerung des Produkts oder (d) Missbrauch oder Unfall, während des Transports oder anderweitig, einschließlich Handlungen Dritter und höherer Gewalt.

Auf keinen Fall haftet Peerless für Neben- oder Folgeschäden oder für Schäden, die aus dem Diebstahl eines Produkts entstehen, unabhängig davon, ob das Produkt durch eine mitgelieferte Sicherheitsvorrichtung gesichert war oder nicht.

Diese beschränkte fünfjährige Garantie gilt anstelle von allen anderen ausdrücklichen oder stillschweigenden Garantien und ist das alleinige Rechtsmittel bei Produktdefekten. Kein Einzel-, Vertrags- oder Vertriebshändler und keine mit der Installation beauftragte oder sonstige Person ist befugt, diese Garantie zu ändern oder zu verlängern oder Peerless irgendwelche Verpflichtungen in Zusammenhang mit einem von Peerless hergestellten oder gelieferten Produkt aufzuerlegen.

Diese Garantie verleiht Ihnen bestimmte gesetzliche Rechte, und Sie verfügen u. U. über weitere Rechte unter der nationalen Gesetzgebung des Landes, in dem dieses Produkt erworben wurde.



www.peerlessmounts.com

© 2008 Peerless Industries, Inc.