

---

# INSTALLATION INSTRUCTIONS

---

## PAC-400 LARGE FLAT SCREEN ROTATION ACCESSORY

Prior to assembly, unpack carton completely and verify contents.

If you are missing any of the following components, please contact Customer Service at 1-800/582-6480

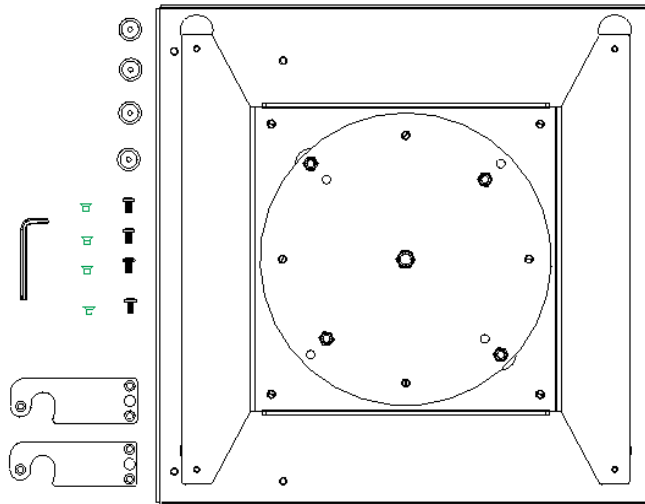


Figure 1

- (1) Rotation Assembly
- (4) 10-24 x 1/4" Phillip Head Cap Screw
- (1) 5/32" Security Hex Key

- (4) Mounting Buttons-Tapped 10-24
- (4) 10-24 x 3/8" Flat Head Security Screws
- (2) Latching Flags

BEFORE PROCEEDING, READ INSTALLATION INSTRUCTIONS COMPLETELY

### CAUTION!

**LARGE FLAT SCREEN DISPLAYS ARE EXTREMELY FRAGILE.  
THE MAXIMUM WEIGHT TO BE INSTALLED ON THE ACCESSORY IS 200 lbs (90.71 kg)**

1. Remove screen from Chief Mount or, if not installed, install PSB interface bracket to back of screen per instructions supplied with mount.

2. Attach mounting buttons to Rotation Assembly, making sure the buttons are securely fastened. (see Figure 2 & Figure 3).

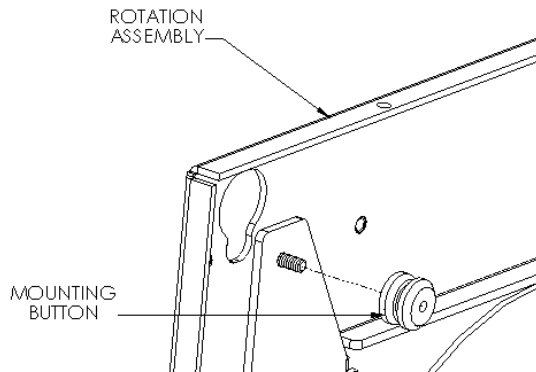


Figure 2

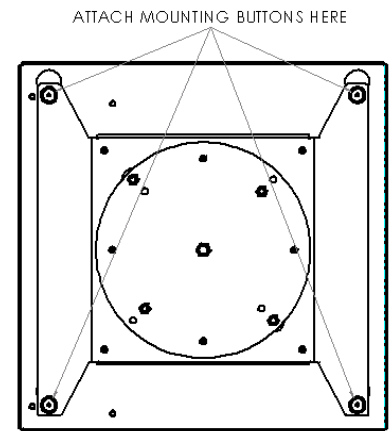


Figure 3

3. Attach PAC-400 to PSB Interface Bracket by placing the mounting buttons of PSB into the teardrop slots of PAC-400. Make sure the mounting buttons are placed securely in teardrop slots. (See Figure 4).

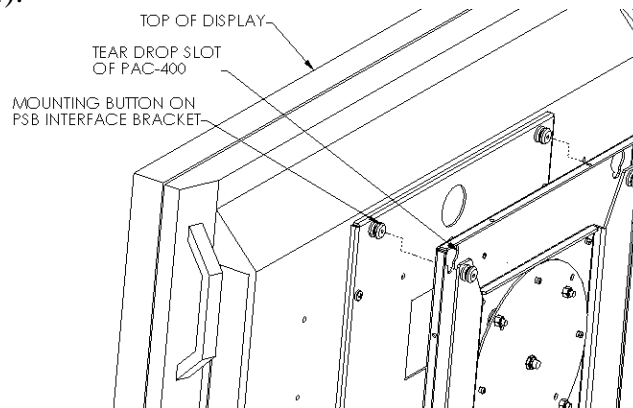


Figure 4

4. Place Latching Flags over buttons and secure using 10-24 Phillips head cap screws. Use 10-24 undercut security screws and security hex key instead of Phillips screws for added security. (See Figures 5 & 6).

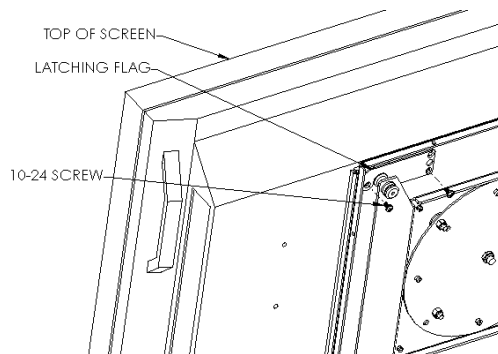


Figure 5

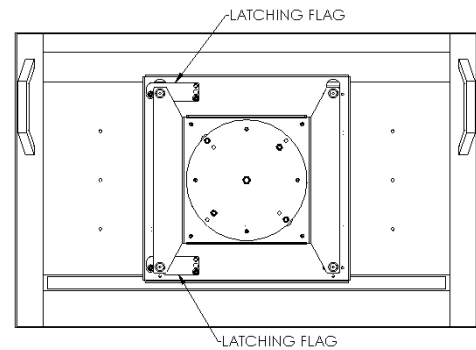


Figure 6

5. Set desired amount of friction for rotating screen by tightening or loosening nuts (4) on back side of PAC-400. (See Figure 7).

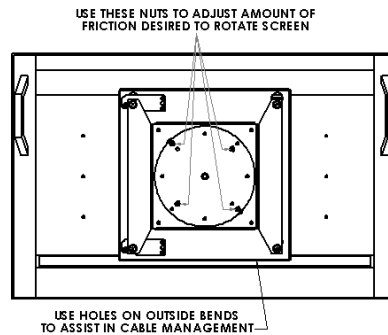


Figure 7

6. With the aid of another person, lift Large Flat Panel Display and PAC-400 up to Chief Mount, aligning buttons of rotation accessory with slots in the Chief Mount.
7. Raise safety latch on Chief Mount to secure Display, making sure latch is completely engaged.
8. If you wish to rotate screen the other way, take screen and rotation accessory from Chief Mount, rotate the back plate of the PAC-400 by 90 degrees.
9. Install screen on Chief Mount.
10. Use holes on outside bends to tie wires for cable management. (See Figure 7).
11. On tilting mounts, you may have to increase friction on tilting mechanism since PAC-400 adds depth to overall installation and roll adjustment on PDS mount may need tightening.

