

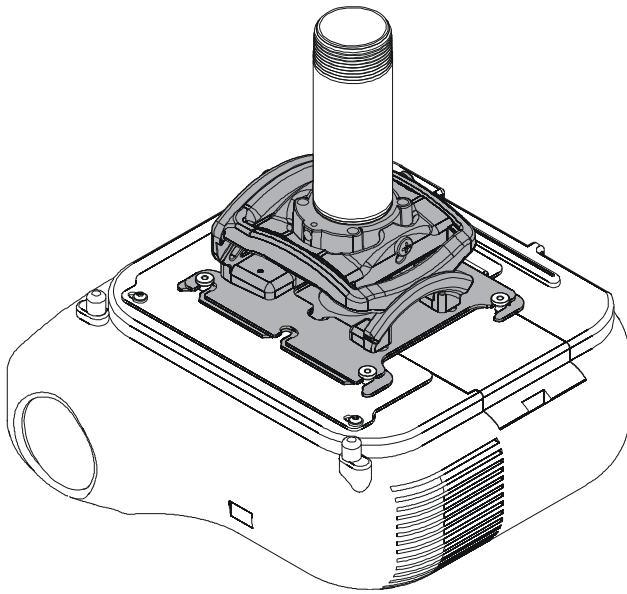
---

# INSTALLATION INSTRUCTIONS

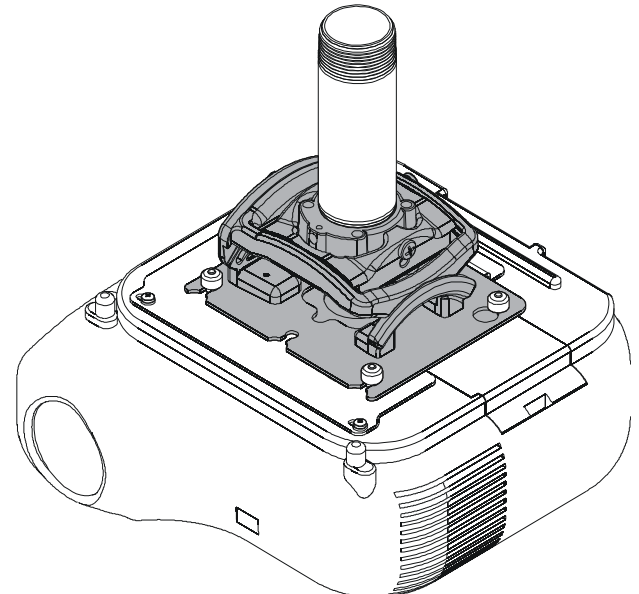
---

Instructions d'installation  
Istruzioni di installazione  
Installationsanleitung

Instrucciones de instalación  
Installatie-instructies  
Instruções de Instalação



RPM A-C



RPM

---

## RPA Elite Series Projector Mount


---


## DISCLAIMER


Milestone AV Technologies, and its affiliated corporations and subsidiaries (collectively, "Milestone"), intend to make this manual accurate and complete. However, Milestone makes no claim that the information contained herein covers all details, conditions or variations, nor does it provide for every possible contingency in connection with the installation or use of this product. The information contained in this document is subject to change without notice or obligation of any kind. Milestone makes no representation of warranty, expressed or implied, regarding the information contained herein. Milestone assumes no responsibility for accuracy, completeness or sufficiency of the information contained in this document.


Chief® is a registered trademark of Milestone AV Technologies. All rights reserved.


## IMPORTANT WARNINGS AND CAUTIONS!

 **WARNING:** A WARNING alerts you to the possibility of serious injury or death if you do not follow the instructions.


 **CAUTION:** A CAUTION alerts you to the possibility of damage or destruction of equipment if you do not follow the corresponding instructions.


 **WARNING:** Failure to read, thoroughly understand, and follow all instructions can result in serious personal injury, damage to equipment, or voiding of factory warranty! It is the installer's responsibility to make sure all components are properly assembled and installed using the instructions provided.


 **WARNING:** Failure to provide adequate structural strength for this component can result in serious personal injury or damage to equipment! It is the installer's responsibility to make sure the structure to which this component is attached can support five times the combined weight of all equipment. Reinforce the structure as required before installing the component.


 **WARNING:** Exceeding the weight capacity can result in serious personal injury or damage to equipment! It is the installer's responsibility to make sure the combined weight of all components attached to the RPM does not exceed 50 lbs (22.68 kg).


## ¡AVISOS y PRECAUCIONES IMPORTANTES!

 **AVISO:** Un AVISO llama su atención sobre la posibilidad de sufrir lesiones de gravedad o incluso mortales si no sigue las instrucciones.


 **PRECAUCIÓN:** Una nota de PRECAUCIÓN llama su atención sobre la posibilidad de dañar o destruir el equipo si no sigue las instrucciones.


 **AVISO:** Si no lee, comprende perfectamente y sigue todas las instrucciones, podría causar graves daños personales y materiales o anular la garantía de fábrica. El instalador es el responsable de asegurarse de que todos los componentes están correctamente montados e instalados siguiendo las instrucciones indicadas.


 **AVISO:** Si no se proporciona la resistencia estructural adecuada para este componente, podrían provocarse graves daños personales o materiales. El instalador es el responsable de asegurarse de que la estructura a la que este componente está sujeta puede soportar cinco veces el peso combinado de todo el equipo. Refuerce la estructura según sea necesario antes de instalar el componente.


 **AVISO:** Si se excede el peso máximo, podrían causarse graves daños personales o materiales. El instalador es responsable de asegurarse de que el peso combinado de todos los componentes montados en el RPM no excede 22.68 kg.

## WICHTIGE WARN- und VORSICHTSHINWEISE!

 **WARNING:** Ein WARNHINWEIS macht auf mögliche schwere oder tödliche Verletzungen aufmerksam, die bei Nichtbefolgung der Anweisungen eintreten können.

 **VORSICHT:** Ein VORSICHTSHINWEIS macht auf Schäden oder mögliche Zerstörung des Geräts aufmerksam, die bei Nichtbefolgung der Anweisungen eintreten können.

 **WARNING:** Falls nicht alle Anweisungen gelesen und gut verstanden werden, kann dies zu schweren Körperverletzungen, Schaden an den Geräten führen und die Werksgarantie nichtig machen! Der Monteur ist dafür verantwortlich, dass alle Komponenten unter Einhaltung der mitgelieferten Anweisungen korrekt zusammengebaut und eingebaut werden.

 **WARNING:** Wenn für diese Komponente keine ausreichende bauliche Tragkraft vorhanden ist, kann dies zu schweren Körperverletzungen oder Schäden an den Geräten führen! Der Installateur ist dafür verantwortlich zu überprüfen, ob die Wand, an der diese Komponente verankert wird, das Fünffache der Gesamtlast aller befestigten Geräte sicher tragen kann. Andernfalls muss die Wand verstärkt werden, bevor die Komponente angebracht wird.



**WARNUNG:** Wenn das zulässige Gewicht überschritten wird, kann dies zu schweren Körperverletzungen oder Schäden an den Geräten führen! Der Monteur ist dafür verantwortlich, dass das kombinierte Gewicht aller Komponenten, die am Modell RPM befestigt sind, nicht mehr als 22.68 kg beträgt.



### ADVERTÊNCIAS e AVISOS IMPORTANTES!



**ADVERTÊNCIA:** Os alertas de ADVERTÊNCIA avisam-no para a possibilidade de ocorrência de graves lesões ou morte no caso de incumprimento das instruções.



**AVISO:** Os alertas de AVISO avisam-no para a possibilidade de danos ou destruição do equipamento no caso de incumprimento das instruções.



**ADVERTÊNCIA:** Se não ler, compreender completamente e seguir todas as instruções podem ocorrer graves lesões pessoais, danos no equipamento e a garantia de fábrica pode ser anulada! É da responsabilidade do instalador certificar-se de que todos os componentes são correctamente montados e instalados de acordo com as instruções fornecidas.



**ADVERTÊNCIA:** Se não for proporcionado apoio estrutural adequado a este componente podem ocorrer graves lesões pessoais ou danos no equipamento! É da responsabilidade do instalador certificar-se de que a estrutura à qual este componente é ligado pode suportar cinco vezes o peso combinado de todo o equipamento. Reforce a estrutura conforme necessário antes de instalar o componente.



**ADVERTÊNCIA:** Exceder a capacidade de peso pode resultar em graves lesões pessoais ou danos no equipamento! É da responsabilidade do instalador certificar-se de que o peso combinado de todos os componentes ligados ao RPM não excede 22.68 kg.



### AVVERTENZE e PRECAUZIONI IMPORTANTI!



**AVVERTENZA:** Un'AVVERTENZA mette in guardia in merito alla possibilità di gravi infortuni, anche letali, qualora non si osservino le istruzioni.



**ATTENZIONE:** Un'ATTENZIONE indica la possibilità di gravi danni all'attrezzatura qualora non ci si attiene alle istruzioni al riguardo.



**AVVERTENZA:** La mancata comprensione e ottemperanza alle istruzioni fornite può provocare gravi lesioni personali, danni all'apparecchiatura o annullare la garanzia fornita dal produttore. Spetta all'installatore verificare che tutti i componenti siano assemblati correttamente e installati secondo le istruzioni fornite.



**AVVERTENZA:** Una resistenza strutturale inadeguata per questo componente può arrecare gravi infortuni o danneggiare l'apparecchiatura. È responsabilità dell'installatore verificare che la struttura alla quale è fissato il componente sostenga con sicurezza cinque volte il carico combinato di tutta l'apparecchiatura. Rinforzare la struttura secondo necessità prima di installare i componenti.



**AVVERTENZA:** Un peso superiore alla capacità nominale può arrecare gravi infortuni o danneggiare l'apparecchiatura. È responsabilità dell'installatore verificare che il peso totale di tutti i componenti montati sul RPM non superi 22.68 kg (50 lb).



### BELANGRIJKE AANWIJZINGEN en WAARSCHUWINGEN!



**WAARSCHUWING:** Een WAARSCHUWING vestigt uw aandacht op de mogelijkheid van ernstig of dodelijk letsel als u de instructies niet opvolgt.



**VOORZICHTIG:** De aanwijzing VOORZICHTIG vestigt uw aandacht op de mogelijkheid van beschadiging of onherstelbare beschadiging van de apparatuur als u de betreffende instructies niet opvolgt.



**WAARSCHUWING:** Door niet alle instructies te lezen, volledig te begrijpen en op te volgen, riskeert u ernstig persoonlijk letsel, beschadiging van de apparatuur en het vervallen van de fabrieksgarantie. Degene die het product installeert is ervoor verantwoordelijk dat alle onderdelen aan de hand van de meegeleverde handleiding op de juiste wijze worden samengebouwd en gemonteerd.



**WAARSCHUWING:** Als u voor deze component onvoldoende constructiesterke beschikbaar stelt, riskeert u ernstig persoonlijk letsel of beschadiging van de apparatuur! Degene die de structuur monteert waaraan deze component is bevestigd, is ervoor verantwoordelijk dat deze minimaal vijf maal het gezamenlijke gewicht van alle apparatuur kan dragen. Zonodig dient u de structuur vóór de montage van de component te versterken.



**WAARSCHUWING:** Overschrijding van het draagvermogen kan de oorzaak zijn van ernstig persoonlijk letsel en beschadiging van de apparatuur! Degene die het product installeert is ervoor verantwoordelijk dat het totale gewicht van alle componenten die aan de RPM worden bevestigd een gewicht van 22.68 kg niet overschrijdt.



## IMPORTANT AVERTISSEMENTS et PRÉCAUTIONS!



**AVERTISSEMENT:** Un AVERTISSEMENT vous met en garde contre les possibilités de blessures graves ou de danger de mort si vous ne suivez pas les instructions.



**PRÉCAUTION:** Une PRÉCAUTION vous met en garde contre les possibilités d'endommagements et de destruction de l'équipement si vous ne suivez pas les instructions correspondantes.



**AVERTISSEMENT:** Le manque de la lecture, de la compréhension et du respect total de toutes les instructions, peut entraîner des blessures corporelles graves, endommager l'équipement ou annuler la garantie d'usine. Il incombe à l'installateur de s'assurer que tous les composants sont correctement assemblés et installés à l'aide des instructions fournies.

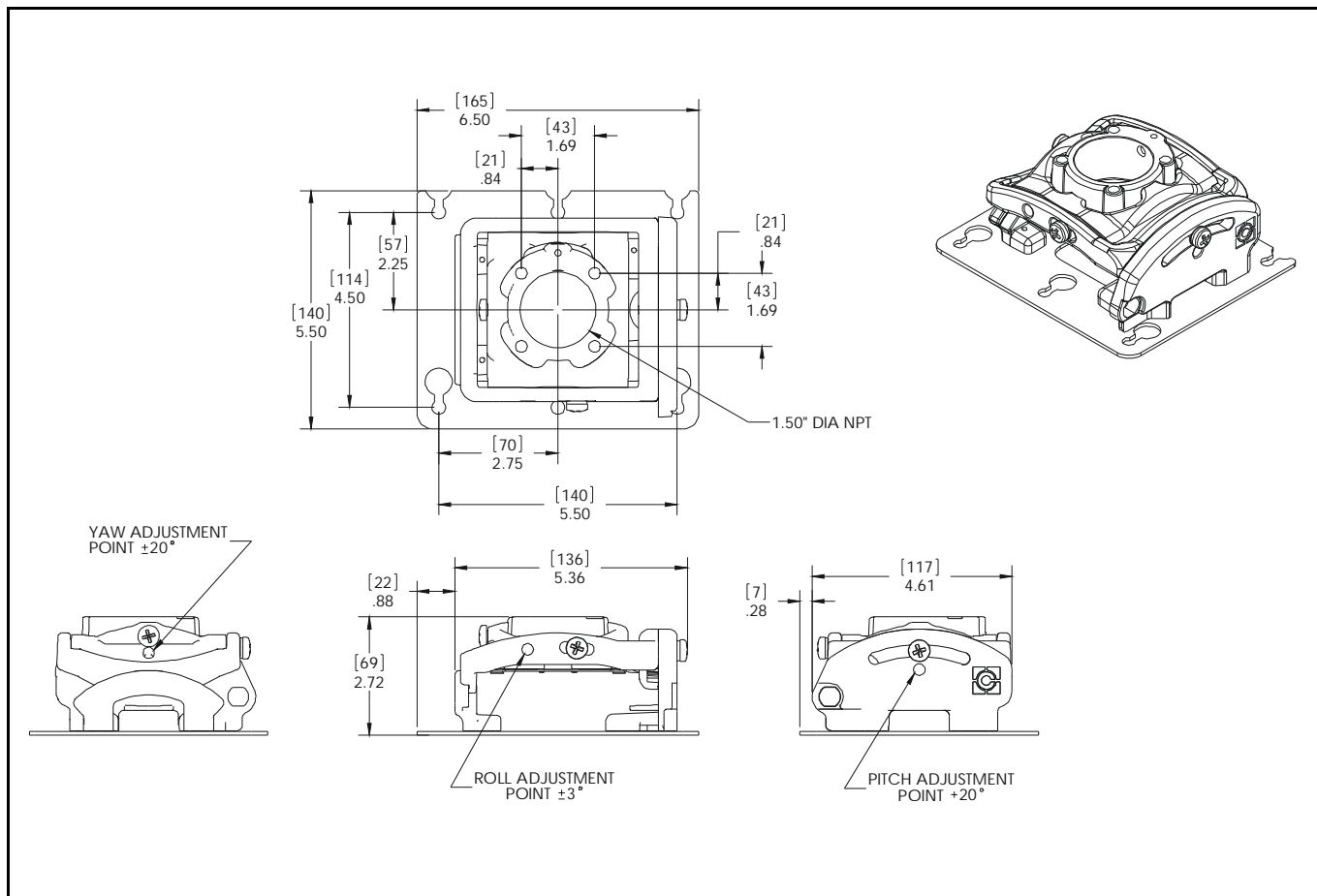


**AVERTISSEMENT:** L'absence de l'apport d'une résistance structurelle appropriée pour ce composant peut entraîner des blessures corporelles graves ou endommager l'équipement. Il incombe à l'installateur de s'assurer que la structure à laquelle le composant est attaché peut soutenir cinq fois le poids combiné de tout l'équipement. Renforcer la structure selon les besoins avant l'installation du composant.



**AVERTISSEMENT:** Dépassez la capacité pondérale peut entraîner des blessures corporelles graves ou endommager l'équipement. Il incombe à l'installateur de s'assurer que le poids combiné de tous les composants attachés à RPM n'est pas supérieur à 22.68 kg (50 lb).


## DIMENSIONS

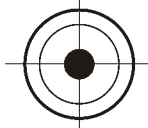


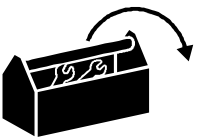

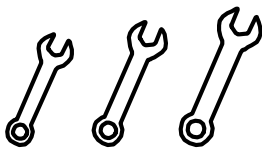


**LEGEND**


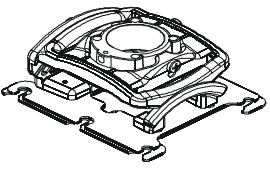
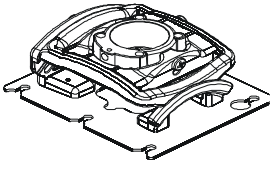
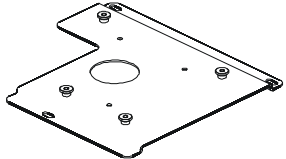

	<b>Tighten Fastener</b>
	Serrez les fixations
	Serrare il fissaggio
	Befestigungsteil festziehen
	Apretar elemento de fijación
	Bevestiging vastdraaien
Apertar fixador	
	<b>Loosen Fastener</b>
	Desserrez les fixations
	Allentare il fissaggio
	Befestigungsteil lösen
	Aflojar elemento de fijación
	Bevestiging losdraaien
Desapertar fixador	
	<b>Phillips Screwdriver</b>
	Tournevis à pointe cruciforme
	Cacciavite a stella
	Kreuzschlitzschraubendreher
	Destornillador Phillips
	Kruiskopschroevendraaier
Chave de fendas Phillips	
	<b>Hex-Head Wrench</b>
	Clé à tête hexagonale
	Chiave esagonale
	Sechskantschlüssel
	Llave de cabeza hexagonal
	Zeskantsleutel
Chave de cabeça sextavada	
	<b>Open-Ended Wrench</b>
	Clé à fourche
	Chiave a punte aperte
	Gabelschlüssel
	Llave de boca
	Steeksleutel
Chave de bocas	
	<b>By Hand</b>
	À la main
	A mano
	Von Hand
	A mano
	Met de hand
Com a mão	

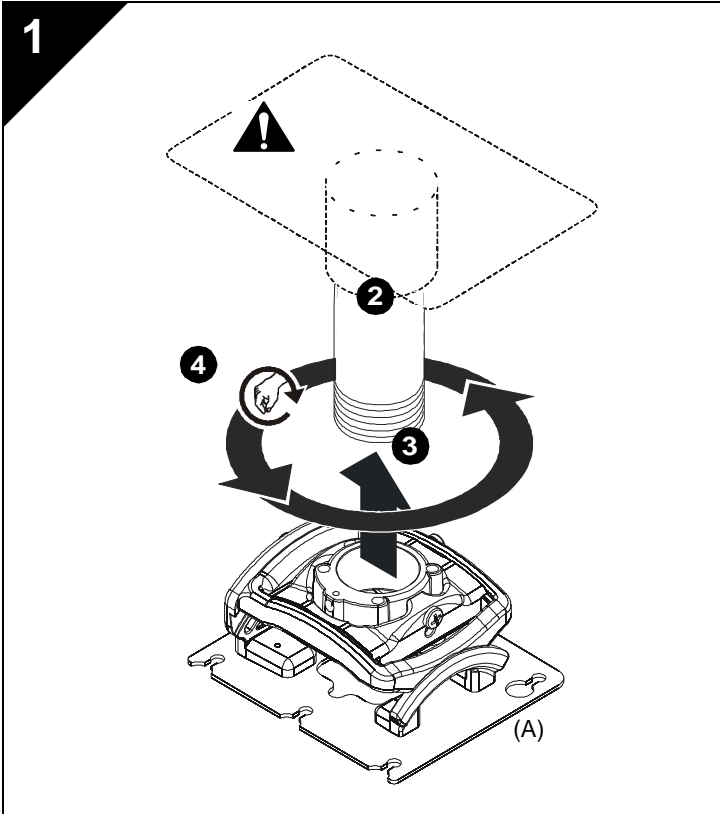
	<b>Pencil Mark</b>
	Marquage au crayon
	Segno a matita
	Stiftmarkierung
	Marcar con lápiz
	Potloodmerkteken
Marcar com lápis	
	<b>Drill Hole</b>
	Percez un trou
	Praticare un foro
	Bohrloch
	Perforar
	Gat boren
Fazer furo	
	<b>Adjust</b>
	Ajuster
	Regolare
	Einstellen
	Ajustar
	Afstellen
Ajustar	
	<b>Remove</b>
	Retirez
	Rimuovere
	Entfernen
	Quitar
	Verwijderen
Remover	
	<b>Optional</b>
	En option
	Opzionale
	Optional
	Opcional
	Optie
Opcional	
	<b>Security Wrench</b>
	Clé de sécurité
	Chiave di sicurezza
	Sicherheitsschlüssel
	Llave de seguridad
	Veiligheidssleutel
Chave de segurança	

	<b>Hammer</b>
	Martillo
	Hammer
	Martelo
	Martello
	Hamer
	Marteau

	<b>Target of Projector</b>
	Punto de enfoque del proyector
	Ziel des Projektors
	Mira do projector
	Punto di proiezione
	Doel van de projector
	Cible du projecteur

		
	 1/4"	 7/32" (6mm) dia.
		

		
<p>A (1)</p> 	<p>or</p> 	<p>A (1)</p>
<p>Example Only (Interface bracket varies dependent on projector model)</p>	<p>B (1)</p> 	



**RPM INSTALLATION**

**Threaded Pipe Installation**

1. Carefully determine required mounting location. **IMPORTANT !** : This will require knowing the lens to screen distance. See projector specifications for details on determining this distance.

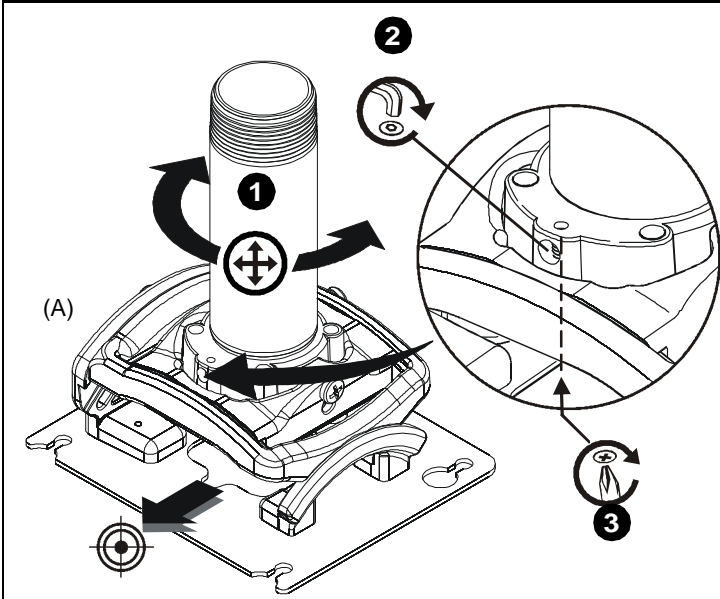
2. Install ceiling plate and extension accessories following installation instruction provided by manufacturer.



**WARNING:** IMPROPER INSTALLATION CAN RESULT IN SERIOUS PERSONAL INJURY OR DAMAGE TO EQUIPMENT! Structural members **MUST** be capable of supporting five times the combined weight of all equipment being mounted.

3. Align RPM with end of NTP pipe.

4. Thread RPM up onto pipe by turning counter-clockwise until hand tight.



**Rough Alignment of RPM**

1. Turn RPM clockwise or counter-clockwise until front of mount is facing target.

**IMPORTANT !** : When RPM is properly positioned, the set screw access hole should be pointing directly at target. (see bottom detail in figure at left)

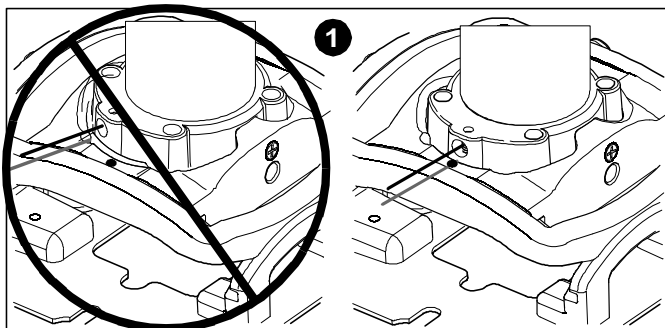
2. Secure RPM to pipe by turning set screw until tight.



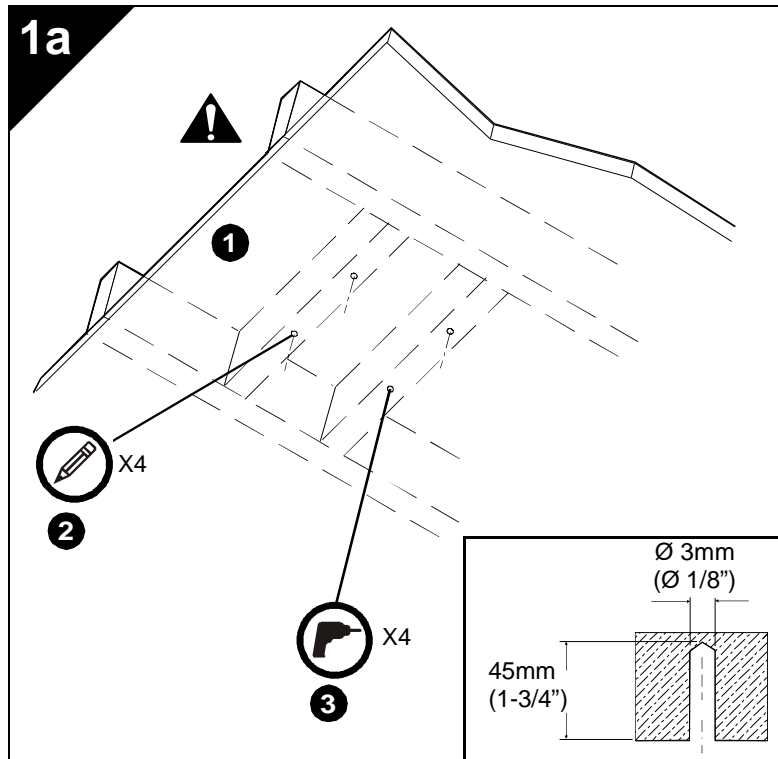
**CAUTION:** DO NOT OVERTIGHTEN!

Overtightening of setscrew can damage threads on pipe.

3. Turn security screw using a Phillips screwdriver until set screw cannot be seen through access hole in RPM.



**INSTALLATION**



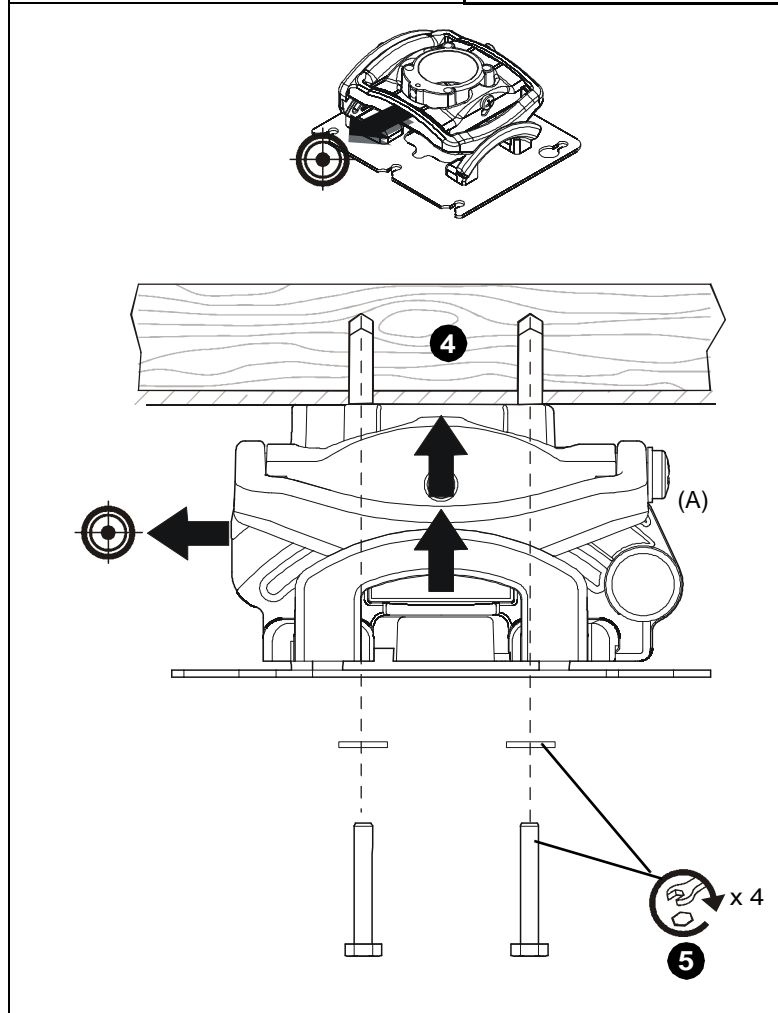
**Wood Stud Installation**

1. Carefully determine required mounting location.  
**IMPORTANT !** : This will require knowing the lens to screen distance. See projector specifications for details on determining this distance.



**WARNING:** IMPROPER INSTALLATION CAN RESULT IN SERIOUS PERSONAL INJURY OR DAMAGE TO EQUIPMENT! Structural members **MUST** be capable of supporting five times the combined weight of all equipment being mounted.

2. Using the RPM as a guide, mark four mounting hole locations with a pencil or similar tool.
3. Drill four 1/8" (3mm) dia. pilot holes to a depth of 1-3/4" (45mm) deep.

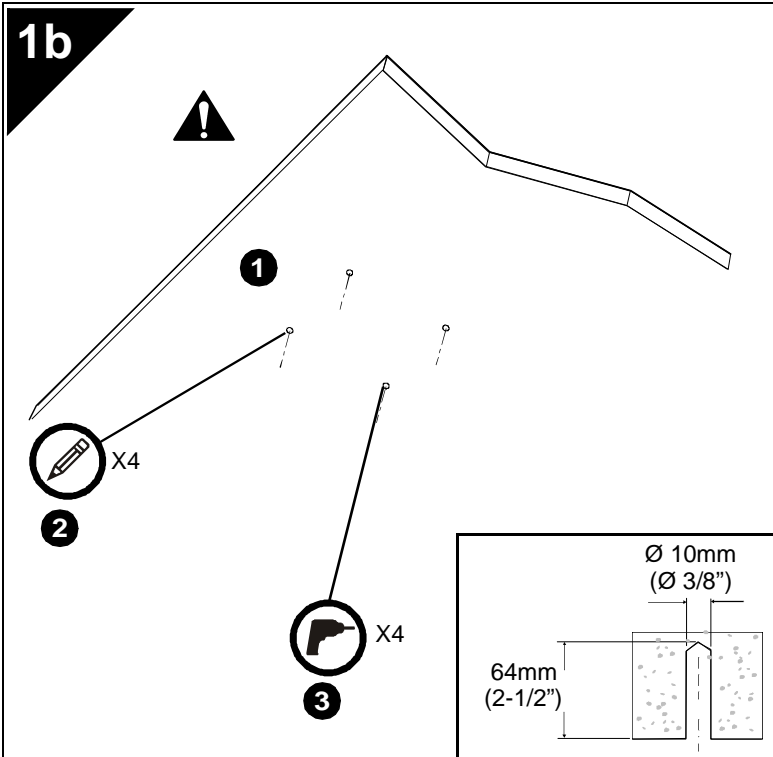


4. Align four mounting holes in RPM with four pilot holes.

**IMPORTANT !** : Make sure mount is properly oriented towards target before securing to structure.

5. Secure RPM to structure using four 1/4" flat washers and four 1/4" x 3" lag bolts (not included).





**Concrete Installation**

1. Determine mounting location.



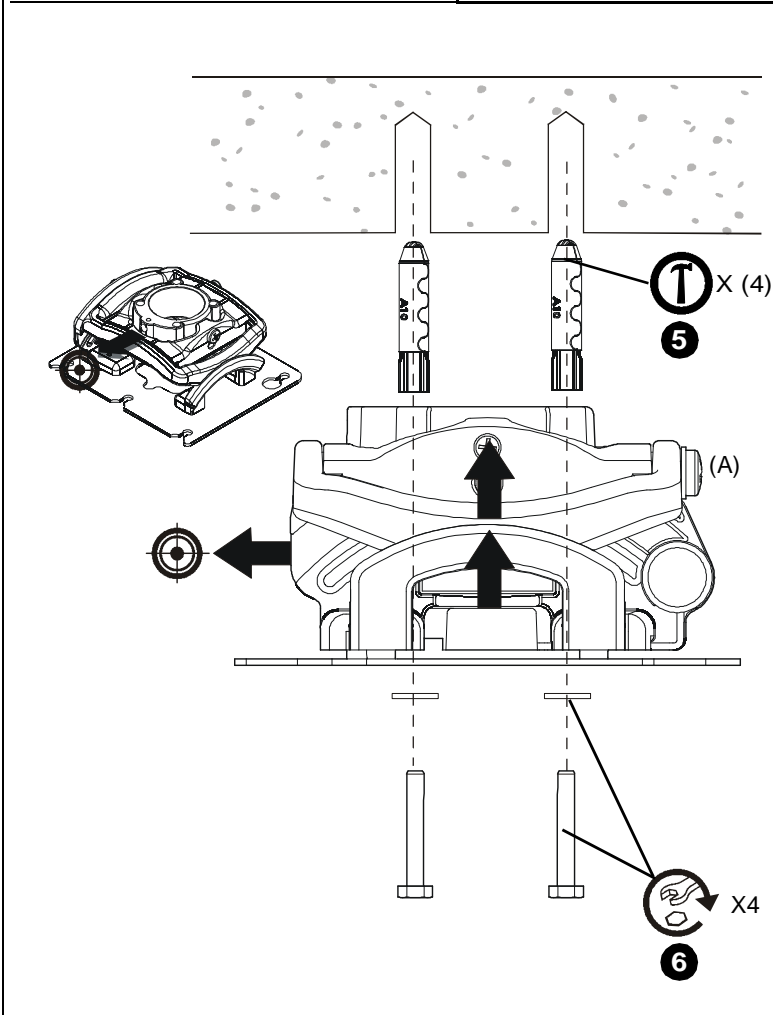
**WARNING:** IMPROPER INSTALLATION CAN RESULT IN SERIOUS PERSONAL INJURY OR DAMAGE TO EQUIPMENT! Structural members **MUST** be capable of supporting five times the combined weight of all equipment being mounted.

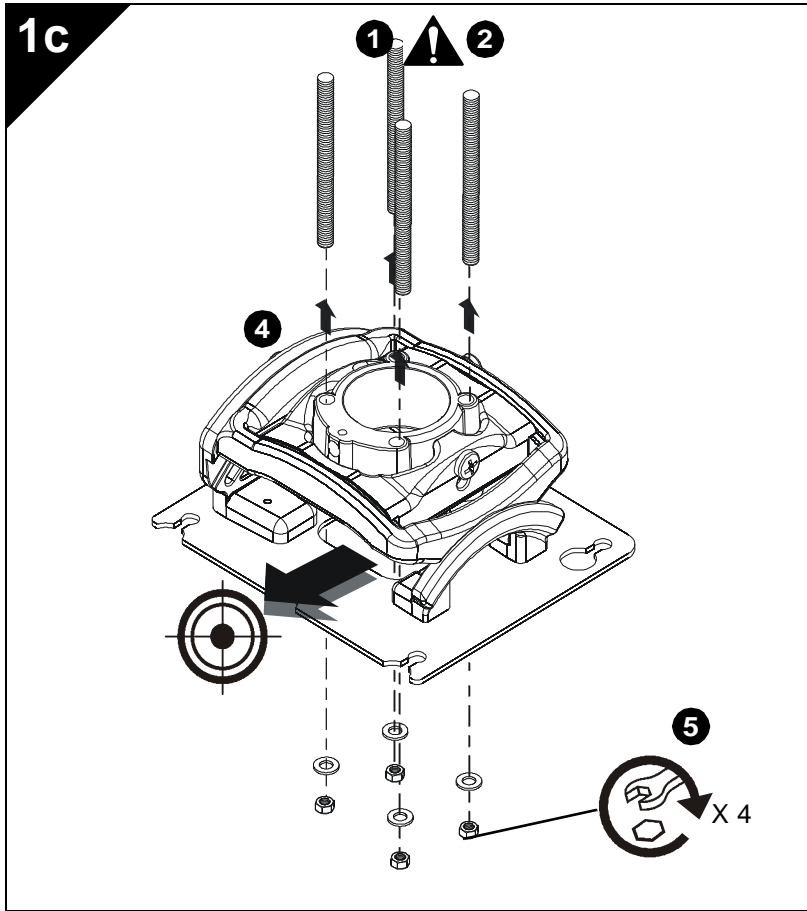
2. Using the RPM as a guide, mark four mounting hole locations on ceiling using a pencil or similar tool.
3. Drill four 3/8" (10mm) dia. pilot holes to a depth of 2-1/2" (64mm) deep.

4. Align four mounting holes in RPM with four pilot holes.

**IMPORTANT ! :** Make sure mount is properly oriented towards target before securing to structure.

5. Install four Toggler A10 Alligator concrete anchors (not included) by inserting into pilot holes and pounding in until flush with mounting surface.
6. Secure RPM to structure using four 1/4" flat washers and four 1/4" x 3" lag bolts. (not included)





**Threaded Rod Installation**

The RPM can be secured to unistrut, angle or channel assembly overhead structural members (trusses or I-beams) using four 1/4" diameter threaded rods.

**WARNING:** IMPROPER INSTALLATION CAN RESULT IN SERIOUS PERSONAL INJURY OR DAMAGE TO EQUIPMENT! Structural members **MUST** be capable of supporting five times the combined weight of all equipment being mounted.

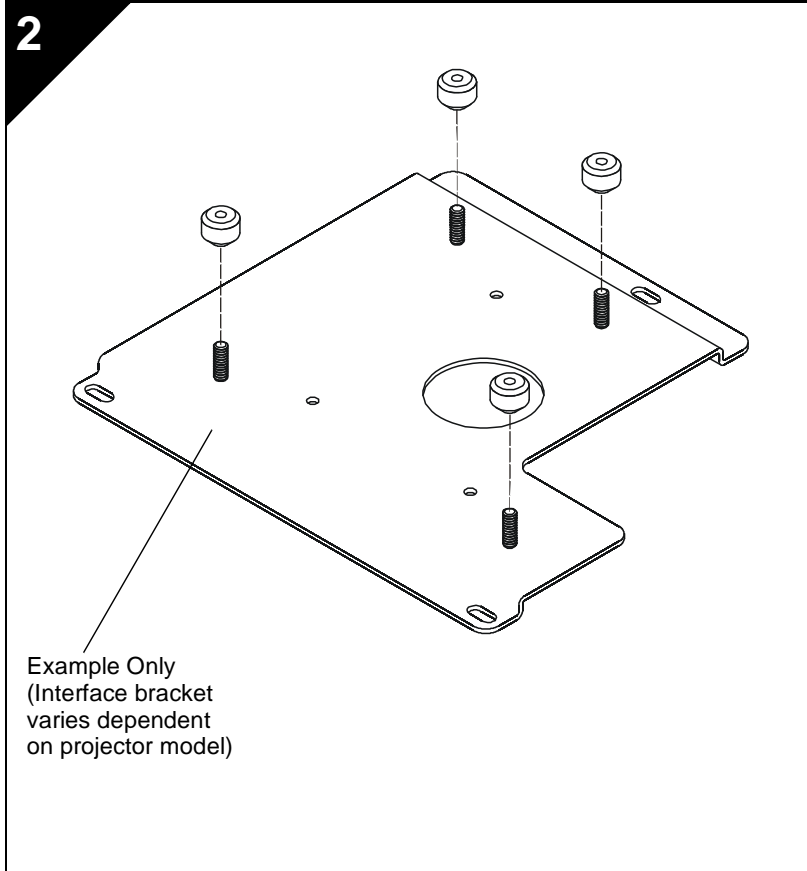
1. Carefully determine required mount position. **IMPORTANT ! :** This will require knowing the lens to screen distance. See projector specifications for determining this distance.

**NOTE:** Threaded rod and installation hardware not included.

2. Secure one end of the threaded rod to the structural member.
3. Install four 1/4-20 jam nuts on each threaded rod.
4. Install the RPM on the threaded rod.

**NOTE:** Hole in the RPM allows socket wrench access without unit disassembly.

5. Secure the RPM to the threaded rod using four 1/4-20 nuts.



**PROJECTOR INSTALLATION**

**IMPORTANT ! :** Model RPM uses Chief "SLB" Series interface brackets and Models RPMA, RPMB and RPMC use Chief "SLM" Series interface brackets.

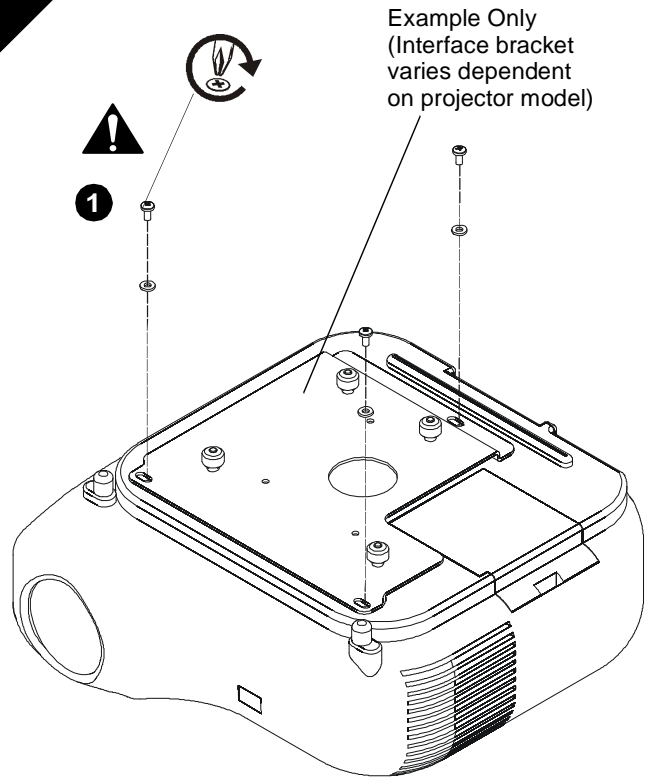
**Install Interface Bracket**

**NOTE:** If a model RPMA, RPMB, or RPMC is being installed, the interface bracket will be shipped with thumb nuts attached and locked into place. If this is the case proceed to Step 2a. Both the interface bracket and amount of hardware will vary dependent on projector model.

1. Partially thread thumb nuts onto Phillips flat head screws until screw end is visible in top of thumb screw.

**IMPORTANT ! :** DO NOT fully tighten thumb screws at this time.

2a

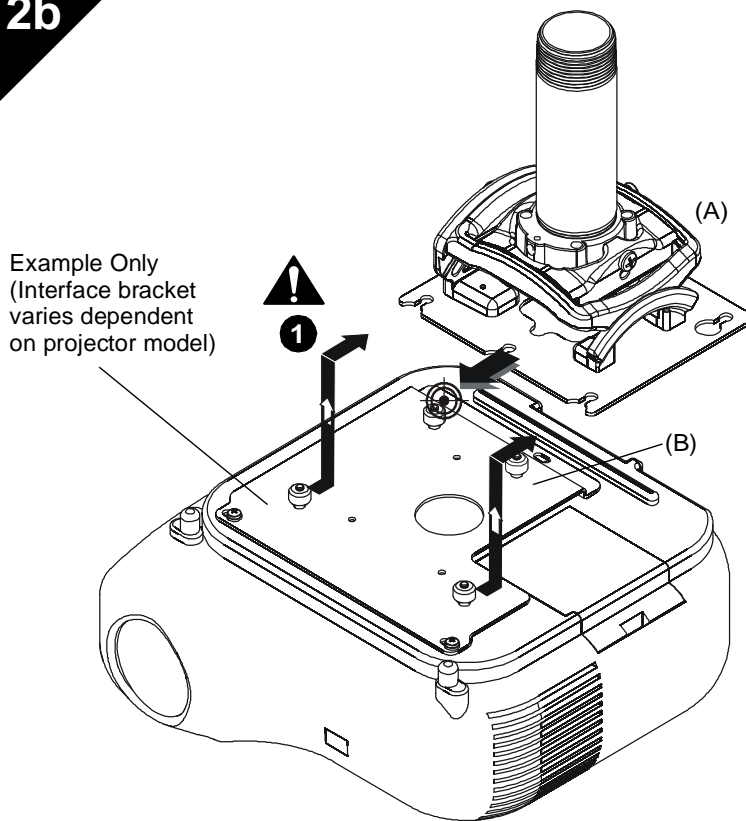


**WARNING:** IMPROPER INSTALLATION CAN LEAD TO PROJECTOR FALLING RESULTING IN SERIOUS PERSONAL INJURY OR DAMAGE TO EQUIPMENT. DO NOT substitute hardware. Use only the hardware provided by the manufacturer.

1. Secure interface bracket to mount using installation instructions and hardware provided with interface bracket.

**NOTE:** Interface brackets can be installed using the optional All-Points Security Kit from Chief. Contact a Chief customer service representative for additional information.

2b



**Install Projector With Interface Bracket**

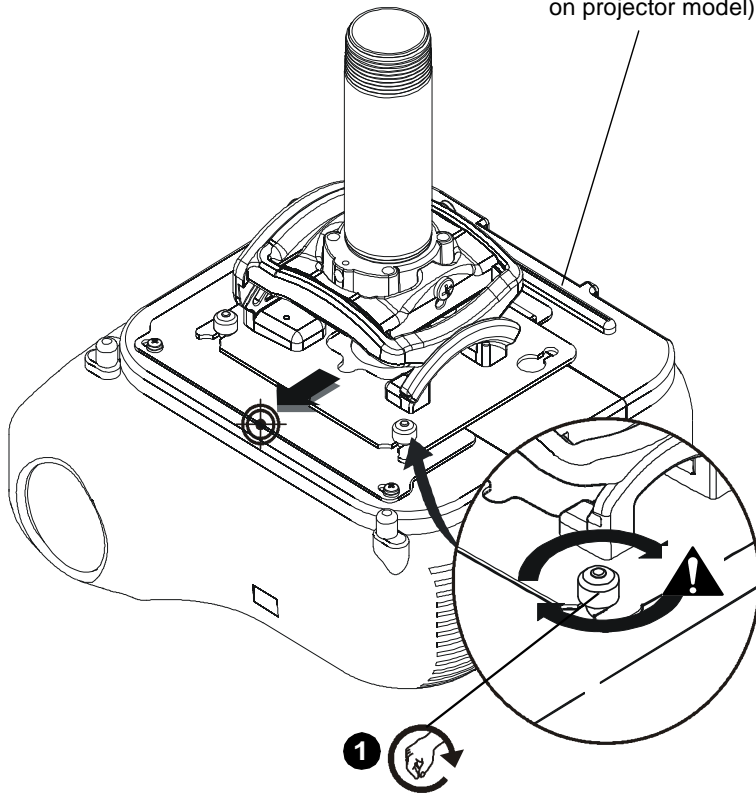
1. Orient projector with interface bracket as shown in figure 2b at left.
2. Lift projector so that screws with thumb nuts are aligned with mounting slots in mount base.
3. Slide projector with mounting bracket onto mounting slots in mount base until screws are seated against the back of mounting slots. See figure 2b and 2c.



**WARNING:** IMPROPER INSTALLATION CAN LEAD TO PROJECTOR FALLING RESULTING IN SERIOUS PERSONAL INJURY OR DAMAGE TO EQUIPMENT. Make certain mounting slots in mount base slide under thumb screws and that screws are seated in the back of slots.

2c

Example Only  
(Interface bracket  
varies dependent  
on projector model)



### Securing Projector with Interface Bracket to Model RPM Mount.



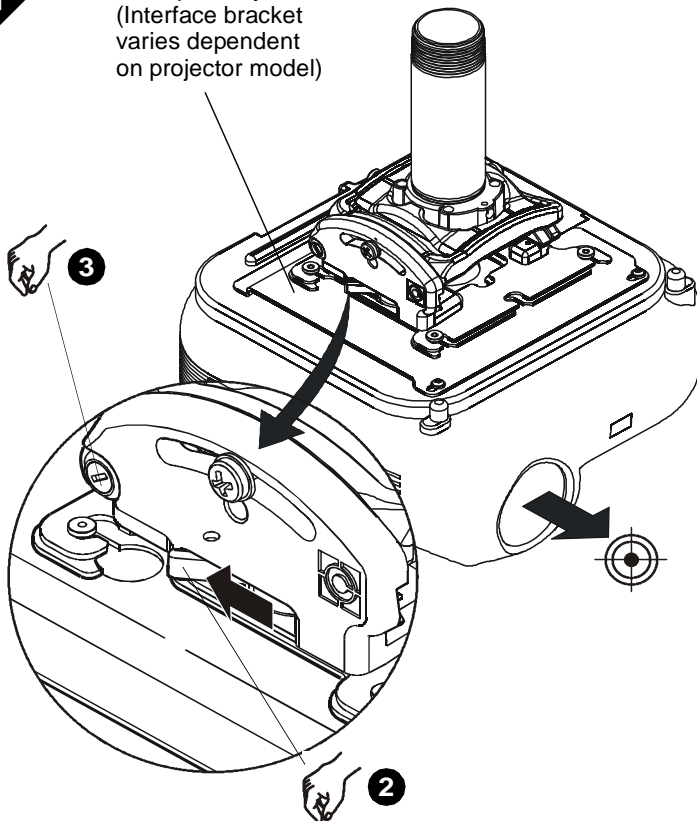
**WARNING:** IMPROPER INSTALLATION CAN LEAD TO PROJECTOR FALLING RESULTING IN SERIOUS PERSONAL INJURY OR DAMAGE TO EQUIPMENT. Make certain mounting slots in mount base slide under thumb screws and that screws are seated in the back of slots.

1. Turn thumb nuts until tight to secure projector to mount.

**NOTE:** This step applies only to Model RPM. See the procedure below and figure 2d for instruction on securing Models RPMA, RPMB and RPMC to interface bracket.

2d

Example Only  
(Interface bracket  
varies dependent  
on projector model)

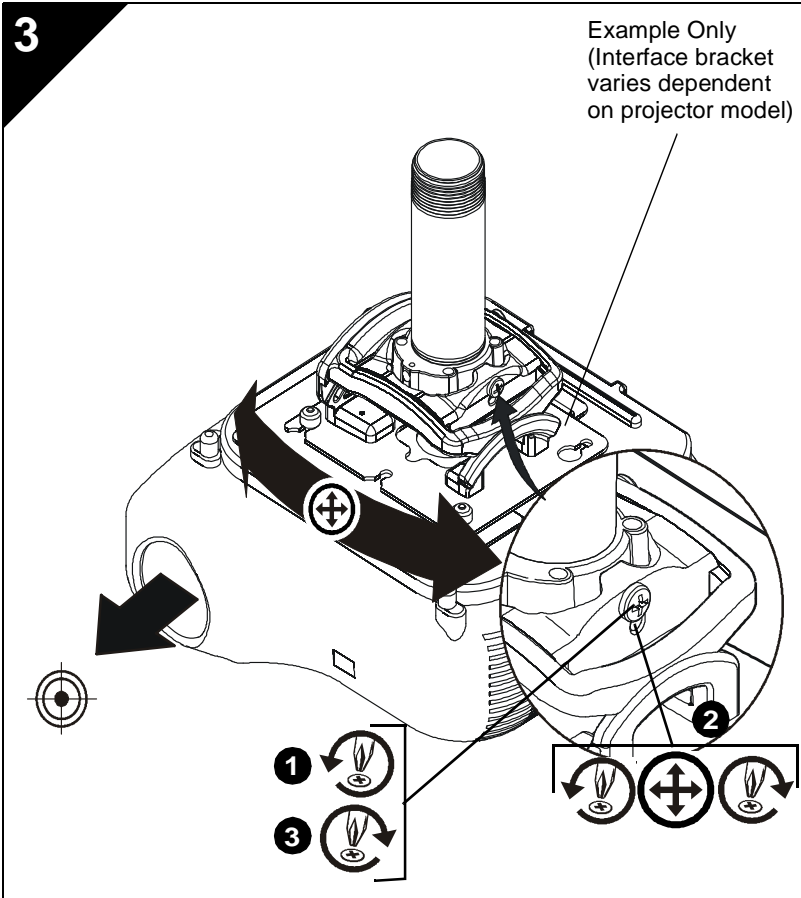


### Securing Projector with Interface Bracket to Model RPMA, RPMB and RPMC Mounts.



**WARNING:** IMPROPER INSTALLATION CAN LEAD TO PROJECTOR FALLING RESULTING IN SERIOUS PERSONAL INJURY OR DAMAGE TO EQUIPMENT. Make certain mounting slots in mount base slide under thumb screws and that screws are seated in the back of slots.

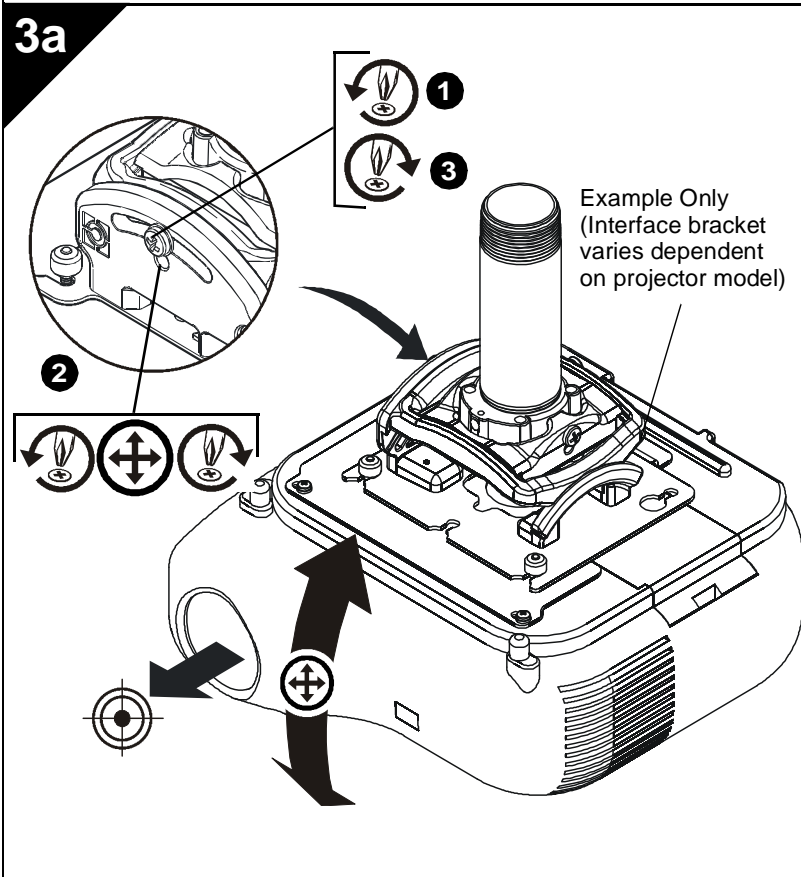
1. Verify mounting screws are properly seated in mounting slots in mount base.
2. Move locking lever to "Locked" position as shown in figure 2d at left.
3. Insert key into lock and turn to secure projector to mount.



**ADJUSTMENTS**

**YAW Adjustment**

1. Loosen YAW adjustment locking screw using a #2 Phillips screwdriver.
2. Turn YAW micro-adjustment screw right or left using a #2 Phillips screwdriver until image is properly aligned on target.
3. Tighten YAW adjustment locking screw using a #2 Phillips screwdriver.

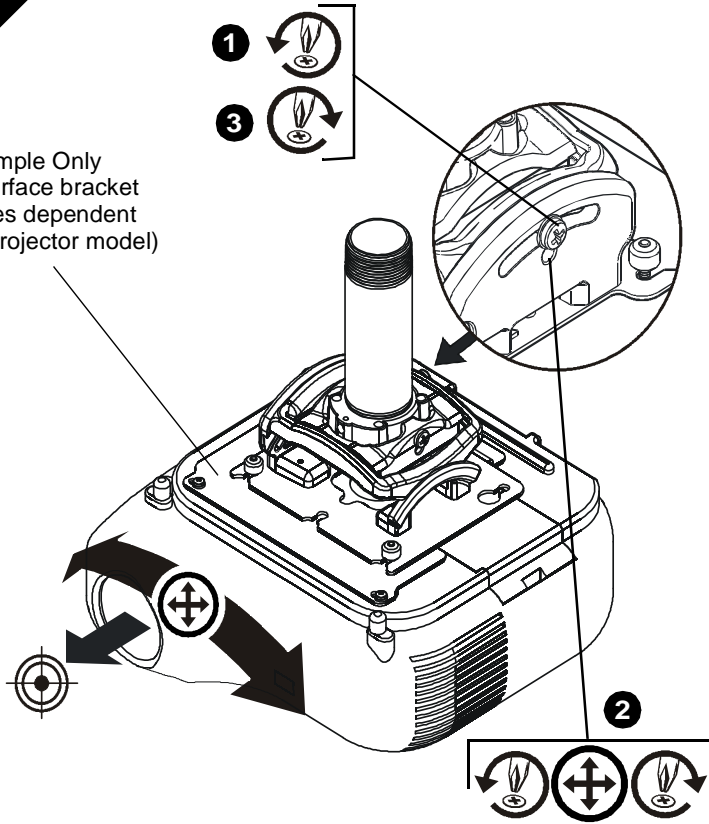


**Pitch Adjustment**

1. Loosen PITCH adjustment locking screw using a #2 Phillips screwdriver.
2. Turn PITCH micro-adjustment screw right or left using a #2 Phillips screwdriver until image is properly aligned on target.
3. Tighten PITCH adjustment locking screw using a #2 Phillips screwdriver.

**3b**

Example Only  
(Interface bracket  
varies dependent  
on projector model)



**Roll Adjustment**

1. Loosen ROLL adjustment locking screw using a #2 Phillips screwdriver.
2. Turn ROLL micro-adjustment screw right or left using a #2 Phillips screwdriver until image is properly aligned on target.
3. Tighten ROLL adjustment locking screw using a #2 Phillips screwdriver.



CHIEF | SANUS AUDIO VISUAL



**MANUFACTURERS  
DECLARATION OF CONFORMITY**  
For

**Product identification:**

Model/type : RPM  
 Category (description) : Mounting devices, Stands and other Accessories, to be used with entertainment electronics  
 Brand : Chief

**Manufacturer:** CSAV Inc.  
 8401 Eagle Creek Parkway  
 Savage, MN 55378

**EU Representative:** CSAV Inc.  
 Fellenoord 130 5611  
 ZB Eindhoven  
 The Netherlands  
 31 (0)20 5708923

Concerning				
	EMC	Safety		
A sample of the product has been tested by:	Not Applicable	CSAV Inc.		
Test report reference	.			
Applied standards		EN 60065 :2002		

**Means of conformity**

We declare under our sole responsibility that this product is in conformity with Directive 93/68/EEC (Marking), 98/37/EC (Machinery) 2001/95/EC (Safety) and/or complies to the essential requirements and all other relevant provisions of the based on test results using (non)harmonized standards in accordance with the Directives mentioned



Our Mounts. **Your Vision.**

Chief Manufacturing, a products division of Milestone AV Technologies

8832-000157 Rev D  
©2009 Milestone AV Technologies, a  
Duchossois Group Company  
[www.chiefmfg.com](http://www.chiefmfg.com)  
08/09

**USA/International**

**A** 8401 Eagle Creek Parkway, Savage, MN 55378  
**P** 800.582.6480 / 952.894.6280  
**F** 877.894.6918 / 952.894.6918

**Europe**

**A** Fellenoord 130 5611 ZB EINDHOVEN, The Netherlands  
**P** +31 (0)40 2668620  
**F** +31 (0)40 2668615

**Asia Pacific**

**A** Room 24F, Block D, Lily YinDu International Building  
LuoGang, BuJi Town, Shenzhen, CHINA.  
**深圳市布吉罗岗村百合银都国际大厦D栋24F**  
**P** +86-755-8996 9226  
**F** +86-755-8996 9217

